


SUBCON-PLUS-PROFIB/AX

Order No.: 2744377



<http://eshop.phoenixcontact.de/phoenix/treeViewClick.do?UID=2744377>

D-SUB connector, 9-pos., male connector, axial version with two cable entries, bus system: PROFIBUS DP up to 12 Mbps, termination resistor can be switched on via slide switch, pin assignment: 3, 5, 6, 8; spring-cage connection terminal blocks

Commercial data	
GTIN (EAN)	 4 017918 818135
sales group	H631
Pack	1 pcs.
Customs tariff	85366990
Catalog page information	Page 405 (IF-2002)

Product notes

WEEE/RoHS-compliant since:
09/27/2006



<http://www.download.phoenixcontact.com>
Please note that the data given here has been taken from the online catalog. For comprehensive information and data, please refer to the user documentation. The General Terms and Conditions of Use apply to Internet downloads.

Technical data	
General data	
Nominal voltage U_N	60 V AC/DC
Nominal current I_N	1 A
Termination resistor	390 Ω - 220 Ω - 390 Ω (switchable)

Bus system	PROFIBUS DP
Insertion/withdrawal cycles	> 200
Max. cable diameter	8.4 mm
Min. cable diameter	7.6 mm
SUBCON fixing screws	4-40 UNC
Tightening torque	0.4 Nm
Ambient temperature (operation)	-20 °C ... 70 °C
Ambient temperature (storage/transport)	-25 °C ... 80 °C
Housing material	ABS, metal-plated
Pin assignment	3, 5, 6, 8
Width	17 mm
Height	58.2 mm
Length	31.5 mm

Connection data

Connection	D-SUB connection
Number of positions	9
Connection method	D-SUB connector
Termination resistor	220 Ω (Can be connected externally)
Connection	PCB connection
Connection method	Spring-cage connection
Termination resistor	390 Ω (Can be connected externally)
Conductor cross section solid min.	0.12 mm ²
Conductor cross section solid max.	0.5 mm ²
Conductor cross section AWG/kcmil min.	28
Conductor cross section AWG/kcmil max	20
Stripping length	5 mm
Tightening torque	0.4 Nm

Certificates / Approvals



Certification

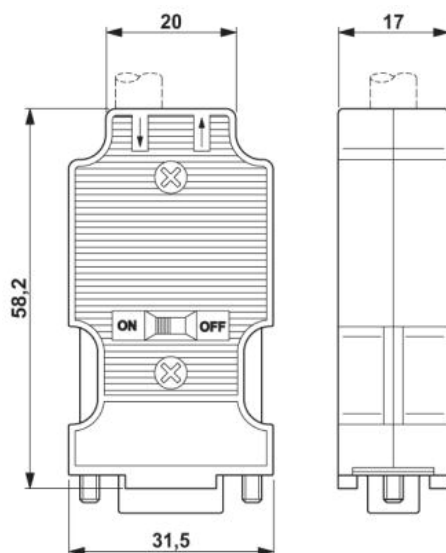
CUL, GOST, UL

Accessories

Item	Designation	Description
Cable/conductor		
2744652	PSM-CABLE-PROFIB/FC	PROFIBUS cable, Fast Connect type, up to 12 Mbps (02YSY (ST)CY 1x2x22 AWG)
Tools		
2744623	PSM-STRIP-FC/PROFIB	Quick stripping tool for PROFIBUS cable, type Fast Connect
1204384	QUICK WIREFOX 6	Stripping tool for cables with PVC insulation, stripping range: 0.08 to 6 mm ² , wire cutting up to 6 mm ² flexible or 4 mm ² rigid

Diagrams/Drawings

Dimensioned drawing



Address

PHOENIX CONTACT Inc., USA
586 Fulling Mill Road
Middletown, PA 17057, USA
Phone (800) 888-7388
Fax (717) 944-1625
<http://www.phoenixcon.com>



© 2011 Phoenix Contact
Technical modifications reserved;