

MT-RS485


Order No.: 2762265

The illustration shows version MT-RS485/S



<http://eshop.phoenixcontact.de/phoenix/treeViewClick.do?UID=2762265>

Rail-mountable module with surge voltage coarse and fine protection for RS-485 interface, for mounting on NS 35/7.5, housing width: 50 mm

Commercial data	
GTIN (EAN)	 4 017918 064945
sales group	J420
Pack	5 pcs.
Customs tariff	85363010
Catalog page information	Page 100 (TT-2002)

Product notes

WEEE/RoHS-compliant since:
04/12/2006



<http://www.download.phoenixcontact.com>
Please note that the data given here has been taken from the online catalog. For comprehensive information and data, please refer to the user documentation. The General Terms and Conditions of Use apply to Internet downloads.

Technical data	
General	
Color	black
Ambient temperature (operation)	-40 °C ... 60 °C
Mounting type	DIN rail: 35 mm
Design	Rail-mountable module, one-piece

Degree of protection	IP20
Direction of action	Line-Line & Line-Signal Ground/Shield & Signal Ground/Shield-Earth Ground
Width	47.60 mm
Height	54.90 mm
Length	77.50 mm

Protective circuit

IEC category	C2
	C3
	D1
VDE requirement class	C2
	C3
	D1
Maximum continuous voltage U_c (wire-ground)	12 V DC
Nominal current I_N	450 mA (25°C)
Operating effective current I_c at U_c	$\leq 10 \mu\text{A}$
Nominal discharge surge current I_n (8/20) μs (Core-Core)	10 kA
Nominal discharge surge current I_n (8/20) μs (Core-Earth)	10 kA
Lightning test current (10/350) μs , peak value I_{imp}	500 A
Output voltage limitation at 1 kV/ μs (Core-Core) spike	$\leq 22 \text{ V}$
Output voltage limitation at 1 kV/ μs (Core-Earth) spike	$\leq 600 \text{ V}$
Output voltage limitation at 1 kV/ μs (Core-Core) static	$\leq 22 \text{ V}$
Output voltage limitation at 1 kV/ μs (Core-Earth) static	$\leq 600 \text{ V}$
Output voltage limitation at 1 kV/ μs (Core-GND) static	$\leq 22 \text{ V}$
Residual voltage at I_n , (conductor-conductor)	$\leq 19 \text{ V}$
Residual voltage at I_n , (conductor-GND)	$\leq 19 \text{ V}$
Protection level U_p (Core-Core)	$\leq 22 \text{ V}$
Protection level U_p (Core-Earth)	$\leq 600 \text{ V}$
Protection level U_p (Core-GND)	$\leq 22 \text{ V}$
Response time t_A (Core-Core)	1 ns

Response time tA (Core-Earth)	≤ 1 ns
	≤ 100 ns
Input attenuation aE, sym.	≤ 0.1 dB (Up to 10 kHz)
Input attenuation aE, asym.	0.8 dB (up to 0.1 MHz 50 Ω system)
	0.1 dB (up to 10 kHz 600 Ω system)
Cut-off frequency fg (3 dB), asym. (GND) in 50 Ohm system	1.3 MHz
Cut-off frequency fg (3 dB), asym. (GND) in 600 Ohm system	130 kHz
Resistance in series	4.4 Ω

Connection data

Connection method	Screw connection
Connection type IN	Screw terminal blocks
Connection type OUT	Screw terminal blocks
Screw thread	M3
Stripping length	8 mm
Conductor cross section stranded min.	0.2 mm ²
Conductor cross section stranded max.	2.5 mm ²
Conductor cross section solid min.	0.2 mm ²
Conductor cross section solid max.	4 mm ²
Conductor cross section AWG/kcmil min.	24
Conductor cross section AWG/kcmil max	12

Connection, protective circuit

Standards/regulations	IEC 61643-21
-----------------------	--------------

Certificates / Approvals



Certification

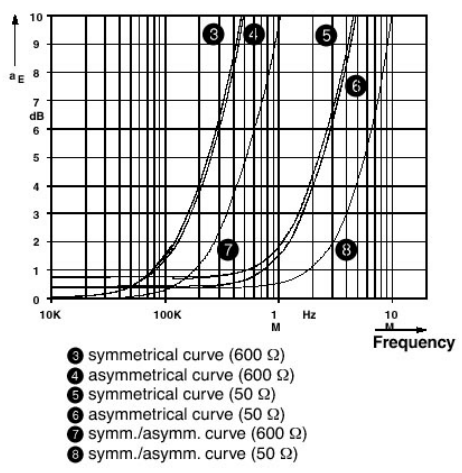
GOST

Additional products

Item	Designation	Description
Assembly		
2839295	SSA 3-6	shield fast connections for conductor diameter 3 - 6 mm. Potential connection cable: 200 mm, black
2839512	SSA 5-10	Shield fast connection for conductor diameters 5 - 10 mm. Potential connection cable: 200 mm, black

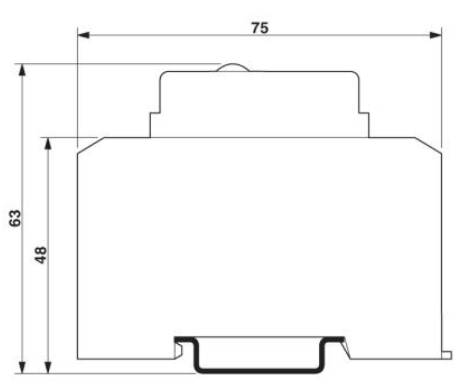
Diagrams/Drawings

Diagram

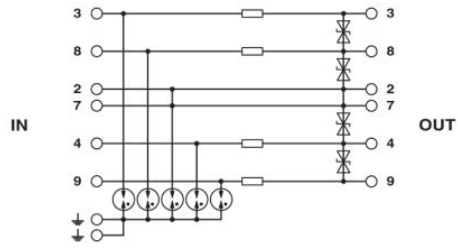


Characteristic attenuation curve

Dimensioned drawing



Circuit diagram



MT-RS485 Order No.: 2762265

<http://eshop.phoenixcontact.de/phoenix/treeViewClick.do?UID=2762265>

Address

PHOENIX CONTACT Inc., USA
586 Fulling Mill Road
Middletown, PA 17057, USA
Phone (800) 888-7388
Fax (717) 944-1625
<http://www.phoenixcon.com>



© 2011 Phoenix Contact
Technical modifications reserved;