


UEGM 25

Order No.: 2792015

Illustration shows version UEGM 22.5

<http://eshop.phoenixcontact.de/phoenix/treeViewClick.do?UID=2792015>

Electronic housing, for PCB insertion, fully equipped with 3 screw or 6
tab connections per side

Commercial data	
GTIN (EAN)	 4 017918 072520
sales group	F011
Pack	10 pcs.
Customs tariff	85369010
Catalog page information	Page 586 (CC-2011)

Product notes

WEEE/RoHS-compliant since:
01/01/2003

[http://
www.download.phoenixcontact.com](http://www.download.phoenixcontact.com)
Please note that the data given
here has been taken from the
online catalog. For comprehensive
information and data, please refer
to the user documentation. The
General Terms and Conditions of
Use apply to Internet downloads.

Certificates / Approvals



Certification

CUL, GOST, UL

Accessories

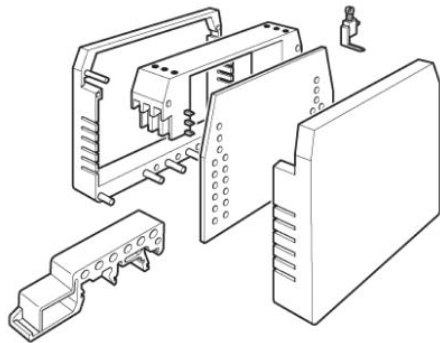
Item	Designation	Description
------	-------------	-------------

Bridges

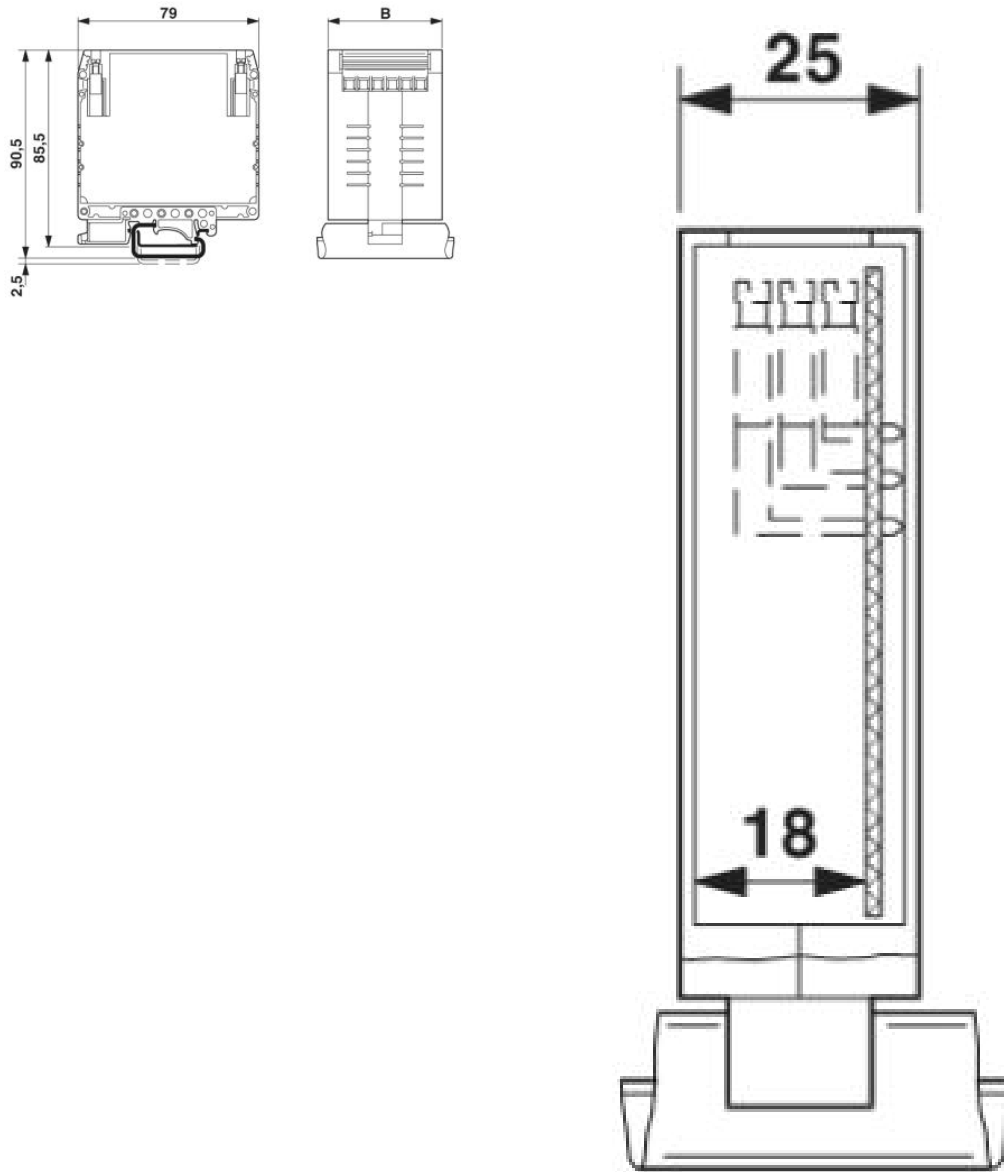
2820929	DB 50- 90 GY	Wire bridge, Color: gray
---------	--------------	--------------------------

Diagrams/Drawings

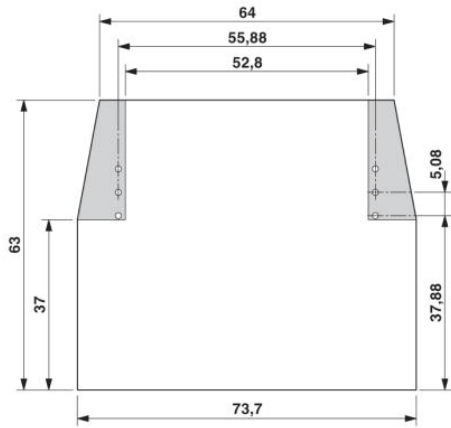
Explosion drawing



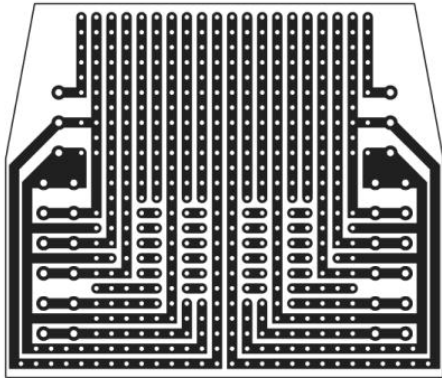
Dimensioned drawing



UEGM 25... und UEGM 27,5-SMD with 1
PCB, 6 positions or 12 positions (FS/FS)



Schematic diagram



Address

PHOENIX CONTACT Inc., USA
586 Fulling Mill Road
Middletown, PA 17057, USA
Phone (800) 888-7388
Fax (717) 944-1625
<http://www.phoenixcon.com>



© 2011 Phoenix Contact
Technical modifications reserved;