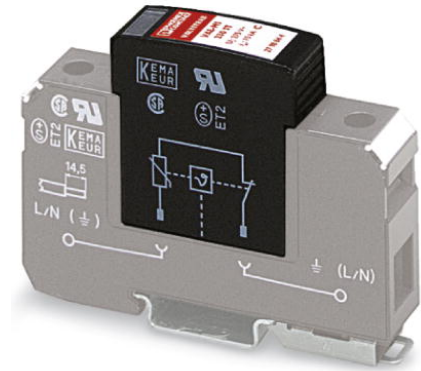


VAL-MS 230 ST


Order No.: 2798844



<http://eshop.phoenixcontact.de/phoenix/treeViewClick.do?UID=2798844>

Surge protection connector type 2 with high-capacity varistor for VAL-MS base element, thermal monitoring, visual fault warning. Design: 230 V AC



| Commercial data | |
|--------------------------|---|
| GTIN (EAN) | 4  017918 073947 |
| sales group | J022 |
| Pack | 10 pcs. |
| Customs tariff | 85363010 |
| Catalog page information | Page 36 (TT-2011) |

Product notes

WEEE/RoHS-compliant since:
05/03/2006



<http://www.download.phoenixcontact.com>
Please note that the data given here has been taken from the online catalog. For comprehensive information and data, please refer to the user documentation. The General Terms and Conditions of Use apply to Internet downloads.

Technical data

| Standards | |
|------------------------------------|-------|
| Housing material | PA |
| Inflammability class acc. to UL 94 | V0 |
| Color | black |

| | |
|--|---|
| Standards for air and creepage distances | DIN VDE 0110-1 |
| | IEC 60664-1: 1992-10 |
| | VDE 0675-6 |
| Degree of protection | IP20 |
| Mounting type | On base element |
| Design | DIN rail module, two-section, divisible |
| Number of positions | 1 |
| Ambient temperature (operation) | -40 °C ... 80 °C |
| Arrester can be tested with CHECKMASTER from software version: | From SW rev. 1.10 |
| Message: Surge protection fault | Optical |
| Direction of action | 1L-N/PE |
| Width | 17.70 mm |
| Height | 54.50 mm |
| Length | 52.40 mm |
| Pitch unit | 1 Div. |
| Protective circuit | |
| IEC category | II |
| | T2 |
| EN type | T2 |
| Nominal voltage U_N | 230 V AC |
| Arrester rated voltage U_C | 275 V AC |
| | 350 V DC |
| Nominal frequency f_N | 50 Hz (60 Hz) |
| Ground conductor current I_{PE} | ≤ 0.3 mA |
| Standby power consumption P_C | ≤ 125 mVA |
| Max. discharge surge current I_{max} (8/20) μ s | 40 kA |
| Nominal discharge surge current I_n (8/20) μ s | 20 kA |
| Lightning test current (10/350) μ s, peak value I_{imp} | 3 kA |
| Max. energy absorption (2 ms) | 550 J |
| Protection level U_p | ≤ 1.35 kV |
| Residual voltage | ≤ 1 kV (at 5 kA) |
| | ≤ 1.15 kV (at 10 kA) |
| | ≤ 1.35 kV (at I_n) |
| | ≤ 950 V (at 3 kA) |

| | |
|---|------------|
| Response time | ≤ 25 ns |
| Max. required backup fuse with branch wiring | 125 A (gL) |
| Short-circuit resistance I _p with max. backup fuse (effective) | 25 kA |
| Capacity | 3 nF |

Connection, protective circuit

| | |
|-------------------|--|
| Connection method | FLASHTRAB/VALVETRAB plug-in system connector |
|-------------------|--|

Standards

| | |
|-----------------------|----------------------|
| Standards/regulations | IEC 61643-1 2005 |
| | EN 61643-11/A11 2007 |
| | UL 1449 ed. 2 |

Certificates / Approvals



Certification

CB, CCA, CSA, CUL, GOST, KEMA, OEVE, UL

Accessories

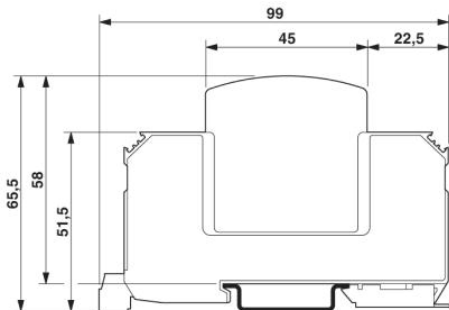
| Item | Designation | Description |
|----------------|----------------------|--|
| Marking | | |
| 1051993 | B-STIFT | Marker pen, for manual labeling of unprinted Zack strips, smear-proof and waterproof, line thickness 0.5 mm |
| 2749589 | ZBN 18,LGS:ERDE | Marking labels, printed horizontally, strips with 5 labels, GND (grounding symbol), color: White |
| 2749576 | ZBN 18,LGS:L1-N,ERDE | Marker labels, printed horizontally, strips with 5 labels, L1, L2, L3, N, GND, color: white |
| 0800763 | ZBN 18:SO/CMS | Marker labels, 5-section, special printing, labeled according to customer requirements (Please specify the required marking with order), for terminal width: 17.5 mm, color: White |
| 2809128 | ZBN 18:UNBEDRUCKT | Unprinted marker labels, strips with 5 labels for individual labeling with M-PEN or CMS system, for terminal block width: 17.5 mm, color: White |

Additional products

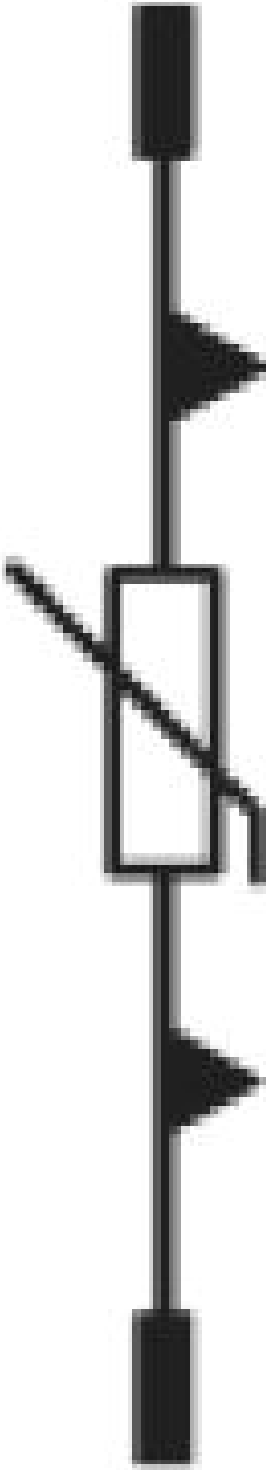
| Item | Designation | Description |
|----------------|--------------|---|
| General | | |
| 2817741 | VAL-MS BE | Base element for type 2 arresters of the VALVETRAB MS series of products. Design: 1-channel |
| 2817738 | VAL-MS BE/FM | Base element for type 2 arresters of the VALVETRAB MS series of products, with remote indication contact. Design: 1-channel |

Diagrams/Drawings

Dimensioned drawing



Circuit diagram



Address

PHOENIX CONTACT Inc., USA
586 Fulling Mill Road
Middletown, PA 17057, USA
Phone (800) 888-7388
Fax (717) 944-1625
<http://www.phoenixcon.com>



© 2011 Phoenix Contact
Technical modifications reserved;