

SUBCON-PLUS F2

Order No.: 2799490

The illustration shows version SUBCON-PLUS M 2




<http://eshop.phoenixcontact.de/phoenix/treeViewClick.do?UID=2799490>

D-SUB connector, 9-pos. female connector, two cable entries < 35°, bus system: CAN, SUCONET K1, K2 (MOELLER), S-BUS (Saia), J-BUS (Merlin Gerin), pin assignment: 2, 3, 4, 5, 7, 9 to two screw connection terminal blocks

RS-485 

Commercial data

GTIN (EAN)	 4 017918 156305
sales group	H631
Pack	1 pcs.
Customs tariff	85366990
Catalog page information	Page 574 (IF-2011)

Product notes

WEEE/RoHS-compliant since:
06/01/2006



<http://www.download.phoenixcontact.com>
Please note that the data given here has been taken from the online catalog. For comprehensive information and data, please refer to the user documentation. The General Terms and Conditions of Use apply to Internet downloads.

Technical data

General data

Nominal voltage U_N	60 V AC/DC
Nominal current I_N	1 A

Bus system	CAN, SUCONET K1, K2 (Moeller), S-BUS (Saia), J-BUS (Merlin Gerin)
Insertion/withdrawal cycles	> 200
Max. cable diameter	10 mm
Min. cable diameter	6 mm
SUBCON fixing screws	4-40 UNC
Tightening torque	0.4 Nm
Ambient temperature (operation)	-20 °C ... 75 °C
Housing material	ABS, metal-plated
Pin assignment	2,3,4,5,7,9 on two terminal blocks
Width	16 mm
Height	44 mm
Length	60 mm

Connection data

Connection	D-SUB connection
Number of positions	9
Connection method	D-SUB socket
Tightening torque	0.4 Nm
Connection	PCB connection
Connection method	Screw connection
Conductor cross section solid min.	0.14 mm ²
Conductor cross section solid max.	1.5 mm ²
Conductor cross section stranded min.	0.14 mm ²
Conductor cross section stranded max.	1 mm ²
Conductor cross section AWG/kcmil min.	26
Conductor cross section AWG/kcmil max	16
Stripping length	5 mm
Tightening torque	0.4 Nm

Certificates / Approvals

Certification

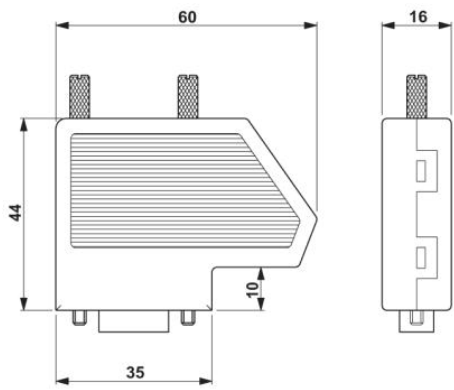
CUL, GOST, UL

Accessories

Item	Designation	Description
Assembly		
2799694	SUBCON-SHORT-SCREW	Optional mounting screw, without knurl for narrow installation conditions, slotted head, length: 40 mm, UNC 4-40 thread

Diagrams/Drawings

Dimensioned drawing



Address

PHOENIX CONTACT Inc., USA
586 Fulling Mill Road
Middletown, PA 17057, USA
Phone (800) 888-7388
Fax (717) 944-1625
<http://www.phoenixcon.com>



© 2011 Phoenix Contact
Technical modifications reserved;