

# MCR-SL-S-200-I-LP


Order No.: 2813499



<http://eshop.phoenixcontact.de/phoenix/treeViewClick.do?UID=2813499>


MCR current measuring transducer, for measuring sinusoidal and non-sinusoidal alternating currents, input current 0...200 A, loop-powered output with 4...20 mA



Commercial data	
GTIN (EAN)	 4 046356 043670
sales group	H531
Pack	1 pcs.
Customs tariff	85437090
Catalog page information	Page 717 (IF-2011)

**Product notes**

WEEE/RoHS-compliant since:  
05/31/2006



<http://www.download.phoenixcontact.com>  
Please note that the data given here has been taken from the online catalog. For comprehensive information and data, please refer to the user documentation. The General Terms and Conditions of Use apply to Internet downloads.

## Technical data

Input data	
Input	Current measuring input
Input current range	0 A ... 200 A (0...100/150/200 A)
Operate threshold	1 % (of final value)
Setting range for min. input current	0 A ... 100 A

---

Setting range for max. input current	0 A ... 200 A
Overload capacity	Depending on laid conductor
Surge strength	Depending on through connected conductor
Frequency measuring range	30 Hz ... 6000 Hz
Connection method	Clamp-on cable design, diameter 18.5 mm

#### Output data

Output name	Current output
Current output signal	4 mA ... 20 mA
Max. output current	< 25 mA
Load/output load current output	$((U_B - 12 \text{ V}) \times 350 / 12 \text{ A})$

#### Power supply

Supply voltage range	20 V DC ... 30 V DC
----------------------	---------------------

#### Connection data

Connection method	Pluggable screw connection
Conductor cross section solid min.	0.2 mm <sup>2</sup>
Conductor cross section solid max.	2.5 mm <sup>2</sup>
Conductor cross section stranded min.	0.2 mm <sup>2</sup>
Conductor cross section stranded max.	2.5 mm <sup>2</sup>
Conductor cross section AWG/kcmil min.	24
Conductor cross section AWG/kcmil max	14
Stripping length	8 mm
Screw thread	M3

#### General data

Width	55 mm
Height	85 mm
Depth	70.5 mm
Maximum transmission error	< 1 % (of final value)
Maximum temperature coefficient	< 0.025 %/K
Step response (10-90%)	< 340 ms
Ambient temperature (operation)	-20 °C ... 60 °C
Degree of protection	IP20
Surge voltage category	III
Pollution degree	2

Rated insulation voltage	300 V AC (to earth)
Test voltage input/output	5 kV (50 Hz, 1 min.)
Color	green
Housing material	Polyamide PA non-reinforced
Mounting position	Any
Conformance	CE-compliant
UL, USA / Canada	cULus

**Certificates / Approvals**

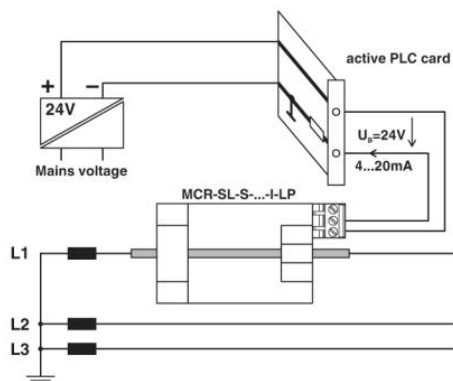


Certification CUL Listed, UL Listed  
 Certification Ex: CUL-EX LIS, UL-EX LIS

**Diagrams/Drawings**

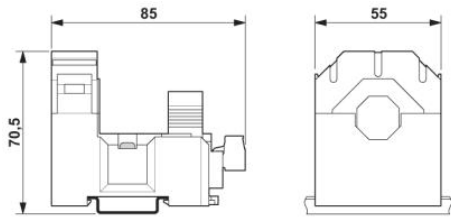
Application drawing

Current monitoring



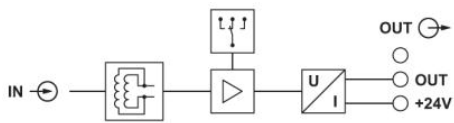
Dimensioned drawing

---



Circuit diagram

---



**Address**

PHOENIX CONTACT Inc., USA  
586 Fulling Mill Road  
Middletown, PA 17057, USA  
Phone (800) 888-7388  
Fax (717) 944-1625  
<http://www.phoenixcon.com>



© 2011 Phoenix Contact  
Technical modifications reserved;