

MCR-SLP-1-5-UI-0


Order No.: 2814359



<http://eshop.phoenixcontact.de/phoenix/treeViewClick.do?UID=2814359>


MCR passive current measuring transducer, for sinusoidal alternating currents 0..1 A AC/0..5 A AC, without switching output, output signal 0..10 V/0..20 mA



Commercial data	
GTIN (EAN)	 4 017918 148447
sales group	H532
Pack	1 pcs.
Customs tariff	85437090
Catalog page information	Page 718 (IF-2011)

Product notes

WEEE/RoHS-compliant since:
11/10/2006



<http://www.download.phoenixcontact.com>
Please note that the data given here has been taken from the online catalog. For comprehensive information and data, please refer to the user documentation. The General Terms and Conditions of Use apply to Internet downloads.

Technical data

Input data	
Input	Current measuring input 1 A
Input current range	0 A AC ... 5 A AC
Impulse form	Sine
Overload capacity	2 x I _N (5 min. at 60°C ambient temperature)

Surge strength	50 A (1 s)
Permissible output range	1.2 x I _N
Nominal frequency f _N	50 Hz
Frequency measuring range	45 Hz ... 60 Hz
Power loss	1.6 VA (at I _A = 20 mA)
Connection method	Screw connection
Input	Current measuring input 5 A
Input current range	0 A AC ... 0.005 A AC
Impulse form	Sine
Overload capacity	2 x I _N (5 min. at 60°C ambient temperature)
Surge strength	100 A (1 s)
Permissible output range	1.2 x I _N
Nominal frequency f _N	50 Hz
Frequency measuring range	45 Hz ... 60 Hz
Power loss	2.2 VA (at I = 20 mA)
Connection method	Screw connection

Output data

Output name	Voltage output
Voltage output signal	0 V ... 10 V
Max. output voltage	20 V
Load/output load voltage output	> 100 kΩ
Output name	Current output
Current output signal	0 mA ... 20 mA
Max. output current	30 mA
Load/output load current output	< 750 Ω
Residual ripple, in reference to the measured value	0.5 % (pp of measured value)

Connection data

Connection method	Screw connection
Conductor cross section solid min.	0.2 mm ²
Conductor cross section solid max.	2.5 mm ²
Conductor cross section stranded min.	0.2 mm ²
Conductor cross section stranded max.	2.5 mm ²
Conductor cross section AWG/kcmil min.	24
Conductor cross section AWG/kcmil max	14

Stripping length	8 mm
Screw thread	M3
General data	
Width	22.5 mm
Height	99 mm
Depth	114.5 mm
Maximum transmission error	< 0.5 % (of final value)
Maximum temperature coefficient	< 0.015 %/K
Step response (10-90%)	< 200 ms
Protective circuit	Transient protection in the output Suppressor diode
Ambient temperature (operation)	-25 °C ... 60 °C
Degree of protection	IP20
Surge voltage category	III
Pollution degree	2
Rated insulation voltage	300 V AC (to earth)
Test voltage input/output	4 kV (50 Hz, 1 min.)
Color	green
Housing material	Polyamide PA non-reinforced
Mounting position	< 50°C: Any; > 50°C: Vertical (installation on horizontal DIN rail)
Conformance	CE-compliant

Certificates / Approvals

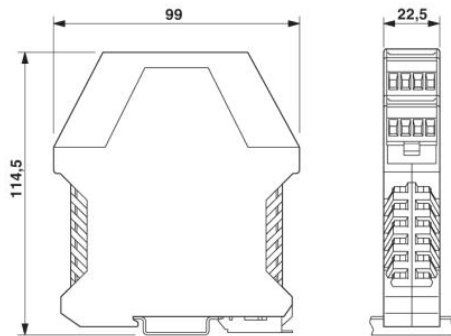


Certification

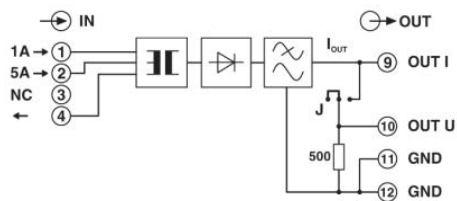
CUL, GOST, UL

Diagrams/Drawings

Dimensioned drawing



Circuit diagram



Address

PHOENIX CONTACT Inc., USA
586 Fulling Mill Road
Middletown, PA 17057, USA
Phone (800) 888-7388
Fax (717) 944-1625
<http://www.phoenixcon.com>



© 2011 Phoenix Contact
Technical modifications reserved;