

# MCR-C-U-U-DC

Order No.: 2814469

The illustration shows version MCR-C-II-00-DC




<http://eshop.phoenixcontact.de/phoenix/treeViewClick.do?UID=2814469>

MCR 3-way isolating amplifier, for electrical isolation of analog signals, input signal: 0 ... 10 V/(+/-)10 V, output signal: 0 ... 10 V/(+/-)10 V



## Commercial data

GTIN (EAN)	 4 017918 156169
sales group	H501
Pack	5 pcs.
Customs tariff	85437090
Catalog page information	Page 408 (IF-2011)

## Product notes

WEEE/RoHS-compliant since:  
04/11/2006



<http://www.download.phoenixcontact.com>  
Please note that the data given here has been taken from the online catalog. For comprehensive information and data, please refer to the user documentation. The General Terms and Conditions of Use apply to Internet downloads.

## Technical data

### Input data

Description of the input	Voltage input
Configurable/programmable	No
Voltage input signal	0 V ... 10 V -10 V ... 10 V

Max. input voltage	30 V
Input resistance of voltage input	100 k $\Omega$

#### Output data

Output name	Voltage output
Configurable/programmable	No
Voltage output signal	0 V ... 10 V -10 V ... 10 V
Max. output voltage	15 V
Load/output load voltage output	$\geq 10$ k $\Omega$
Linear transmission range (in reference to the output range end value)	-110 % ... 110 % (Bipolar signals)

#### Power supply

Supply voltage range	20 V DC ... 30 V DC
Typical current consumption	< 15 mA (without load)

#### Connection data

Connection method	Pluggable screw connection
Conductor cross section solid min.	0.2 mm <sup>2</sup>
Conductor cross section solid max.	2.5 mm <sup>2</sup>
Conductor cross section stranded min.	0.2 mm <sup>2</sup>
Conductor cross section stranded max.	2.5 mm <sup>2</sup>
Conductor cross section AWG/kcmil min.	24
Conductor cross section AWG/kcmil max	14
Stripping length	8 mm
Screw thread	M3

#### General data

No. of channels	1
Width	12.5 mm
Height	99 mm
Depth	114.5 mm
Maximum transmission error	$\leq 0.2$ % (of final value)
Transmission error, typical	< 0.1 % (of final value)
Maximum temperature coefficient	< 0.015 %/K
Limit frequency (3 dB)	30 Hz
Step response (10-90%)	11 ms

Protective circuit	Transient protection
Ambient temperature (operation)	-25 °C ... 60 °C
Test voltage, input/output/supply	1.5 kV (50 Hz, 1 min.)
Color	green
Housing material	Polyamide PA non-reinforced
Mounting position	Any
Conformance	CE-compliant

**Certificates / Approvals**



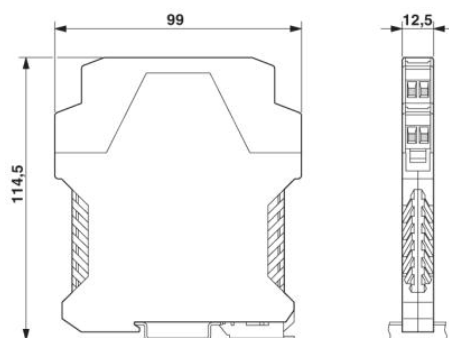
Certification CUL, GOST, UL

**Accessories**

Item	Designation	Description
<b>Bridges</b>		
2820916	DB 50- 90 BK	Wire bridge, Color: black
2821180	DB 50- 90 BU	Wire bridge, Color: blue
2820929	DB 50- 90 GY	Wire bridge, Color: gray

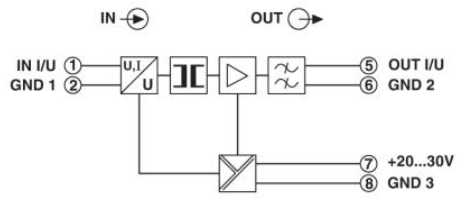
**Diagrams/Drawings**

Dimensioned drawing



Circuit diagram

---



**Address**

PHOENIX CONTACT Inc., USA  
586 Fulling Mill Road  
Middletown, PA 17057, USA  
Phone (800) 888-7388  
Fax (717) 944-1625  
<http://www.phoenixcon.com>



© 2011 Phoenix Contact  
Technical modifications reserved;