

MCR-C-I-I-00-DC


Order No.: 2814508



<http://eshop.phoenixcontact.de/phoenix/treeViewClick.do?UID=2814508>


MCR 3-way isolating amplifier, for electrical isolation of analog signals, input signal: 0(4) ... 20 mA, output signal: 0(4) ... 20 mA



Commercial data	
GTIN (EAN)	 4 017918 156190
sales group	H501
Pack	5 pcs.
Customs tariff	85437090
Catalog page information	Page 408 (IF-2011)

Product notes

WEEE/RoHS-compliant since:
04/11/2006



<http://www.download.phoenixcontact.com>
Please note that the data given here has been taken from the online catalog. For comprehensive information and data, please refer to the user documentation. The General Terms and Conditions of Use apply to Internet downloads.

Technical data

Input data	
Description of the input	Current input
Configurable/programmable	No
Current input signal	0 mA ... 20 mA
	4 mA ... 20 mA

Max. input current	50 mA
Input resistance current input	50 Ω
Output data	
Output name	Current output
Configurable/programmable	No
Current output signal	0 mA ... 20 mA
	4 mA ... 20 mA
Max. output current	30 mA
Load/output load current output	$\leq 500 \Omega$
Linear transmission range (in reference to the output range end value)	0 % ... 105 %
Power supply	
Supply voltage range	20 V DC ... 30 V DC
Typical current consumption	< 15 mA (without load)
Connection data	
Connection method	Pluggable screw connection
Conductor cross section solid min.	0.2 mm ²
Conductor cross section solid max.	2.5 mm ²
Conductor cross section stranded min.	0.2 mm ²
Conductor cross section stranded max.	2.5 mm ²
Conductor cross section AWG/kcmil min.	24
Conductor cross section AWG/kcmil max	14
Stripping length	8 mm
Screw thread	M3
General data	
No. of channels	1
Width	12.5 mm
Height	99 mm
Depth	114.5 mm
Maximum transmission error	$\leq 0.2 \%$ (of final value)
Transmission error, typical	0.1 % (of final value)
Maximum temperature coefficient	< 0.015 %/K
Limit frequency (3 dB)	30 Hz
Step response (10-90%)	11 ms

Protective circuit	Transient protection
Ambient temperature (operation)	-25 °C ... 60 °C
Test voltage, input/output/supply	1.5 kV (50 Hz, 1 min.)
Color	green
Housing material	Polyamide PA non-reinforced
Mounting position	Any
Conformance	CE-compliant

Certificates / Approvals



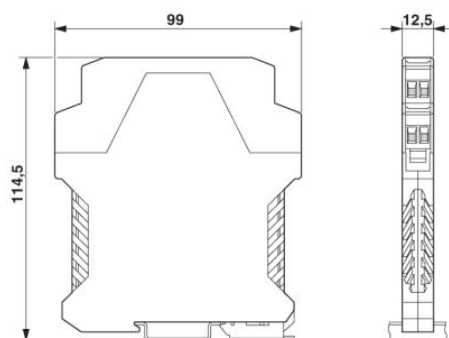
Certification CUL, GOST, UL

Accessories

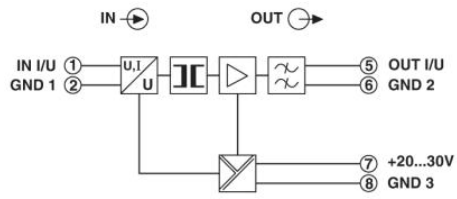
Item	Designation	Description
Bridges		
2820916	DB 50- 90 BK	Wire bridge, Color: black
2821180	DB 50- 90 BU	Wire bridge, Color: blue
2820929	DB 50- 90 GY	Wire bridge, Color: gray

Diagrams/Drawings

Dimensioned drawing



Circuit diagram



Address

PHOENIX CONTACT Inc., USA
586 Fulling Mill Road
Middletown, PA 17057, USA
Phone (800) 888-7388
Fax (717) 944-1625
<http://www.phoenixcon.com>



© 2011 Phoenix Contact
Technical modifications reserved;