


CN-UB/MP

Order No.: 2818135

<http://eshop.phoenixcontact.de/phoenix/treeViewClick.do?UID=2818135>

Tongue for attaching the CN-UB..., to housing panels, for example.

Commercial data

GTIN (EAN)	 4 017918 148362
sales group	J492
Pack	10 pcs.
Customs tariff	73269098
Catalog page information	Page 170 (TT-2011)

Product notesWEEE/RoHS-compliant since:
11/01/2005

<http://www.download.phoenixcontact.com>
Please note that the data given here has been taken from the online catalog. For comprehensive information and data, please refer to the user documentation. The General Terms and Conditions of Use apply to Internet downloads.

Technical data**General**

Mounting type	Wall mounting
---------------	---------------

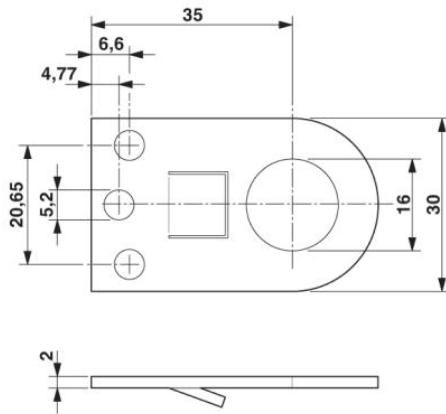
Certificates / Approvals

Certification

GOST

Diagrams/Drawings

Dimensioned drawing



Address

PHOENIX CONTACT Inc., USA
586 Fulling Mill Road
Middletown, PA 17057, USA
Phone (800) 888-7388
Fax (717) 944-1625
<http://www.phoenixcon.com>



© 2011 Phoenix Contact
Technical modifications reserved;