

PI-EX-ES-1/3


Order No.: 2835325



<http://eshop.phoenixcontact.de/phoenix/treeViewClick.do?UID=2835325>

Ex basic terminal block, with three terminal points to the field level (Ex area)



Commercial data	
GTIN (EAN)	 4 017918 164218
sales group	H780
Pack	6 pcs.
Customs tariff	85369010
Catalog page information	Page 469 (IF-2009)

Product notes

WEEE/RoHS-compliant since:
11/10/2006



<http://www.download.phoenixcontact.com>
Please note that the data given here has been taken from the online catalog. For comprehensive information and data, please refer to the user documentation. The General Terms and Conditions of Use apply to Internet downloads.

Technical data	
General data	
Nominal voltage U_N	250 V
Nom. voltage	20 V DC ... 35 V DC (See nominal voltage, PI modules)
Width	17.5 mm

Height	127.5 mm
Depth	92 mm
Housing insulation material	Polyamide PA non-reinforced, polycarbonate PC, PVC
Inflammability class acc. to UL 94	V0
Color	green
Conformance	CE-compliant
ATEX	Ex II (1) GD [EEx ia] IIC Ex II 3 G Ex nA II T4 X
Ambient temperature (operation)	-20 °C ... 60 °C
Ambient temperature (storage/transport)	-40 °C ... 85 °C

Connection data

Connection 1	To the control system level
Connection method	PCB / screw terminal block (4-pos.)
Conductor cross section stranded min.	0.2 mm ²
Conductor cross section stranded max.	2.5 mm ²
Conductor cross section solid min.	0.2 mm ²
Conductor cross section solid max.	4 mm ²
Conductor cross section AWG/kcmil min.	24
Conductor cross section AWG/kcmil max	12
Screw thread	M3
Connection 2	To the field level
Connection method	Screw connection
Conductor cross section stranded min.	0.2 mm ²
Conductor cross section stranded max.	2.5 mm ²
Conductor cross section solid min.	0.2 mm ²
Conductor cross section solid max.	2.5 mm ²
Conductor cross section AWG/kcmil min.	24
Conductor cross section AWG/kcmil max	14
Screw thread	M3
Stripping length	8 mm
Tightening torque, min	0.5 Nm
Tightening torque max	0.6 Nm

Certificates / Approvals



Certification GOST
Certification Ex: KEMA-EX, PxC-EX

Accessories

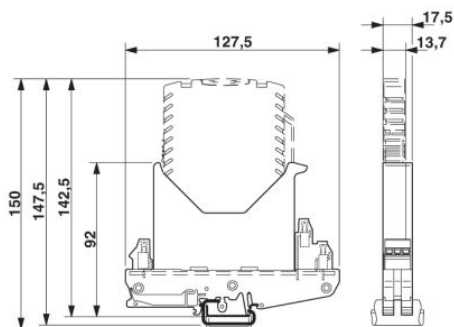
Item Designation Description

Bridges

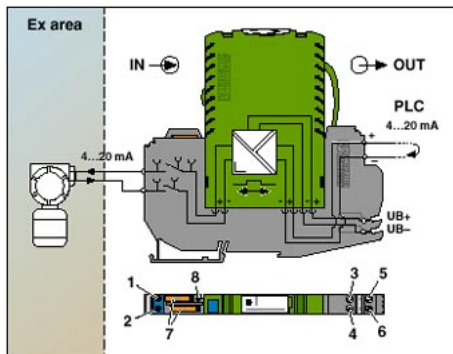
2820916	DB 50- 90 BK	Wire bridge, Color: black
2821180	DB 50- 90 BU	Wire bridge, Color: blue
2820929	DB 50- 90 GY	Wire bridge, Color: gray

Diagrams/Drawings

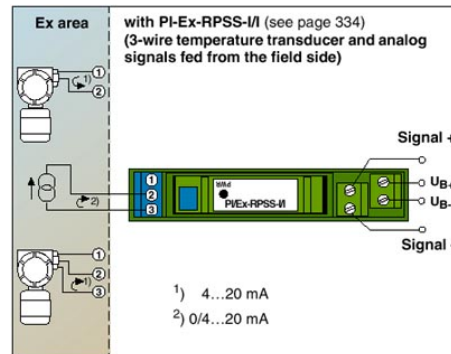
Dimensioned drawing



Circuit diagram

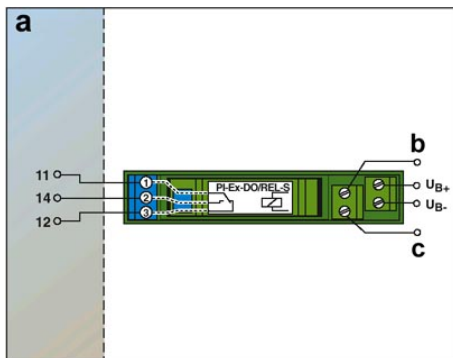


- 1 ≙ Measurement transducer supply "+"
- (Clamping screw with integrated female test connector)
- 2 ≙ Current input
- (Clamping screw with integrated female test connector)
- 3 ≙ Output signal "+"
- 4 ≙ Output signal "-"
- 5 ≙ UB+ / supply "+ 20...35 V DC
- 6 ≙ UB- / supply "-"
- 7 ≙ Disconnect knife with integrated female test connector
- 8 ≙ Female test connector

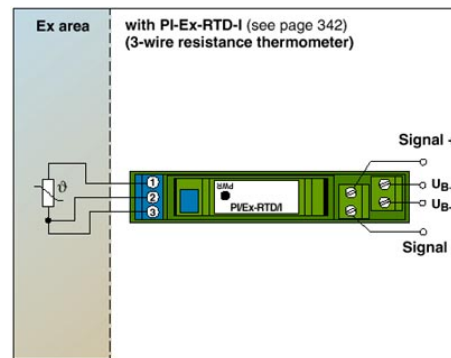


with PI-EX-RPSS-II (see page 334)
 (3-wire temperature transducer and analog signals fed from the field side)

- 1) 4...20 mA
- 2) 0/4...20 mA



- a = Ex area
- b = Control signal +
- c = Control signal -



with PI-EX-RTD-I (see page 342)
 (3-wire resistance thermometer)

Address

PHOENIX CONTACT Inc., USA
586 Fulling Mill Road
Middletown, PA 17057, USA
Phone (800) 888-7388
Fax (717) 944-1625
<http://www.phoenixcon.com>



© 2011 Phoenix Contact
Technical modifications reserved;