

# PI-EX-NAM/RNC-NE


Order No.: 2835367



<http://eshop.phoenixcontact.de/phoenix/treeViewClick.do?UID=2835367>

Ex-i binary input: NAMUR isolation amplifiers. For operating proximity sensors and switches in Ex areas. The binary signals are transmitted to a safe area. Relay output (N/C contact), line fault detection. Galvanic 3-way isolation.



Commercial data	
GTIN (EAN)	
Note	Made-to-order
sales group	H703
Pack	1 pcs.
Customs tariff	85437090
Catalog page information	Page 338 (IF-2002)

### Product notes

WEEE/RoHS-compliant since:  
11/15/2006



<http://www.download.phoenixcontact.com>  
Please note that the data given here has been taken from the online catalog. For comprehensive information and data, please refer to the user documentation. The General Terms and Conditions of Use apply to Internet downloads.

Technical data	
<b>Input data</b>	
Control current circuit	Intrinsically safe

Available input sources	NAMUR proximity sensors
	Floating switch contacts
	Switch contacts with resistance circuit
Non-load voltage	8.2 V DC $\pm$ 10 %
Switching points (attenuated)	< 1.2 mA (attenuated in acc. with EN 60947-5-6)
Switching points (unattenuated)	> 2.1 mA (non-attenuated in acc. with EN 60947-5-6)
Line error detection	Activated /deactivated via DIP switch

#### Output data

Switching output	Relay output
Configurable/programmable	Switching behavior can be inverted via DIP switch
Contact type	N/C contact
Contact material	AgSnO, hard gold-plated
Limiting continuous current	1 A (30 V DC)
	0.5 A (125 V AC)
Min. contact current	1 mA
Mechanical service life	10 <sup>7</sup> cycles
Service life, electrical	2 x 10 <sup>5</sup> cycles with full load

#### Power supply

Supply voltage range	20 V DC ... 30 V DC
Max. current consumption	max. 40 mA
Power consumption	max. 0.8 W (24 V)

#### General data

No. of channels	1
Test voltage input/output	1.5 kV AC
Insulation voltage input/output/supply	0.25 kV <sub>rms</sub>
Ambient temperature (operation)	-20 °C ... 60 °C (vertical assembly)
	-20 °C ... 55 °C (horizontal assembly)
Ambient temperature (storage/transport)	-40 °C ... 80 °C
Permissible humidity (operation)	5 % ... 95 % (relative humidity, no condensation)
Status display	Green LED (supply voltage)
	Yellow LED (status display)
	Red LED (line errors)
Width	12.4 mm
Height	145 mm

---

Depth	147 mm
Inflammability class acc. to UL 94	V0
Electromagnetic compatibility	Conformance with EMC directive 89/336/EC
Emitted interference	EN 61326:1997
Noise immunity	EN 61326:1997
Housing material	Polyamide PA non-reinforced
Color	green

**Safety data**

Max. voltage $U_o$	10.6 V
Max. current $I_o$	33 mA
Max. power $P_o$	86 mW
Gas group	II A
Max. external inductivity $L_o$	230 mH
Max. external capacity $C_o$	72.9 $\mu$ F
Gas group	II B
Max. external inductivity $L_o$	110 mH
Max. external capacity $C_o$	16.2 $\mu$ F
Gas group	II C
Max. external inductivity $L_o$	30 mH
Max. external capacity $C_o$	2.3 $\mu$ F
EEX specification	[EEx ia] IIC, EX II (1)GD, KEMA 00 ATEX 1126

**Certificates / Approvals**



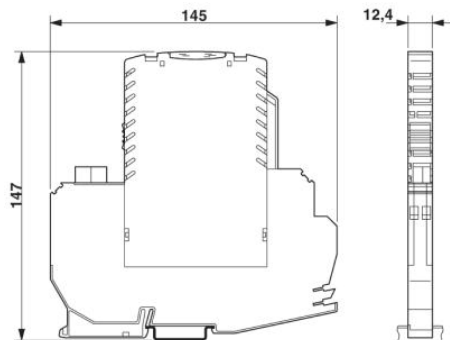
Certification	GOST
Certification Ex:	KEMA-EX

**Additional products**

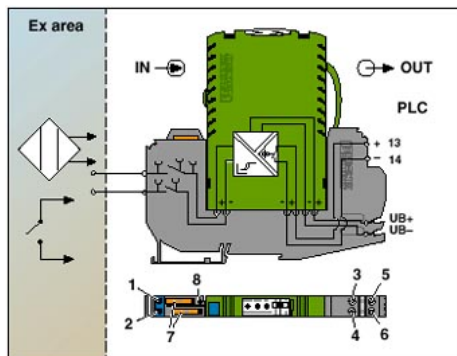
Item	Designation	Description
<b>General</b>		
2835325	PI-EX-ES-1/3	Ex basic terminal block, with three terminal points to the field level (Ex area)
2835901	PI-EX-TB	Ex base terminal block for intrinsically safe signals with knife disconnection and test connections
2858386	TT-PI-EX-TB	Intrinsically safe basic terminal block with isolating connector, test connections and surge protection, for mounting on NS 35/7.5

**Diagrams/Drawings**

Dimensioned drawing



Circuit diagram



- 1 ≙ input "+"
- (Clamping screw with integrated female test connector)
- 2 ≙ input "•"
- (Clamping screw with integrated female test connector)
- 3 ≙ Output
- 4 ≙ Output
- 5 ≙ U<sub>B+</sub> / supply "+", 20...35 V DC
- 6 ≙ U<sub>B-</sub> / supply "-",
- 7 ≙ Disconnect knife with integrated female test connector
- 8 ≙ Female test connector

**Address**

PHOENIX CONTACT Inc., USA  
586 Fulling Mill Road  
Middletown, PA 17057, USA  
Phone (800) 888-7388  
Fax (717) 944-1625  
<http://www.phoenixcon.com>



© 2011 Phoenix Contact  
Technical modifications reserved;