


C-TV-SAT

Order No.: 2856993

<http://eshop.phoenixcontact.de/phoenix/treeViewClick.do?UID=2856993>Attachment plug with surge protection for antenna inputs with F
connector

Commercial data	
GTIN (EAN)	 4 017918 915179
sales group	J401
Pack	1 pcs.
Customs tariff	85363010
Catalog page information	Page 177 (TT-2011)

Product notesWEEE/RoHS-compliant since:
06/09/2006

<http://www.download.phoenixcontact.com>
Please note that the data given here has been taken from the online catalog. For comprehensive information and data, please refer to the user documentation. The General Terms and Conditions of Use apply to Internet downloads.

Technical data	
General	
Housing material	PA
Inflammability class acc. to UL 94	V0
Color	black

Standards for air and creepage distances	DIN VDE 0110-1
	IEC 60664-1: 1992-10
Surge voltage category	II
Pollution degree	2
Total surge current (8/20) μ s	2.5 kA
Ambient temperature (operation)	-25 °C ... 75 °C
Mounting type	Connection-specific intermediate plugging
Design	Attachment plug
Number of positions	1
Degree of protection	IP20
Direction of action	Line-Shield/Earth Ground
Width	27.00 mm
Height	69.00 mm
Length	40.00 mm

Protective circuit

IEC category	C1
	C2
	C3
	D1
Maximum continuous operating voltage U_c	180 V DC
	130 V AC
Maximum continuous voltage U_c (wire-shield)	180 V DC
Nominal current I_N	1.5 A (25°C)
Operating effective current I_c at U_c	$\leq 1 \mu$ A
Nominal discharge surge current I_n (8/20) μ s (Core-Shield)	2.5 kA
Total surge current (8/20) μ s	2.5 kA
Nominal pulse current I_{an} (10/1000) μ s (Core-Shield)	120 A
Output voltage limitation at 1 kV/ μ s (Core-Shield) spike	≤ 600 V
Output voltage limitation at 1 kV/ μ s (Core-Shield) static	≤ 600 V
Residual voltage at I_n , (conductor-shield)	≤ 30 V
Protection level U_p (Core-Shield)	≤ 700 V (C2 (4 kV/2 kA))
Response time t_A (Core-GND)	≤ 100 ns

Input attenuation aE, asym.	0.5 dB (\leq 2.4 GHz)
Cut-off frequency fg (3 dB), asym. (shield) in 75 Ohm system	> 3 GHz
Frequency range	950 MHz ... 2.5 GHz
Capacity asymmetrical (shield)	Typ. 10 pF
Surge carrying capacity in acc. with IEC 61643-21 (Core-Shield)	C2 (4 kV / 2 kA)
	C3 (100 A)
	D1 (500 A)
Alternating current carrying capacity in acc. with IEC 61643-21 (Core-Shield)	5 A - 1 s

Connection data

Connection method	F connector
Connection type IN	F connector, female
Connection type OUT	F connector, female

Connection, protective circuit

Standards/regulations	IEC 61643-21
	EN 50083 - CLASS A

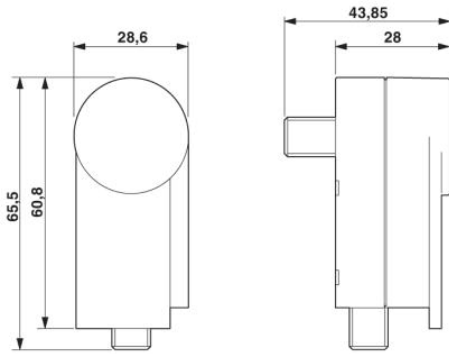
Certificates / Approvals

Certification

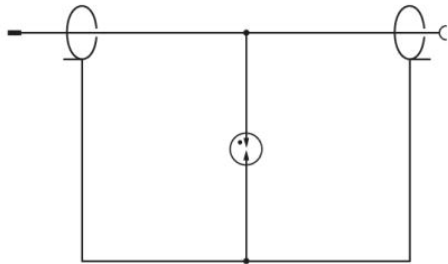
GOST

Diagrams/Drawings

Dimensioned drawing



Circuit diagram



Address

PHOENIX CONTACT Inc., USA
586 Fulling Mill Road
Middletown, PA 17057, USA
Phone (800) 888-7388
Fax (717) 944-1625
<http://www.phoenixcon.com>



© 2011 Phoenix Contact
Technical modifications reserved;