


MCR-SL-D-FIT

Order No.: 2864024



<http://eshop.phoenixcontact.de/phoenix/treeViewClick.do?UID=2864024>

MCR digital display, for measuring and displaying frequencies, pulses and times, 6-fig. display

Commercial data	
GTIN (EAN)	 4 017918 976477
sales group	H565
Pack	1 pcs.
Customs tariff	90291000
Catalog page information	Page 385 (IF-2009)

Product notes

WEEE/RoHS-compliant since:
02/11/2006



<http://www.download.phoenixcontact.com>
Please note that the data given here has been taken from the online catalog. For comprehensive information and data, please refer to the user documentation. The General Terms and Conditions of Use apply to Internet downloads.

Technical data	
Input data	
Input resistance of voltage input	10 k Ω
Switching output	
Output name	1 NPN optocoupler
Maximum switching voltage	30 V DC

Power supply

Supply voltage range	10 V DC ... 30 V DC
Max. current consumption	max. 40 mA

General data

Width	48 mm
Height	24 mm
Depth	68 mm
Ambient temperature (operation)	-20 °C ... 65 °C
Ambient temperature (storage/transport)	-25 °C ... 70 °C
Degree of protection	IP65 from the front
Color	black
Housing material	Macrolon 2405
Conformance	CE-compliant
UL, USA / Canada	UL 508 Recognized

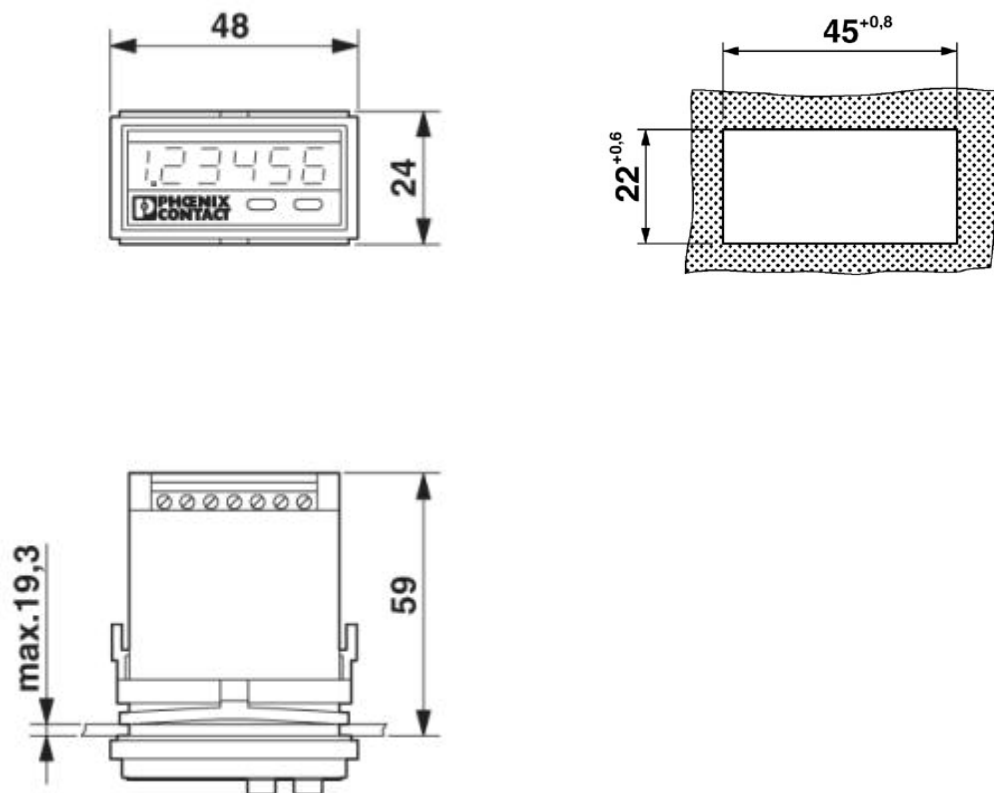
Certificates / Approvals



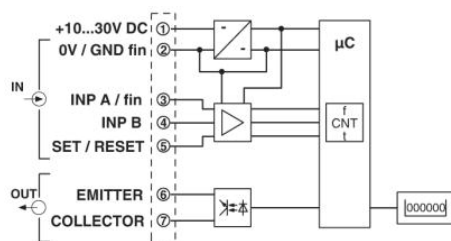
Certification CUL, UL

Diagrams/Drawings

Dimensioned drawing



Circuit diagram



Address

PHOENIX CONTACT Inc., USA
586 Fulling Mill Road
Middletown, PA 17057, USA
Phone (800) 888-7388
Fax (717) 944-1625
<http://www.phoenixcon.com>



© 2011 Phoenix Contact
Technical modifications reserved;