

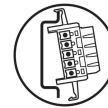
MINI MCR-SL-PT100-UI-200-NC

Order No.: 2864370




<http://eshop.phoenixcontact.de/phoenix/treeViewClick.do?UID=2864370>

MCR temperature transducer, configurable, for Pt 100 temperature sensors, with screw-connection, not configured



Commercial data

GTIN (EAN)	 4 046356 046480
sales group	H523
Pack	1 pcs.
Customs tariff	85437090
Catalog page information	Page 361 (IF-2011)

Product notes

WEEE/RoHS-compliant since:
04/11/2006



<http://www.download.phoenixcontact.com>
Please note that the data given here has been taken from the online catalog. For comprehensive information and data, please refer to the user documentation. The General Terms and Conditions of Use apply to Internet downloads.

Technical data

Input data

Sensor types (RTD) that can be used	Pt 100 (IEC 60751/EN 60751)
Sensor input current	1 mA (constant)
Temperature measuring range	-50 °C ... 200 °C

Connection method	2, 3, 4-wire
Output data	
Voltage output signal	0 V ... 10 V
	10 V ... 0 V
	0 V ... 5 V
	1 V ... 5 V
Current output signal	0 mA ... 20 mA
	4 mA ... 20 mA
	20 mA ... 0 mA
	20 mA ... 4 mA
Max. output voltage	Approx. 12.5 V
Max. output current	23 mA
Load/output load voltage output	> 10 k Ω
Load/output load current output	< 500 Ω (at 20 mA)
Power supply	
Nominal supply voltage	24 V DC
Supply voltage range	19.2 V DC ... 30 V DC (to bridge the supply voltage, the DIN rail connector (ME 6,2 TBUS-2 1,5/5-ST-3,81 GN, Order No. 2869728) can be used. It can be snapped onto a 35 mm DIN rail according to EN 60715)
Max. current consumption	< 21 mA (at 24 V DC)
Power consumption	< 500 mW
Connection data	
Connection method	Screw connection
Conductor cross section solid min.	0.14 mm ²
Conductor cross section solid max.	2.5 mm ²
Conductor cross section stranded min.	0.2 mm ²
Conductor cross section stranded max.	2.5 mm ²
Conductor cross section AWG/kcmil min.	26
Conductor cross section AWG/kcmil max	12
Stripping length	12 mm
Screw thread	M3
General data	
Width	6.2 mm

Height	93.1 mm
Depth	102.5 mm
Maximum temperature coefficient	< 0.02 %/K
Protective circuit	Transient protection
Ambient temperature (operation)	-20 °C ... 65 °C
Ambient temperature (storage/transport)	-40 °C ... 85 °C
Degree of protection	IP20
Electrical isolation	Basic insulation according to EN 61010
Surge voltage category	II
Pollution degree	2
Rated insulation voltage	50 V AC/DC
Test voltage, input/output/supply	1.5 kV (50 Hz, 1 min.)
Electromagnetic compatibility	Conformance with EMC Directive 2004/108/EC
Noise emission	EN 61000-6-4
Noise immunity	EN 61000-6-2:2005
Color	green
Housing material	PBT
Mounting position	Any
Conformance	CE-compliant
ATEX	Ex II 3 G Ex nA II T4 X
UL, USA / Canada	UL 508 Recognized
	Class I, Div. 2, Groups A, B, C, D T5
GL	GL EMC 2 D

Certificates / Approvals

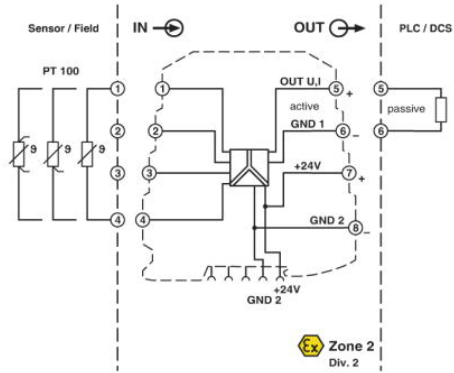


Certification CUL, GL, UL

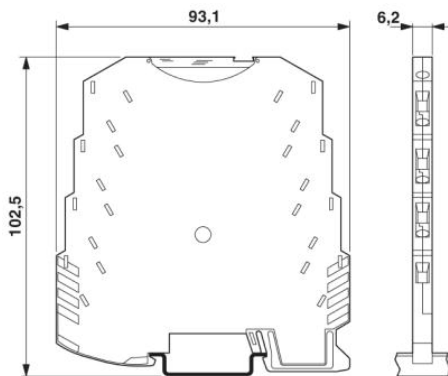
Certification Ex: CUL-EX LIS, PxC-EX, UL-EX LIS

Diagrams/Drawings

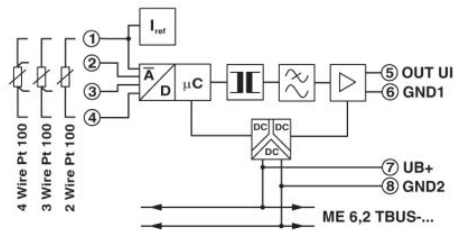
Block diagram



Dimensioned drawing



Circuit diagram



Address

PHOENIX CONTACT Inc., USA
586 Fulling Mill Road
Middletown, PA 17057, USA
Phone (800) 888-7388
Fax (717) 944-1625
<http://www.phoenixcon.com>



© 2011 Phoenix Contact
Technical modifications reserved;