

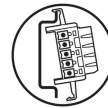
# MINI MCR-SL-UI-REL-SP

Order No.: 2864493




<http://eshop.phoenixcontact.de/phoenix/treeViewClick.do?UID=2864493>

MCR limit value switch, with adjustable hysteresis and delay time, with spring-cage connection



## Commercial data

GTIN (EAN)	 4 017918 974886
sales group	H525
Pack	1 pcs.
Customs tariff	85389091
Catalog page information	Page 367 (IF-2011)

## Product notes

WEEE/RoHS-compliant since:  
05/09/2006



<http://www.download.phoenixcontact.com>  
Please note that the data given here has been taken from the online catalog. For comprehensive information and data, please refer to the user documentation. The General Terms and Conditions of Use apply to Internet downloads.

## Technical data

### Input data

Voltage input signal	0 V ... 10 V
Current input signal	0 mA ... 20 mA
Max. input voltage	30 V

Max. input current	100 mA
Input resistance of voltage input	> 100 k $\Omega$
Input resistance current input	50 $\Omega$

#### Switching output

Output name	Relay output
Contact type	1 PDT
Contact material	AgSnO <sub>2</sub> , hard gold-plated
Maximum switching voltage	250 V AC
Limiting continuous current	2 A
Setting range of the response delay	0 s ... 10 s (0 s; 1 s; 2 s; 3 s; 4 s; 6 s; 8 s; 10 s)
Internal hysteresis	(0.1 %; 1 %; 2.5 %; 5 %)

#### Power supply

Nominal supply voltage	24 V DC
Supply voltage range	19.2 V DC ... 30 V DC (to bridge the supply voltage, the DIN rail connector (ME 6,2 TBUS-2 1,5/5-ST-3,81 GN, Order No. 2869728) can be used. It can be snapped onto a 35 mm DIN rail according to EN 60715)
Max. current consumption	< 14 mA (at 24 V DC)
Power consumption	< 330 mW (at 24 V DC)

#### Connection data

Connection method	Spring-cage conn.
Conductor cross section solid min.	0.2 mm <sup>2</sup>
Conductor cross section solid max.	2.5 mm <sup>2</sup>
Conductor cross section stranded min.	0.2 mm <sup>2</sup>
Conductor cross section stranded max.	2.5 mm <sup>2</sup>
Conductor cross section AWG/kcmil min.	24
Conductor cross section AWG/kcmil max	12
Stripping length	8 mm

#### General data

No. of channels	1
Width	6.2 mm
Height	93.1 mm
Depth	102.5 mm
Maximum temperature coefficient	< 0.02 %/K

Linearity error	< 0.05 % (of final value)
Ambient temperature (operation)	-20 °C ... 65 °C
Ambient temperature (storage/transport)	-40 °C ... 85 °C
Degree of protection	IP20
Electrical isolation	Basic insulation according to EN 61010
Surge voltage category	II
Pollution degree	2
Rated insulation voltage	50 V AC/DC
Test voltage input/power supply	1.5 kV AC (50 Hz, 1 min.)
Electromagnetic compatibility	Conformance with EMC Directive 2004/108/EC
Noise emission	EN 61000-6-4
Noise immunity	EN 61000-6-2:2005
Color	green
Housing material	PBT
Mounting position	Any
Assembly instructions	The DIN rail bus connector (TBUS) can be used for bridging the supply voltage. It can be snapped onto a 35 mm EN 60715 DIN rail.
Conformance	CE-compliant
ATEX	Ex II 3 G Ex nAC IIC T4 X
UL, USA	Class I, Zone 2, AEx nC IIC T6
UL, USA / Canada	UL 508 Recognized
UL, Canada	Class I, Zone 2, Ex nC IIC T6
GL	GL EMC 2 D

#### Certificates / Approvals



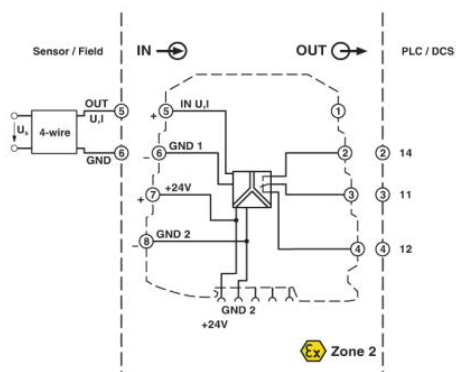
Certification	CUL, GL, UL
Certification Ex:	CUL-EX LIS, PxC-EX, UL-EX LIS

**Accessories**

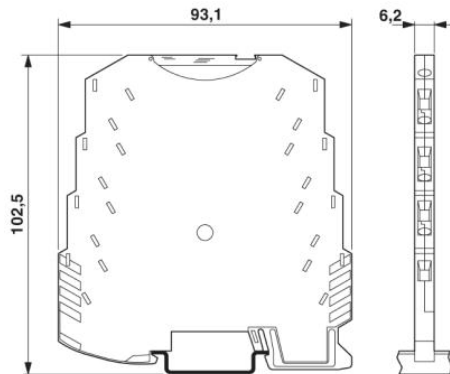
Item	Designation	Description
<b>General</b>		
2869728	ME 6,2 TBUS-2 1,5/5-ST-3,81 GN	DIN rail connector (TBUS), 5-pos., for bridging the supply voltage, can be snapped onto NS 35/... DIN rails according to EN 60715
2308111	MINI MCR DKL	Fold up transparent cover for MINI MCR modules with additional labeling option using insert strips and flat Zack marker strip 6.2 mm
2810272	MINI MCR-DKL-LABEL	Label for extended marking of MINI MCR modules in connection with the MINI MCR-DKL
2864134	MINI MCR-SL-PTB	MCR power terminal block for supplying several MINI Analog modules via the DIN rail connectors, with screw connection, current consumption up to max. 2 A
2864147	MINI MCR-SL-PTB-SP	MCR power terminal block for supplying several MINI-ANALOG modules via the DIN rail connectors, with spring-cage connection, current consumption up to max. 2 A
2811268	MINI MCR-SL-V8-FLK 16-A	Eight MINI analog signal converters with screw connection method can be connected to a control system using a system adapter and system cabling with a minimum of wiring and very low error risk.
2866653	MINI-PS-100-240AC/24DC/1.5/ EX	DIN rail power supply unit, primary-switched mode, slim design, output: 24 V DC / 1.5 A, ATEX approval
2866983	MINI-SYS-PS-100-240AC/24DC/1.5	DIN rail power supply unit, primary-switched mode, slim design, output: 24 V DC / 1.5 A

**Diagrams/Drawings**

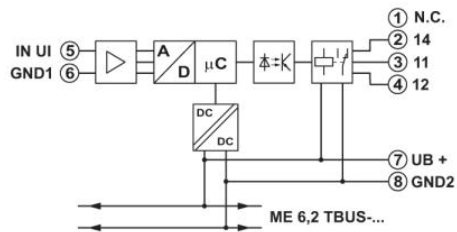
Block diagram



Dimensioned drawing



Circuit diagram



**Address**

PHOENIX CONTACT Inc., USA  
586 Fulling Mill Road  
Middletown, PA 17057, USA  
Phone (800) 888-7388  
Fax (717) 944-1625  
<http://www.phoenixcon.com>



© 2011 Phoenix Contact  
Technical modifications reserved;