

MINI MCR-SL-2CP-I-I

Order No.: 2864655



<http://eshop.phoenixcontact.de/phoenix/treeViewClick.do?UID=2864655>

MCR passive isolator, 2-channel, for the electrical isolation of current signals without auxiliary power, with screw connection



Commercial data

GTIN (EAN)	4 017918 974893
sales group	H521
Pack	1 pcs.
Customs tariff	85437090
Catalog page information	Page 360 (IF-2011)

Product notes

WEEE/RoHS-compliant since: 03/01/2006



<http://www.download.phoenixcontact.com>
Please note that the data given here has been taken from the online catalog. For comprehensive information and data, please refer to the user documentation. The General Terms and Conditions of Use apply to Internet downloads.

Technical data

Input data

Description of the input	Current input
Configurable/programmable	No

Current input signal	0 mA ... 20 mA
	4 mA ... 20 mA
Max. input voltage	18 V
Max. input current	40 mA
Response current	Approx. 190 μ A
Input voltage limitation	18 V
Voltage dissipation	1.7 V (at I = 20 mA)

Output data

Output name	Current output
Configurable/programmable	No
Current output signal	0 mA ... 20 mA
	4 mA ... 20 mA
Load/output load current output	< 600 Ω (at I = 20 mA output signal)

Power supply

Supply voltage range	(no separate supply voltage necessary)
----------------------	--

Connection data

Connection method	Screw connection
Conductor cross section solid min.	0.14 mm ²
Conductor cross section solid max.	2.5 mm ²
Conductor cross section stranded min.	0.2 mm ²
Conductor cross section stranded max.	2.5 mm ²
Conductor cross section AWG/kcmil min.	26
Conductor cross section AWG/kcmil max	12
Stripping length	12 mm
Screw thread	M3

General data

No. of channels	2
Width	6.2 mm
Height	93.1 mm
Depth	102.5 mm
Maximum transmission error	≤ 0.1 % (of final value)
Maximum temperature coefficient	≤ 0.002 %/K (of measured value / 100 Ω load)
Additional error, load-dependent	0.03 % (of measured value / 100 Ω load)

Limit frequency (3 dB)	75 Hz
Step response (10-90%)	5 ms (At 600 Ω load)
Ambient temperature (operation)	-20 °C ... 65 °C
Ambient temperature (storage/transport)	-40 °C ... 85 °C
Degree of protection	IP20
Electrical isolation	Basic insulation according to EN 61010
Surge voltage category	II
Pollution degree	2
Rated insulation voltage	50 V AC/DC
Test voltage input/output	1.5 kV (50 Hz, 1 min.)
Test voltage channel/channel	1.5 kV (50 Hz, 1 min.)
Electromagnetic compatibility	Conformance with EMC Directive 2004/108/EC
Noise emission	EN 61000-6-4
Noise immunity	EN 61000-6-2:2005
Color	green
Housing material	PBT
Mounting position	Any
Assembly instructions	The DIN rail bus connector (TBUS) can be used for bridging the supply voltage. It can be snapped onto a 35 mm EN 60715 DIN rail.
Conformance	CE-compliant
ATEX	Ex II 3 G Ex nA II T6 X
UL, USA / Canada	UL 508 Recognized
	Class I, Div. 2, Groups A, B, C, D
GL	GL EMC 2 D

Certificates / Approvals

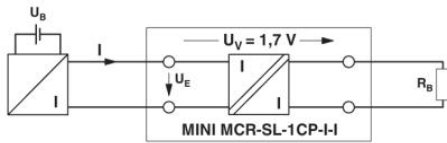


Certification CUL, GL, UL

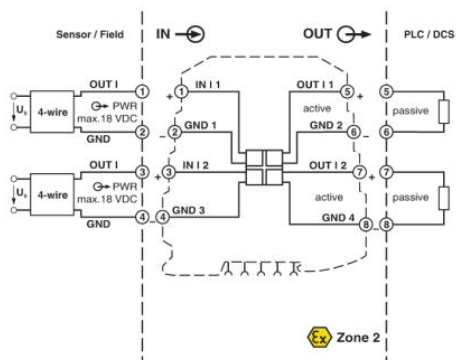
Certification Ex: CUL-EX, PxC-EX, UL-EX

Diagrams/Drawings

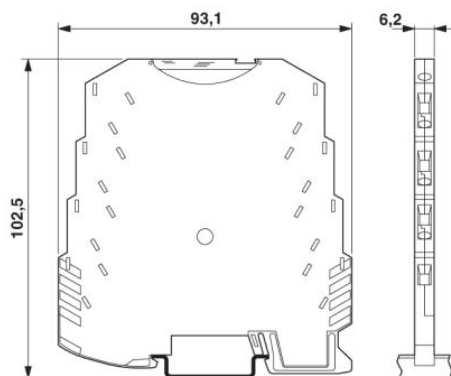
Application drawing



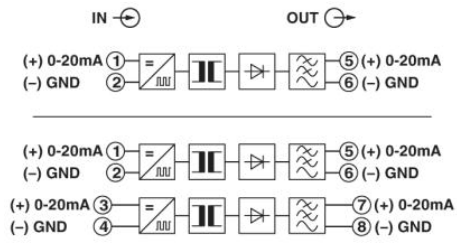
Block diagram



Dimensioned drawing



Circuit diagram



Address

PHOENIX CONTACT Inc., USA
586 Fulling Mill Road
Middletown, PA 17057, USA
Phone (800) 888-7388
Fax (717) 944-1625
<http://www.phoenixcon.com>



© 2011 Phoenix Contact
Technical modifications reserved;