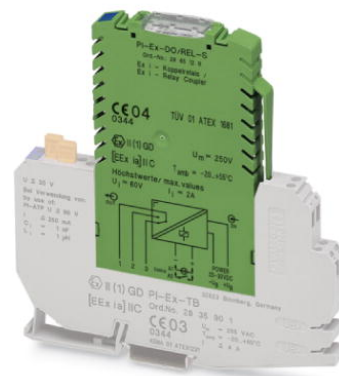


PI-EX-DO/REL-S

Order No.: 2865120



<http://eshop.phoenixcontact.de/phoenix/treeViewClick.do?UID=2865120>

Ex-i binary output: Relay with intrinsically safe contact side. For switching intrinsically safe circuits. Control either with external switching voltages or floating switch contacts. With additional hand-operated level. Electrical isolation.



Commercial data	
GTIN (EAN)	4 017918 956639
sales group	H704
Pack	1 pcs.
Customs tariff	85364190
Catalog page information	Page 464 (IF-2009)

Product notes

WEEE/RoHS-compliant since:
02/05/2007

<http://www.download.phoenixcontact.com>
Please note that the data given here has been taken from the online catalog. For comprehensive information and data, please refer to the user documentation. The General Terms and Conditions of Use apply to Internet downloads.

Technical data	
Input data	
Available input sources	External voltage actuated operation; 4 V DC < U _s < 30 V DC: Relay picks up; U _s < 2 V DC: Relay drops out
	Operation via external switching contact, switch closed: Relay picks up; switch open: Relay drops out

Operating mode	Can be adjusted via a slide switch in the front of the housing
Output data	
Switching output	Relay output
Contact type	1 PDT
Contact material	AgNi, + 5 µm Au
Maximum switching voltage	30 V DC
Limiting continuous current	300 mA (when intrinsically safe circuits are connected)
Contact transition resistor	≤ 0.1 Ω
Mechanical service life	3 x 10 ⁶ cycles
Service life, electrical	50 000 cycles (at 24 V DC / 10 A / 85°C)
Power supply	
Supply voltage range	20 V DC ... 30 V DC
General data	
No. of channels	1
Ambient temperature (operation)	-20 °C ... 55 °C
Ambient temperature (storage/transport)	-40 °C ... 85 °C
Status display	Green LED (supply voltage) Yellow LED (status display)
Width	12.4 mm
Height	145 mm
Depth	147 mm
Inflammability class acc. to UL 94	V0
Housing material	PBT and polyamide PA non-reinforced
Degree of protection	IP20
Color	green
Electrical isolation input / output	1.5 kV (50 Hz, 1 min., test voltage)
Electrical isolation output / supply	375 V (Peak value as per EN 50020 / EN 60079-11)
Conformance	CE-compliant
ATEX	Ex II (1) GD [EEx ia] IIC Ex II 3 G Ex nAC IIC T4 X
UL, USA / Canada	UL applied for
Safety data	
Safety-related maximum voltage U _m	250 V AC

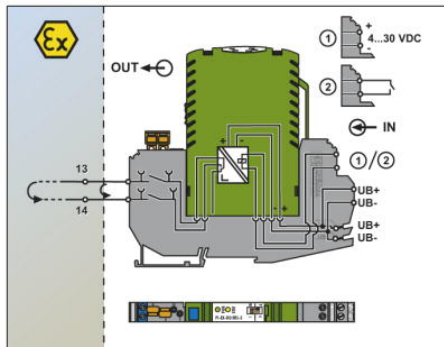
Certificates / Approvals

Certification Ex:

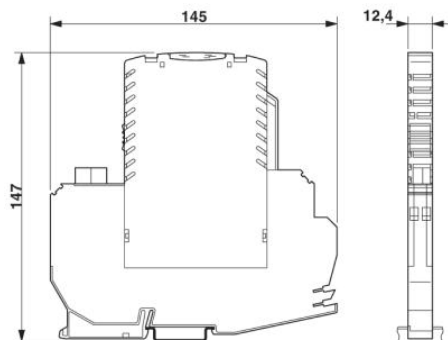
PxC-EX, TUEV-N-EX

Diagrams/Drawings

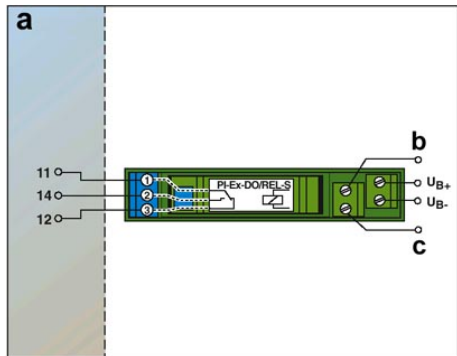
Block diagram



Dimensioned drawing



Circuit diagram



a = Ex area
b = Control signal +
c = Control signal -

Address

PHOENIX CONTACT Inc., USA
586 Fulling Mill Road
Middletown, PA 17057, USA
Phone (800) 888-7388
Fax (717) 944-1625
<http://www.phoenixcon.com>



© 2011 Phoenix Contact
Technical modifications reserved;