

PI-EX-SD-21-60

Order No.: 2865188




<http://eshop.phoenixcontact.de/phoenix/treeViewClick.do?UID=2865188>

Ex-i solenoid driver, pluggable. To control intrinsically safe solenoid valves, alarm modules as well as simple electric equipment installed in Ex areas. For Group IIB gases, loop-powered. Electrical isolation.



SIL 3

Commercial data	
GTIN (EAN)	 4 046356 134828
Note	Made-to-order
sales group	H704
Pack	1 pcs.
Customs tariff	85437090
Catalog page information	Page 463 (IF-2009)

Product notes

WEEE/RoHS-compliant since:
02/16/2007



<http://www.download.phoenixcontact.com>
Please note that the data given here has been taken from the online catalog. For comprehensive information and data, please refer to the user documentation. The General Terms and Conditions of Use apply to Internet downloads.

Technical data	
Output data	
Output characteristic curve: Output resistor	136 Ω (Internal resistance R _i)
Response time	< 30 ms

Compatible valves

Note	This is an extract of possible combinations of valves and solenoid drivers.
Compatible valve	ASCO Coil 302 (12 V)
	ASCO Coil 302 (24 V)
	FESTO Coil MFH-...IA-SA-EX GBXE022AIAD03
	FESTO Coil (J)MFH-...BIA-SA-EX GBXE022AIAD03
	Norgren Herion Coil 2050
	Norgren Herion Coil 2051
	Norgren Herion Coil 2052
	Norgren Herion Coil 2053
	Parker Coil VZ95 482160.01 EEx ia IIB T6

Power supply

Max. current consumption	< 110 mA (at 24 V)
Power consumption	max. 1.5 W (at 24 V)

General data

Maximum temperature coefficient	0.01 %/K
Ambient temperature (operation)	-20 °C ... 55 °C
Ambient temperature (storage/transport)	-40 °C ... 85 °C
Permissible humidity (operation)	10 % ... 95 % (relative humidity, no condensation)
Status display	Yellow LED (status display)
	Red LED (line errors)
Width	12.4 mm
Height	145 mm
Depth	147 mm
Inflammability class acc. to UL 94	V0
Housing material	PBT and polyamide PA non-reinforced
Degree of protection	IP20
Color	green
Electrical isolation input / output	2.5 kV (50 Hz, 1 min., test voltage)
Conformance	CE-compliant
ATEX	Ex II (1) GD [Ex ia] IIB / IIA
	Ex II 3 G Ex nA II T4 X
Functional safety (SIL)	SIL 3

Safety characteristic data

Integrity requirement	for IEC 61508 - Low demand
Equipment type	Type A
Safety Integrity Level (SIL)	3
Safe Failure Fraction (SFF)	100 %
λ_{SU}	2.84×10^{-7} (284 FIT)
λ_{SD}	0
λ_{DU}	0
λ_{DD}	0
Probability of a hazardous failure on demand (PFD _{AVG})	0 (1 year)
	0 (5 years)
	0 (10 years)
Diagnostic coverage (DC)	(DC _S = 0%, DC _D = 0%)

Safety data

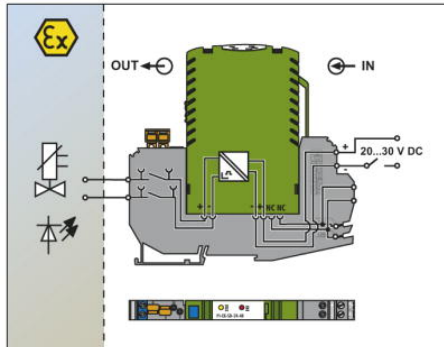
Max. voltage U _o	25.1 V
Max. current I _o	188 mA
Max. power P _o	1180 mW
Gas group	II A
Max. external inductivity L _o	5.2 mH
Max. external capacity C _o	0.51 µF
Gas group	II B
Max. external inductivity L _o	2.7 mH
Max. external capacity C _o	0.28 µF
Safety-related maximum voltage U _m	250 V AC (125 V DC)

Certificates / Approvals

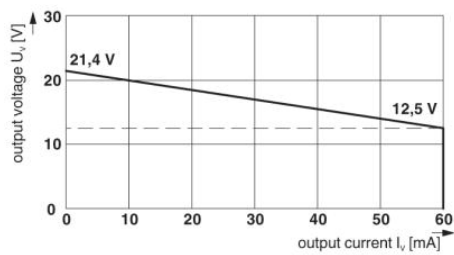
Certification Ex: PxC-EX, TUEV-N-EX

Diagrams/Drawings

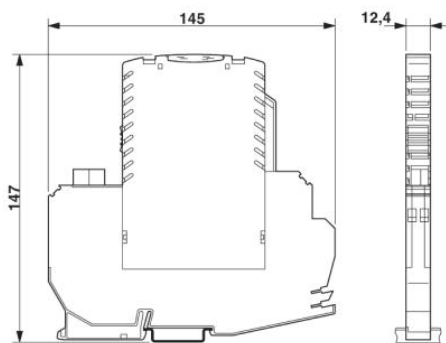
Block diagram



Diagram



Dimensioned drawing



Address

PHOENIX CONTACT Inc., USA
586 Fulling Mill Road
Middletown, PA 17057, USA
Phone (800) 888-7388
Fax (717) 944-1625
<http://www.phoenixcon.com>



© 2011 Phoenix Contact
Technical modifications reserved;