

PI-EX-SD-21-25

Order No.: 2865201




<http://eshop.phoenixcontact.de/phoenix/treeViewClick.do?UID=2865201>

Ex-i solenoid driver, pluggable. To control intrinsically safe solenoid valves, alarm modules as well as simple electric equipment installed in Ex areas. For Group IIC gases, loop-powered. Electrical isolation.



SIL 3

Commercial data

GTIN (EAN)	 4 046356 134842
Note	Made-to-order
sales group	H704
Pack	1 pcs.
Customs tariff	85437090
Catalog page information	Page 462 (IF-2009)

Product notes

WEEE/RoHS-compliant since:
02/19/2007



<http://www.download.phoenixcontact.com>
Please note that the data given here has been taken from the online catalog. For comprehensive information and data, please refer to the user documentation. The General Terms and Conditions of Use apply to Internet downloads.

Technical data

Output data

Output characteristic curve: Output resistor	654 Ω (Internal resistance R_i)
Response time	< 30 ms

Compatible valves

Note	This is an extract of possible combinations of valves and solenoid drivers.
Compatible valve	Norgren Herion Coil 2080 / 2082
	Norgren Herion Coil 2081 / 2083
	Norgren Herion Coil 2084
	Hörbiger Piezo P8 38x RF-Nx-SPN65 30 V type
	Hörbiger Piezo P20 381RF-NG-CPN61 30 V type
	Samson Coil 3701-11 (6 V)
	Samson Coil 3701-12 (12 V)
	Samson Coil 3701-13 (24 V)
	Samson Coil 3963-11 (6 V)
	Samson Coil 3963-12 (12 V)
	Samson Coil 3963-13 (24 V)
	Samson Coil 3964-11 (6 V)
	Samson Coil 3964-12 (12 V)
	Samson Coil 3964-13 (24 V)
	Seitz Pilot valve PV 12F73 Ci oH
	Seitz Pilot valve PV 12F73 Xi oH
	Seitz Pilot valve PV 12F73 Xi oH-2

Power supply

Max. current consumption	50 mA (at 24 V)
Power consumption	max. 0.9 W (at 24 V)

General data

Maximum temperature coefficient	0.01 %/K
Ambient temperature (operation)	-20 °C ... 55 °C
Ambient temperature (storage/transport)	-40 °C ... 85 °C
Permissible humidity (operation)	10 % ... 95 % (relative humidity, no condensation)
Status display	Yellow LED (status display) Red LED (line errors)
Width	12.4 mm
Height	145 mm
Depth	147 mm
Inflammability class acc. to UL 94	V0
Housing material	PBT and polyamide PA non-reinforced

Degree of protection	IP20
Color	green
Electrical isolation input / output	2.5 kV (50 Hz, 1 min., test voltage)
Conformance	CE-compliant
ATEX	Ex II (1) GD [Ex ia] IIC / IIB / IIA
	Ex II 3 G Ex nA II T4 X
Functional safety (SIL)	SIL 3

Safety characteristic data

Integrity requirement	for IEC 61508 - Low demand
Equipment type	Type A
Safety Integrity Level (SIL)	3
Safe Failure Fraction (SFF)	100 %
λ_{SU}	2.84×10^{-7} (284 FIT)
λ_{SD}	0
λ_{DU}	0
λ_{DD}	0
Probability of a hazardous failure on demand (PFD _{AVG})	0 (1 year)
	0 (5 years)
	0 (10 years)
Diagnostic coverage (DC)	(DC _s = 0%, DC _D = 0%)

Safety data

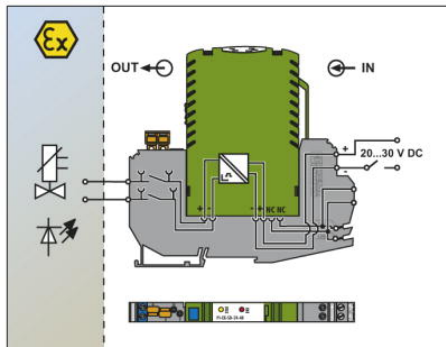
Max. voltage U _o	25.1 V
Max. current I _o	39 mA
Max. power P _o	245 mW
Gas group	II A
Max. external inductivity L _o	20 mH
Max. external capacity C _o	0.66 µF
Gas group	II B
Max. external inductivity L _o	5 mH
Max. external capacity C _o	0.43 µF
Gas group	II C
Max. external inductivity L _o	0.5 mH
Max. external capacity C _o	0.093 µF
Safety-related maximum voltage U _m	250 V AC (125 V DC)

Certificates / Approvals

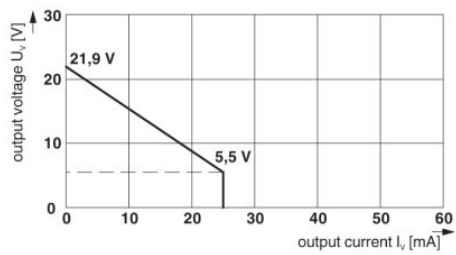
Certification Ex: PxC-EX, TUEV-N-EX

Diagrams/Drawings

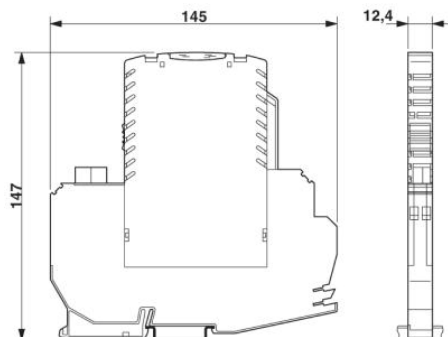
Block diagram



Diagram



Dimensioned drawing



Address

PHOENIX CONTACT Inc., USA
586 Fulling Mill Road
Middletown, PA 17057, USA
Phone (800) 888-7388
Fax (717) 944-1625
<http://www.phoenixcon.com>



© 2011 Phoenix Contact
Technical modifications reserved;