

D-UFB-PB

Order No.: 2880642




<http://eshop.phoenixcontact.de/phoenix/treeViewClick.do?UID=2880642>

Fine surge protection in a 9-pos. D-SUB connector for PROFIBUS-DP applications with a transmission speed of up to 12 Mbps.

**PROFI
BUS**

Commercial data

GTIN (EAN)	 4 046356 048989
sales group	J400
Pack	1 pcs.
Customs tariff	85363010
Catalog page information	Page 151 (TT-2011)

Product notes

WEEE/RoHS-compliant since:
03/21/2007



<http://www.download.phoenixcontact.com>
Please note that the data given here has been taken from the online catalog. For comprehensive information and data, please refer to the user documentation. The General Terms and Conditions of Use apply to Internet downloads.

Technical data

General

Housing material	ABS, metal-plated
Color	silver
Standards for air and creepage distances	IEC 60664-1: 1992-10
	DIN VDE 0110-1

Surge voltage category	II
Pollution degree	2
Total surge current (8/20) μ s	350 A
Ambient temperature (operation)	-20 °C ... 75 °C
Ambient temperature (storage/transport)	-20 °C ... 75 °C
Mounting type	Direct assembly on the device interface
Design	Connecting plug
Number of positions	4
Degree of protection	IP40
Direction of action	Line-Line & Line-Earth Ground
Width	44.50 mm
Height	36.00 mm
Length	56.40 mm

Protective circuit

IEC category	C1
	C3
	B2
VDE requirement class	C1
	C3
	B2
Maximum continuous operating voltage U_c	5.2 V DC
Maximum continuous voltage U_C (wire-wire)	5.2 V DC
Maximum continuous voltage U_c (wire-ground)	5.2 V DC
Nominal current I_N	250 mA (25°C)
Operating effective current I_c at U_c	$\leq 100 \mu$ A
Ground conductor current I_{PE}	$\leq 100 \mu$ A
Nominal discharge surge current I_n (8/20) μ s (Core-Core)	350 A
Nominal discharge surge current I_n (8/20) μ s (Core-Earth)	350 A
Total surge current (8/20) μ s	350 A
Max. discharge surge current I_{max} (8/20) μ s maximum (Core-Core)	350 A
Max. discharge surge current I_{max} (8/20) μ s maximum (Core-Earth)	350 A
Output voltage limitation at 1 kV/ μ s (Core-Core) spike	≤ 20 V

Output voltage limitation at 1 kV/ μ s (Core-Earth) spike	≤ 20 V
Output voltage limitation at 1 kV/ μ s (Core-Core) static	≤ 14 V
Output voltage limitation at 1 kV/ μ s (Core-Earth) static	≤ 14 V
Output voltage limitation (10/700) μ s (Core-Core)	≤ 15 V (U _o =4 kV)
Output voltage limitation (10/700) μ s (Core-Earth)	≤ 15 V (U _o =4 kV)
Residual voltage at I _n , (conductor-conductor)	≤ 25 V
Residual voltage at I _n , (conductor-ground)	≤ 25 V
Protection level U _p (Core-Core)	≤ 25 V (C1 (500 V/250 A))
	≤ 15 V (C3 (25 A))
	≤ 15 V (B2 (4 kV/100 A))
Protection level U _p (Core-Earth)	≤ 25 V (C1 (500 V/250 A))
	≤ 15 V (C3 (25 A))
	≤ 15 V (B2 (4 kV/100 A))
Response time t _A (Core-Core)	≤ 500 ns
Response time t _A (Core-Earth)	≤ 500 ns
Cut-off frequency f _g (3 dB), sym. in 100 Ohm system	Typ. 70 MHz
Inductivity in series	0.11 μ H
Surge carrying capacity in acc. with IEC 61643-21 (Core-Core)	C1 (500 V / 250 A)
	C3 (2 kV / 25 A)
Surge carrying capacity in acc. with IEC 61643-21 (Core-Earth)	C1 (500 A/250 A)
	C3 (2 kV/25 A)

Connection data

Connection method	Screw connection & D-SUB-9
Connection type IN	Screw terminal blocks
Connection type OUT	D-SUB-9 connector
Connection method	2-wire (shielded)
Screw thread	M2
Tightening torque	0.25 Nm
Stripping length	5 mm
Conductor cross section stranded min.	0.14 mm ²
Conductor cross section stranded max.	1.5 mm ²

Conductor cross section solid min.	0.14 mm ²
Conductor cross section solid max.	1.5 mm ²
Conductor cross section AWG/kcmil min.	26
Conductor cross section AWG/kcmil max	16

Connection, equipotential bonding

Connection method	PVC Litz wire, 1.0 mm ² , 0.5 m length
-------------------	---

Connection, protective circuit

Standards/regulations	IEC 61643-21
	DIN EN 61643-21

Certificates / Approvals

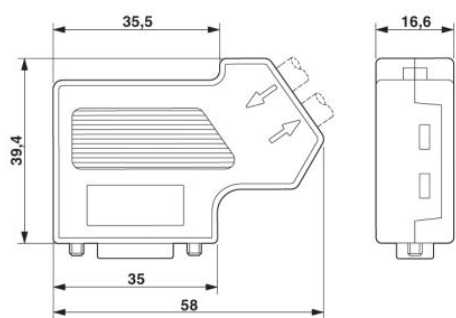


Certification

GOST

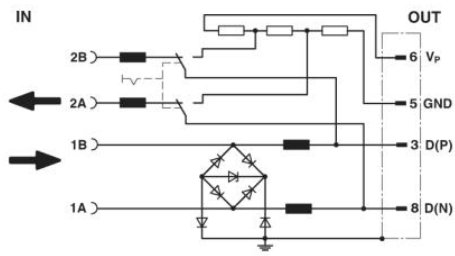
Diagrams/Drawings

Dimensioned drawing



Dimensional drawing: D-UFB-PB

Circuit diagram



D-UFB-PB Order No.: 2880642

<http://eshop.phoenixcontact.de/phoenix/treeViewClick.do?UID=2880642>

Address

PHOENIX CONTACT Inc., USA
586 Fulling Mill Road
Middletown, PA 17057, USA
Phone (800) 888-7388
Fax (717) 944-1625
<http://www.phoenixcon.com>



© 2011 Phoenix Contact
Technical modifications reserved;