

# MACX MCR-PTB-SP

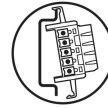
Order No.: 2924184

The illustration shows the versions with screw connection




<http://eshop.phoenixcontact.de/phoenix/treeViewClick.do?UID=2924184>

Power and error message module, spring-cage terminal blocks



## Commercial data

GTIN (EAN)	 4 046356 342766
sales group	H729
Pack	1 pcs.
Customs tariff	85389091
Catalog page information	Page 402 (IF-2011)

## Product notes

WEEE/RoHS-compliant since:  
05/20/2008



<http://www.download.phoenixcontact.com>  
Please note that the data given here has been taken from the online catalog. For comprehensive information and data, please refer to the user documentation. The General Terms and Conditions of Use apply to Internet downloads.

## Technical data

### Input data

Current consumption	3.75 A
---------------------	--------

#### Output data

Switching output	Relay
Contact type	1 PDT
Contact material	Gold (Au)
Maximum switching voltage	50 V AC (2 A)

#### Connection data

Conductor cross section solid min.	0.2 mm <sup>2</sup>
Conductor cross section solid max.	1.5 mm <sup>2</sup>
Conductor cross section stranded min.	0.2 mm <sup>2</sup>
Conductor cross section stranded max.	1.5 mm <sup>2</sup>
Conductor cross section AWG/kcmil min.	24
Conductor cross section AWG/kcmil max	16
Connection method	Spring-cage conn.

#### General data

Ambient temperature (operation)	-20 °C ... 60 °C (Any mounting position)
Ambient temperature (storage/transport)	-40 °C ... 80 °C
Permissible humidity (operation)	5 % ... 95 % (no condensation)
Status display	1 x red LED (error) 2 x green LEDs (PWR1 and PWR2)
Width	17.5 mm
Height	99 mm
Depth	114.5 mm
Inflammability class acc. to UL 94	V0
Pollution degree	2
Surge voltage category	II
Housing material	Polyamide (PA 6.6)
Degree of protection	IP20
Color	green
Conformance	CE-compliant
ATEX	Ex II 3 G Ex nAC IIC T4 X
IECEX	Ex nAC IIC T4 X
UL, USA / Canada	UL 61010

## Certificates / Approvals



Certification

CUL Listed, GL, UL Listed

Certification Ex:

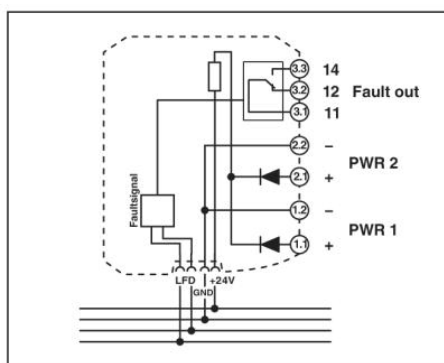
IECEX, PxC-EX

Certifications applied for:

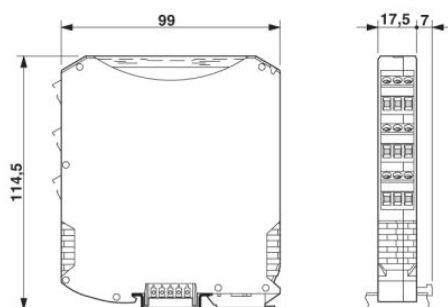
UL-EX LIS / CUL-EX LIS

## Diagrams/Drawings

Block diagram



Dimensioned drawing



**Address**

PHOENIX CONTACT Inc., USA  
586 Fulling Mill Road  
Middletown, PA 17057, USA  
Phone (800) 888-7388  
Fax (717) 944-1625  
<http://www.phoenixcon.com>



© 2011 Phoenix Contact  
Technical modifications reserved;