

MACX MCR-SL-RPSSI-I-UP-SP

Order No.: 2924210



<http://eshop.phoenixcontact.de/phoenix/treeViewClick.do?UID=2924210>

Repeater power supply for supplying 2 and 3-conductor transmitters with HART transmission and wide range power supply, SIL, spring-cage connection



Commercial data

GTIN (EAN)	 4 046356 449502
Note	Made-to-order
sales group	H550
Pack	1 pcs.
Customs tariff	85437090
Catalog page information	Page 385 (IF-2011)

Product notes

WEEE/RoHS-compliant since: 03/24/2009



<http://www.download.phoenixcontact.com>
Please note that the data given here has been taken from the online catalog. For comprehensive information and data, please refer to the user documentation. The General Terms and Conditions of Use apply to Internet downloads.

Technical data

Input data

Current input signal	0 mA ... 20 mA
----------------------	----------------

	4 mA ... 20 mA
Transmitter supply voltage	> 16 V (at 20 mA)
Voltage drop	< 3.5 V (in input isolating amplifier operation)

Output data

Signal output	Current output
Voltage output signal	0 V ... 5 V (internal resistance, 250 Ω, 0.1%)
Current output signal	0 mA ... 20 mA (active)
	4 mA ... 20 mA (active)
	0 mA ... 20 mA (14 ... 26 V ext. source voltage)
	4 mA ... 20 mA (14 ... 26 V ext. source voltage)
Transmission Behavior	1:1 to input signal
Load/output load current output	< 600 Ω (I output)
Output ripple	< 20 mV _{rms}

Power supply

Supply voltage range	24 V AC/DC ... 230 V AC/DC (-20%/+10%, 50/60 Hz)
Max. current consumption	< 75 mA (at 24 V DC)
Power consumption	< 1.8 W

Connection data

Conductor cross section solid min.	0.2 mm ²
Conductor cross section solid max.	1.5 mm ²
Conductor cross section stranded min.	0.2 mm ²
Conductor cross section stranded max.	1.5 mm ²
Conductor cross section AWG/kcmil min.	24
Conductor cross section AWG/kcmil max	16
Connection method	Spring-cage conn.

General data

No. of channels	1
Maximum transmission error	< 0.1 % (of final value)
Transmission error, typical	< 0.05 % (of final value)
Maximum temperature coefficient	< 0.01 %/K
Ambient temperature (operation)	-20 °C ... 60 °C (Any mounting position)
Ambient temperature (storage/transport)	-40 °C ... 80 °C
Permissible humidity (operation)	10 % ... 95 % (no condensation)

Step response (10-90%)	< 600 µs (for 4 mA ... 20 mA step)
Status display	Green LED (supply voltage)
Width	17.5 mm
Height	99 mm
Depth	114.5 mm
Inflammability class acc. to UL 94	V0
Pollution degree	2
Surge voltage category	II
Housing material	PA 66-FR
Degree of protection	IP20
Color	green
Electrical isolation input / output / supply	2.5 kV (50 Hz, 1 min., test voltage)
Electrical isolation input / output	375 V (Peak value in accordance with EN 60079-11)
Electrical isolation input / supply	375 V (Peak value in accordance with EN 60079-11)
Conformance	CE-compliant, additionally EN 61326
ATEX	Ex II 3 G Ex nA II T4 X
UL, USA / Canada	UL applied for
Functional safety (SIL)	SIL 2 according to EN 61508

Data communication (bypass)

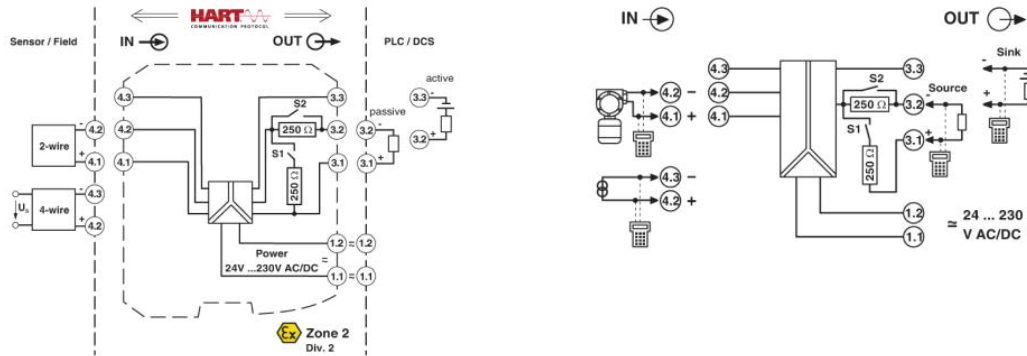
HART function	Yes
Protocols supported	HART

Certificates / Approvals

Certification Ex:	PxC-EX
Certifications applied for:	UL Listed / CUL Listed

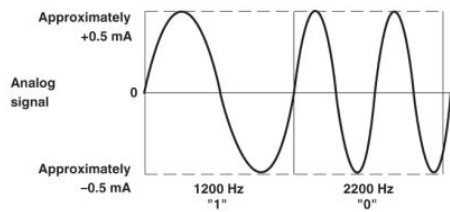
Diagrams/Drawings

Block diagram



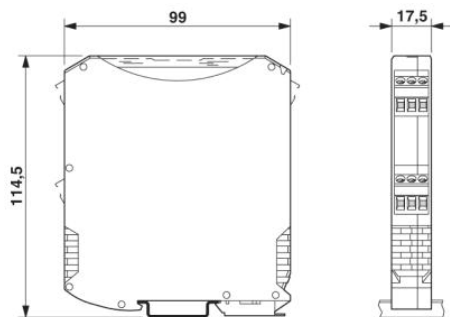
Connection example

Diagram



Signal transmission analog and digital at the same time

Dimensioned drawing



Address

PHOENIX CONTACT Inc., USA
586 Fulling Mill Road
Middletown, PA 17057, USA
Phone (800) 888-7388
Fax (717) 944-1625
<http://www.phoenixcon.com>



© 2011 Phoenix Contact
Technical modifications reserved;