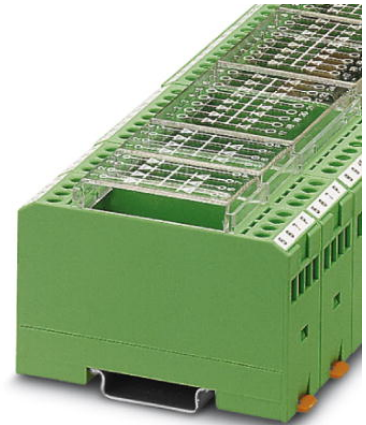


# EMG 22-DIO 7M

Order No.: 2950077


The illustration shows a combination of versions EMG 22-DIO 7 P, EMG 45-DIO14 P and EMG 90-DIO 32 P



<http://eshop.phoenixcontact.de/phoenix/treeViewClick.do?UID=2950077>

Diode module, with 7 diodes, common anode, diode type 1N 4007



Commercial data	
GTIN (EAN)	
sales group	H100
Pack	10 pcs.
Customs tariff	85411000
Catalog page information	Page 734 (IF-2011)

### Product notes

WEEE/RoHS-compliant since:  
01/02/2006



<http://www.download.phoenixcontact.com>  
Please note that the data given here has been taken from the online catalog. For comprehensive information and data, please refer to the user documentation. The General Terms and Conditions of Use apply to Internet downloads.

## Technical data

General data	
Diode type	1 N 4007
Max. operating voltage	250 V AC
Peak reverse voltage per diode	1300 V

Reverse current per diode	5 µA
Conducting state voltage per diode	Approx. 0.8 V
Conducting state current per diode	0.7 A (with single load) 0.5 A (with simultaneous loads)
Width	22.5 mm
Height	75 mm
Depth	55 mm
Ambient temperature (operation)	-20 °C ... 50 °C
Ambient temperature (storage/transport)	-40 °C ... 70 °C
Surge voltage category	III, basic insulation (as per EN 50178)
Mounting position	Any
Assembly instructions	In rows with zero spacing

#### Connection data

Conductor cross section solid min.	0.2 mm <sup>2</sup>
Conductor cross section solid max.	4 mm <sup>2</sup>
Conductor cross section stranded min.	0.2 mm <sup>2</sup>
Conductor cross section stranded max.	2.5 mm <sup>2</sup>
Conductor cross section AWG/kcmil min.	24
Conductor cross section AWG/kcmil max	12
Stripping length	8 mm
Screw thread	M3
Connection method	Screw connection

#### Certificates / Approvals



Certification GOST

#### Accessories

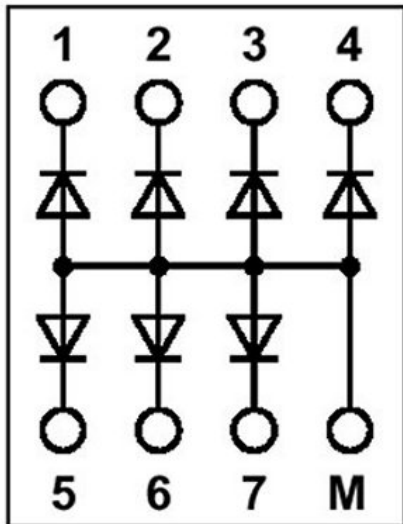
Item	Designation	Description
2947035	EMG-GKS 12	Equipment marker, width 12 mm

#### Marking

**Diagrams/Drawings**

Circuit diagram

---



**Address**

PHOENIX CONTACT Inc., USA  
586 Fulling Mill Road  
Middletown, PA 17057, USA  
Phone (800) 888-7388  
Fax (717) 944-1625  
<http://www.phoenixcon.com>



© 2011 Phoenix Contact  
Technical modifications reserved;