

# UM122-FLK16/EX-MB/8


Order No.: 2968467



<http://eshop.phoenixcontact.de/phoenix/treeViewClick.do?UID=2968467>

Ex-module carrier, intrinsically safe, for accommodating 8 Process Interface modules (PI-Ex...).



Commercial data	
GTIN (EAN)	 4 017918 939458
Note	Made-to-order
sales group	H784
Pack	1 pcs.
Customs tariff	85369010
Catalog page information	Page 474 (IF-2009)

### Product notes

WEEE/RoHS-compliant since:  
06/09/2008



<http://www.download.phoenixcontact.com>  
Please note that the data given here has been taken from the online catalog. For comprehensive information and data, please refer to the user documentation. The General Terms and Conditions of Use apply to Internet downloads.

Technical data	
<b>General data</b>	
Nom. voltage	20 V DC ... 35 V DC
Width	125 mm
Height	127.5 mm

Depth	92 mm
Housing insulation material	Polyamide PA non-reinforced, polycarbonate PC, PVC
Inflammability class acc. to UL 94	V0
Color	green
Conformance	CE-compliant
ATEX	Ex II (1) GD [EEx ia] IIC
Ambient temperature (operation)	-20 °C ... 60 °C
Ambient temperature (storage/transport)	-40 °C ... 75 °C

#### Connection data

Connection 1	To the control system level
Connection method	FLK 16 pin strip
Conductor cross section stranded min.	0.2 mm <sup>2</sup>
Conductor cross section stranded max.	2.5 mm <sup>2</sup>
Conductor cross section solid min.	0.2 mm <sup>2</sup>
Conductor cross section solid max.	4 mm <sup>2</sup>
Conductor cross section AWG/kcmil min.	24
Conductor cross section AWG/kcmil max	12
Connection 2	To the field level
Connection method	Screw connection
Conductor cross section stranded min.	0.2 mm <sup>2</sup>
Conductor cross section stranded max.	2.5 mm <sup>2</sup>
Conductor cross section solid min.	0.2 mm <sup>2</sup>
Conductor cross section solid max.	4 mm <sup>2</sup>
Conductor cross section AWG/kcmil min.	24
Conductor cross section AWG/kcmil max	12
Screw thread	M3
Stripping length	8 mm
Tightening torque, min	0.5 Nm
Tightening torque max	0.6 Nm

#### Certificates / Approvals

Certification Ex: KEMA-EX

Accessories		
Item	Designation	Description
<b>General</b>		
2835626	PI-EX-AIS-I/I	Ex-i analog input: Input isolating amplifier, HART. Sends 4-20 mA signals from externally supplied measuring transducers installed in Ex areas to a load in safe areas. Galvanic 3-way isolation (input / output / supply).
2865120	PI-EX-DO/REL-S	Ex-i binary output: Relay with intrinsically safe contact side. For switching intrinsically safe circuits. Control either with external switching voltages or floating switch contacts. With additional hand-operated level. Electrical isolation.
2835613	PI-EX-IDS-I/I	Ex-i output isolating amplifier, HART-capable. Isolates and sends intrinsically safe 0/4-20 mA signals to a load (I/P converters, control valves, displays) in Ex areas. Galvanic 3-way isolation (input / output / supply). Line fault detection.
2835341	PI-EX-NAM/RNO-NE	Ex-i binary input: NAMUR isolation amplifiers. For operating proximity sensors and switches in Ex areas. The binary signals are transmitted to a safe area. Relay output (N/O contact), line fault detection. Galvanic 3-way isolation.
2835574	PI-EX-NAM/TO	Ex-i binary input: NAMUR isolation amplifiers. For operating proximity sensors and switches in Ex areas. The binary signals are transmitted to a safe area. Transistor output (active), line fault detection. Electrical isolation.
2865117	PI-EX-NAM/TO-P	Ex-i binary input: NAMUR isolation amplifiers. For operating proximity sensors and switches in Ex areas. The signals are transmitted to a safe area. Transistor output (passive), line fault detection. Galvanic 3-way isolation.
2835011	PI-EX-RPSS-I/I	Ex-i analog input: Repeater power supply, HART. Feeds intrinsically safe 2- or 3-conductor measuring transducers installed in an Ex area and transmits the 4-20 mA signal to a load in a safe area. Galvanic 3-way isolation (input / output / supply).
2835066	PI-EX-RTD-I	Ex-i resistance thermometer input: Converts signals of Pt 100 resistance thermometers installed in the Ex zone and transfers a 4 mA ... 20 mA signal to a load in the safe zone. Freely programmable. Galvanic 3-way isolation.
2835079	PI-EX-THC-I	Ex-i thermocouple and mV input: Converts signals from thermocouples installed in Ex areas and mV sources and transmits a 4-20 mA signal to a load in a safe area. Freely programmable. Galvanic 3-way isolation. Custom-configured.

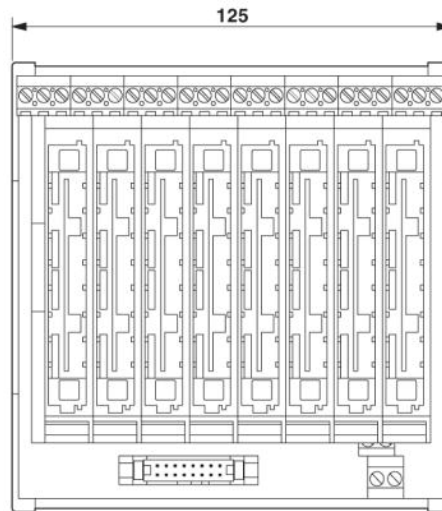
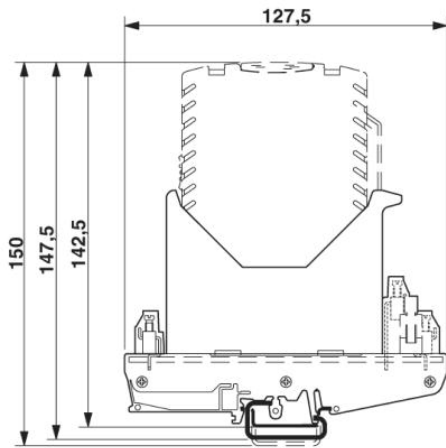
**Additional products**

Item	Designation	Description
<b>General</b>		
2835626	PI-EX-AIS-I/I	Ex-i analog input: Input isolating amplifier, HART. Sends 4-20 mA signals from externally supplied measuring transducers installed in Ex areas to a load in safe areas. Galvanic 3-way isolation (input / output / supply).
2865120	PI-EX-DO/REL-S	Ex-i binary output: Relay with intrinsically safe contact side. For switching intrinsically safe circuits. Control either with external switching voltages or floating switch contacts. With additional hand-operated level. Electrical isolation.
2835613	PI-EX-IDS-I/I	Ex-i output isolating amplifier, HART-capable. Isolates and sends intrinsically safe 0/4-20 mA signals to a load (I/P converters, control valves, displays) in Ex areas. Galvanic 3-way isolation (input / output / supply). Line fault detection.
2835341	PI-EX-NAM/RNO-NE	Ex-i binary input: NAMUR isolation amplifiers. For operating proximity sensors and switches in Ex areas. The binary signals are transmitted to a safe area. Relay output (N/O contact), line fault detection. Galvanic 3-way isolation.
2835574	PI-EX-NAM/TO	Ex-i binary input: NAMUR isolation amplifiers. For operating proximity sensors and switches in Ex areas. The binary signals are transmitted to a safe area. Transistor output (active), line fault detection. Electrical isolation.
2865117	PI-EX-NAM/TO-P	Ex-i binary input: NAMUR isolation amplifiers. For operating proximity sensors and switches in Ex areas. The signals are transmitted to a safe area. Transistor output (passive), line fault detection. Galvanic 3-way isolation.
2835011	PI-EX-RPSS-I/I	Ex-i analog input: Repeater power supply, HART. Feeds intrinsically safe 2- or 3-conductor measuring transducers installed in an Ex area and transmits the 4-20 mA signal to a load in a safe area. Galvanic 3-way isolation (input / output / supply).
2835066	PI-EX-RTD-I	Ex-i resistance thermometer input: Converts signals of Pt 100 resistance thermometers installed in the Ex zone and transfers a 4 mA ... 20 mA signal to a load in the safe zone. Freely programmable. Galvanic 3-way isolation.
2835079	PI-EX-THC-I	Ex-i thermocouple and mV input: Converts signals from thermocouples installed in Ex areas and mV sources and transmits a 4-20 mA signal to a load in a safe area. Freely programmable. Galvanic 3-way isolation. Custom-configured.

**Diagrams/Drawings**

Dimensioned drawing

---



**Address**

PHOENIX CONTACT Inc., USA  
586 Fulling Mill Road  
Middletown, PA 17057, USA  
Phone (800) 888-7388  
Fax (717) 944-1625  
<http://www.phoenixcon.com>



© 2011 Phoenix Contact  
Technical modifications reserved;