

PSR-SCP- 24DC/SIM4


Order No.: 2981936



<http://eshop.phoenixcontact.de/phoenix/treeViewClick.do?UID=2981936>

Interface module for the connection of several safety sensors or switches with NC/NO contacts to the safety relay PSR-SDC4, with screw connection



Commercial data	
GTIN (EAN)	4 046356 326001 
sales group	G501
Pack	1 pcs.
Customs tariff	85364190
Catalog page information	Page 25 (IF-2011)

Product notes

WEEE/RoHS-compliant since:
04/11/2008



<http://www.download.phoenixcontact.com>
Please note that the data given here has been taken from the online catalog. For comprehensive information and data, please refer to the user documentation. The General Terms and Conditions of Use apply to Internet downloads.

Technical data

Supply	
Nominal input voltage U_N	24 V DC (from PSR)
Input voltage range in reference to U_N	0.85 ... 1.1

General data

Status display	Green LED
Max. permissible current	100 mA (per signal output)
Max. permissible total current	100 mA (alarm outputs)
Ambient temperature (operation)	-20 °C ... 55 °C
Ambient temperature (storage/transport)	-40 °C ... 70 °C
Nominal operating mode	100% operating factor
Degree of protection	IP20
Mounting position	Any
Assembly instructions	In rows with zero spacing
Name	Air and creepage distances between the power circuits
Standards/regulations	DIN EN 50178
Rated surge voltage / insulation	0.8 kV
Rated insulation voltage	50 V DC
Pollution degree	2
Surge voltage category	III
Height	99 mm
Width	22.5 mm
Depth	106 mm

Connection data

Conductor cross section solid min.	0.2 mm ²
Conductor cross section solid max.	2.5 mm ²
Conductor cross section stranded min.	0.2 mm ²
Conductor cross section stranded max.	2.5 mm ²
Conductor cross section AWG/kcmil min.	24
Conductor cross section AWG/kcmil max	12
Stripping length	7 mm
Screw thread	M3
Connection method	Screw connection

Certificates / Approvals



Certification

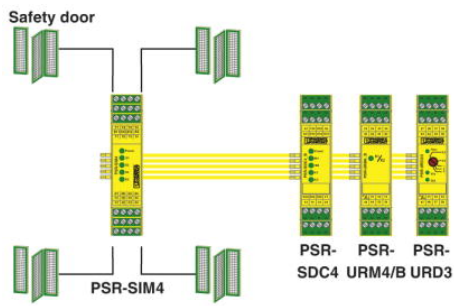
CUL Listed, GOST, UL Listed

Accessories

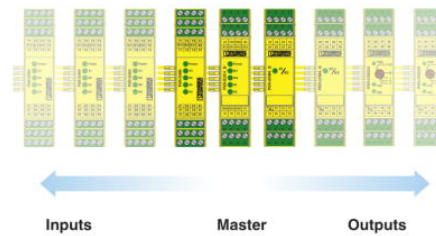
Item	Designation	Description
General		
2890425	PSR-TBUS	PSR-TBUS DIN rail connector, for supplying/controlling/monitoring (depending on the module)
2981716	PSR-TBUS-TP	

Diagrams/Drawings

Application drawing

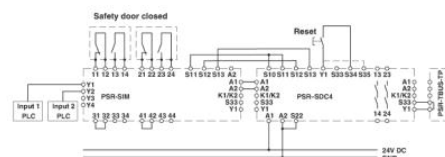
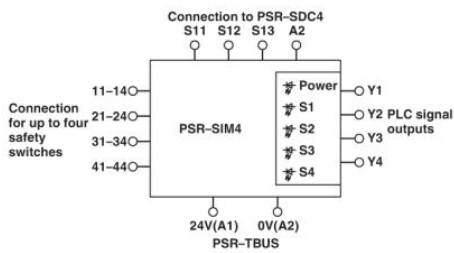


Up to 4 safety door switches can be connected to one PSR-SIM4.



Additional inputs are aligned on the left of the PSR-SDC4, outputs are to its right.

Circuit diagram



Address

PHOENIX CONTACT Inc., USA
586 Fulling Mill Road
Middletown, PA 17057, USA
Phone (800) 888-7388
Fax (717) 944-1625
<http://www.phoenixcon.com>



© 2011 Phoenix Contact
Technical modifications reserved;