

Vacuum gauge

VAM 63 V H PSI

Part no.:10.07.02.00003

<https://www.schmalz.com/10.07.02.00003>

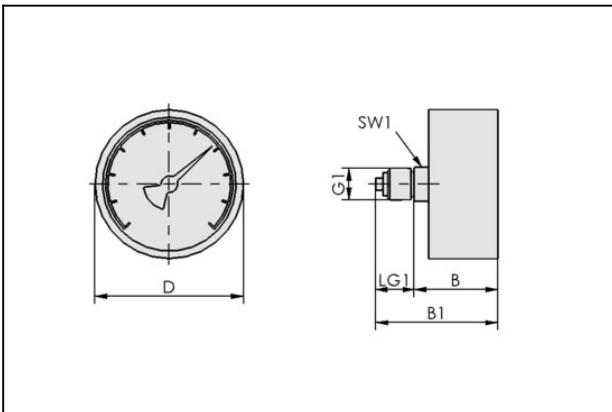
Homepage > Vacuum Technology for Automation > Vacuum Components > Switches and System Monitoring > Measuring and Control Devices
> Manometers VAM > VAM 63 V H PSI

Vacuum gauge (manometer) for analogue measurement and monitoring of the vacuum



External diameter D: 63 mm
Measuring range: -1.00 ... 0.00 bar
Shape: Connection at rear
with: additional PSI-Skala
Vacuum connection: G1/4"-M

Design Data



Attribute	Value
B	35 mm
B1	48 mm
D	63 mm
G1	G1/4"-M
LG1	13 mm
SW1	14 mm

Technical Data

Attribute	Value
Construction shape manometers	Anschluss hinten
Weight	130 g

Vacuum gauge

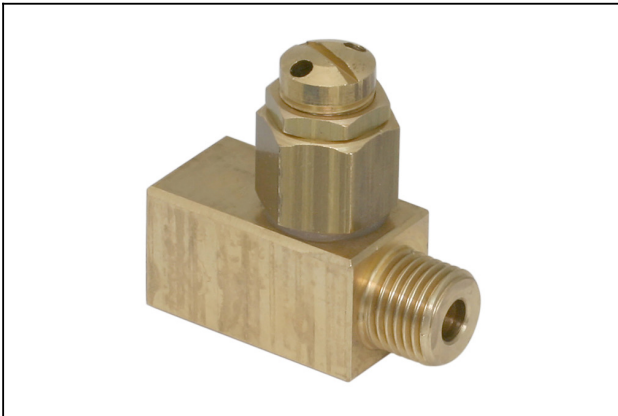
VAM 63 V H PSI

Part no.:10.07.02.00003

<https://www.schmalz.com/10.07.02.00003>



Accessories



DBV-M G1/4-AG MS

Part no.10.05.05.00057

Pressure-limiter valve for manometer

Thread 1: G1/4"-M

Material: Brass