

Compact ejector

SCPS 2-14 G02 NC M12-5 PNP

Part no.:10.02.02.04364

<https://www.schmalz.com/10.02.02.04364>

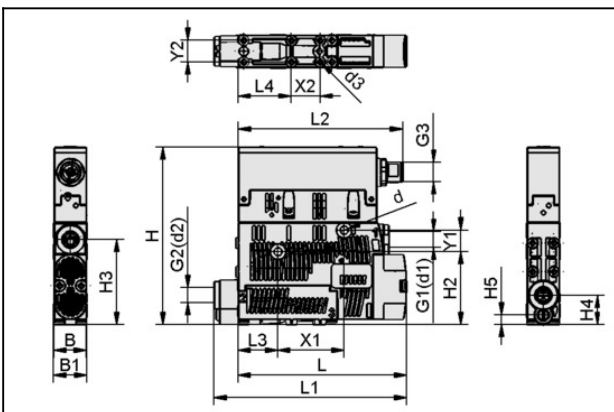
Homepage > Vacuum Technology for Automation > Vacuum Components > Vacuum Generators > Compact Ejectors > Compact Ejectors SCPS / SCPSi > SCPS 2-14 G02 NC M12-5 PNP

Compact ejector



Nozzle size: 2-1,4 mm
 Connection: G1/8"(1)-G1/8"(2)
 Electrical connection:
 Male connect M12, 5 pol
 Suction rate (max): 71.5 l/min
 Air consumption (during evac.):
 82 l/min
 Noise level (free): 75 dB
 Pressure range (operating pressure):
 2.0 ... 6.0 bar
 Vacuum (max): -850 mbar
 Control: Normally closed
 with: digital air-saving function
 Type: Switches to plus
 Protection: IP 65 (with plug)

Design Data



Attribute	Value
B	18 mm
B1	18.6 mm
d	4.4 mm
d3	2.6 mm
G1	G1/8"-F
G2	G1/8"-F
G3	M12x1-M
H	99 mm
H2	40.8 mm

Compact ejector

SCPS 2-14 G02 NC M12-5 PNP

Part no.:10.02.02.04364

<https://www.schmalz.com/10.02.02.04364>



Attribute	Value
H3	47.5 mm
H4	16.5 mm
H5	5.5 mm
L	92.5 mm
L1	106 mm
L2	91.5 mm
L3	22 mm
L4	29.5 mm
X1	36.9 mm
X2	16 mm
Y1	12 mm
Y2	12 mm

Technical Data

Attribute	Value
Nozzle size	2-14
Degree of evacuation	85 %
Suction rate (max.)	4.4 m ³ /h
Suction rate (max.)	71.5 l/min
Air consumption suction	5.04 m ³ /h
Air consumption suction	82 l/min
Air consumption blow off	7.25 m ³ /h
Max. air consumption blow off	118 l/min
Sound level free	75 dB(A)
Sound level suction	70 dB(A)

Compact ejector

SCPS 2-14 G02 NC M12-5 PNP

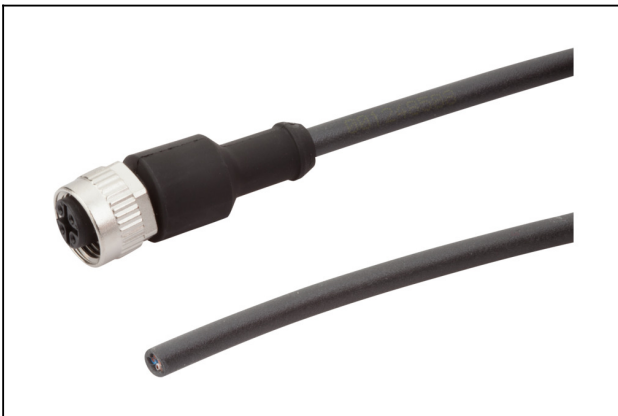
Part no.:10.02.02.04364

<https://www.schmalz.com/10.02.02.04364>



Attribute	Value
Pressure range (operating pressure)	2.0 ... 6.0 bar
Recomm. internal hose diameter compressed air	4 mm
Recomm. internal hose diameter vacuum	6 mm
Weight	0.195 kg
Operating temperature	0 ... 50 °C
Pressure range (operating pressure)	29.0...87.0
Suction rate (max.)	2.524 cfm
Air consumption suction	2.895 cfm
Air consumption blow off	4.267 cfm
Max. vacuum	-25.1 inHg
Product family	SCPS

Accessories



ASK B-M12-5 5000 K-5P

Part no.21.04.05.00080

Connection cable

Interface Connection 1:

Fem connect M12, 5 pol

Cable length: 5000 mm

Interface Connection 2: Cable 5

Material: PUR-Cable

Shape: Straight

Compact ejector

SCPS 2-14 G02 NC M12-5 PNP

Part no.:10.02.02.04364

<https://www.schmalz.com/10.02.02.04364>



ASV SMPI/SCPI 2xS-M12-4

Part no.10.02.02.03490

Connection distributor

for: Ejector SMPI/SCPI

Interface Connection cable:

Fem connect M12, 5 pol

Interface Connection cable:

2xConnect M12, 4 pol

Length L: 1050 mm



VFI CN6/4 50

Part no.10.07.01.00241

Vacuum filter with replaceable filter cartridge

Connection: Hose 6/4 with Cap nut

Filter pore size: 50 µm



VFI CN8/6 50

Part no.10.07.01.00245

Vacuum filter with replaceable filter cartridge

Connection: Hose 8/6 with Cap nut

Filter pore size: 50 µm

Compact ejector

SCPS 2-14 G02 NC M12-5 PNP

Part no.:10.02.02.04364

<https://www.schmalz.com/10.02.02.04364>



GP 4 SCPS 07..15 G2

Part no.10.02.02.04338

Compressed air distributor for use as a manifold and for building ejector blocks

Number of connections: 4

Length L: 108 mm

Width B: 38 mm

Height H: 34 mm

for: Ejector SCPS 07..15 G2



SET SCPS

Part no.10.02.02.04343

Mounting set

for: Compact ejectors SCPS



ABL-SET SCPS zweistufig

Part no.10.02.02.04667

Exhaust air set

for: Compact ejectors SCPS

Size: zweistufig

Compact ejector

SCPS 2-14 G02 NC M12-5 PNP

Part no.:10.02.02.04364

<https://www.schmalz.com/10.02.02.04364>



ASK B-M12-5 1000 S-M12-5

Part no.21.04.05.00158

Connection cable

Interface Connection cable:

Fem connect M12, 5 pol

Cable length: 1000 mm

Interface Connection cable:

Male connect M12, 5 pol

Material: PUR-Cable



ASK B-M12-5 2000 S-M12-5

Part no.21.04.05.00211

Connection cable

Interface Connection cable:

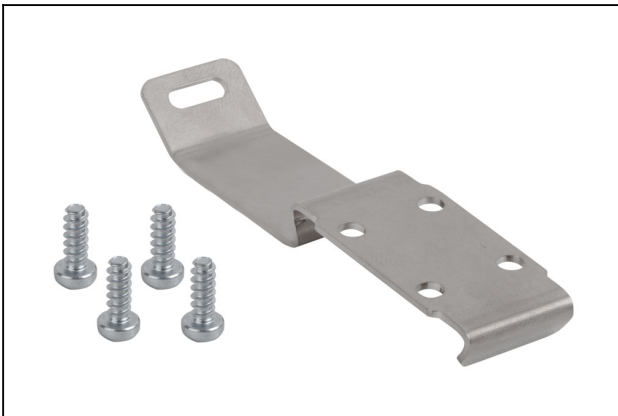
Fem connect M12, 5 pol

Cable length: 2000 mm

Interface Connection cable:

Male connect M12, 5 pol

Material: PUR-Cable



HUT-SN-KL 70x18x8

Part no.10.02.02.04149

Top-hat rail clamp comp.

Length L: 70 mm

Width B: 18 mm

Height H: 8 mm

Section type: EN 50022