

Basic ejector

SEG 25 HS

Part no.:10.02.01.00257

<https://www.schmalz.com/10.02.01.00257>

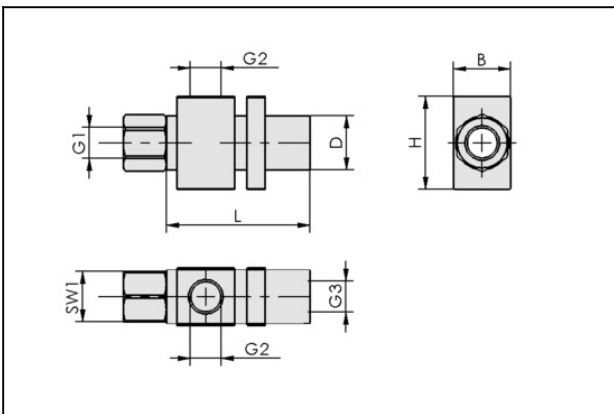
Homepage > Vacuum Technology for Automation > Vacuum Components > Vacuum Generators > Basic Ejectors > Basic Ejectors SEG > SEG 25 HS

Basic ejector with robust housing for universal use



Nozzle size: 2,5 mm
 Shape: For high vacuum
 Suction rate (max): 184 l/min
 Air consumption (during evac.):
 275 l/min

Design Data



Attribute	Value
B	32 mm
D	28 mm
G1	G3/8"-F
G2	G1/2"-F
G3	G1/2"-F
H	50 mm
L	117 mm
SW1	22 mm

Technical Data

Basic ejector

SEG 25 HS

Part no.:10.02.01.00257

<https://www.schmalz.com/10.02.01.00257>



Attribute	Value
Nozzle diameter	2.5 mm
Degree of evacuation	85 %
Suction rate (max.)	184 l/min
Suction rate (max.)	11 m ³ /h
Suction rate (max.)	6.497 cfm
Air consumption suction	275 l/min
Air consumption suction	16.5 m ³ /h
Air consumption suction	9.711 cfm
Pressure range (operating pressure)	3.0 ... 6.0 bar
Pressure range (operating pressure)	43.5...87.0
Pressure optimal	5 bar
Pressure optimal	72.5 psi
Recomm. internal hose diameter compressed air	6 mm
Recomm. internal hose diameter vacuum	12 mm
Weight	273 g
Operating temperature	-10 ... 80 °C

Note: Air consumption: At optimal operating pressure Hose diameter: For max. length 2 m