

Schmalz X-Pump

SXMPi 30 IMP Q M12-8

Part no.:10.02.02.03821

<https://www.schmalz.com/10.02.02.03821>



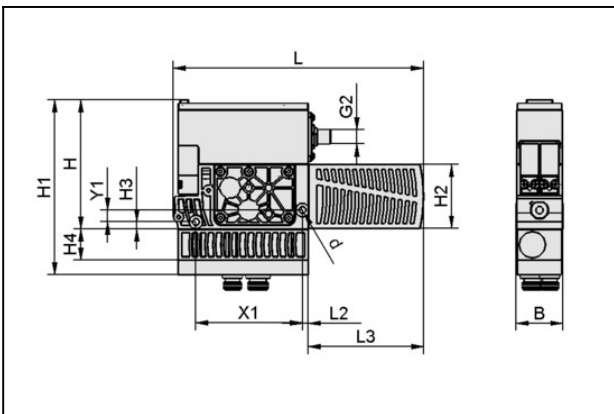
Homepage > Vacuum Technology for Automation > Vacuum Components > Vacuum Generators > Compact Ejectors > Compact Ejectors X-Pump SXPi / SXMPi with IO-Link > SXMPi 30 IMP Q M12-8

Compact ejector with Condition Monitoring, power blow-off function and pneu. air-saving function



Nozzle size: 3,0 mm
 Control: Double pilot valve
 Pneum. Connection: Quick Change
 Electrical connection:
 Male connect M12, 8 pol
 Suction rate (max): 220 l/min
 Air consumption (during evac.):
 380 l/min
 Communication: IO-Link (Class A)
 Vacuum (max): -850 mbar
 Noise level (free): 72 dB
 Protection: IP 65

Design Data



Attribute	Value
B	39 mm
d	5.5 mm
G2	M12x1-M
H	108 mm
H1	146 mm
H2	54 mm
H3	6 mm
H4	26 mm
L	210 mm
L2	5 mm

Schmalz X-Pump

SXMPi 30 IMP Q M12-8

Part no.:10.02.02.03821

<https://www.schmalz.com/10.02.02.03821>



Attribute	Value
L3	97 mm
X1	89 mm
Y1	10 mm

Technical Data

Attribute	Value
Suction rate (max.)	220 l/min
Nozzle diameter	3 mm
Degree of evacuation	85 %
Air consumption suction	380 l/min

Note: The supply voltage for vacuum switches and solenoid valves is 24V DC Air consumption: At optimal operating pressure Hose diameter: For max. length 2 m

Spare Parts



SD 96x54x40 SXPi/SXMPi

Part no.10.02.02.02124

Silencer for vacuum generators

Length L: 96 mm

Width B: 54 mm

Height H: 40 mm

for: Compact ejectors SXPi/SXMPi

Accessories

[Contact to Schmalz](#)

Schmalz Inc. | 5850 Oak Forest Dr, Raleigh, NC 27616, USA | +1 (919) 713-0880 | schmalz@schmalz.us

Page 2 of 3

Schmalz X-Pump

SXMPi 30 IMP Q M12-8

Part no.:10.02.02.03821

<https://www.schmalz.com/10.02.02.03821>



ASK B-M12-8 5000 K-8P

Part no.21.04.05.00079

Connection cable

Interface Connection 1:

Fem connect M12, 8 pol

Cable length: 5000 mm

Interface Connection 2: Cable 8

Material: PUR-Cable



GPQ1 122x46x43 SXPi/SXMPi

Part no.10.02.02.02473

Baseplate for the construction of ejector blocks

Length L: 122 mm

Width B: 46 mm

Height H: 43 mm

Number of connections: 1

for: Compact ejectors SXPi/SXMPi



GPQ2 122x87x48 SXPi/SXMPi

Part no.10.02.02.02154

Baseplate for the construction of ejector blocks

Length L: 122 mm

Width B: 87 mm

Height H: 48 mm

Number of connections: 2

for: Compact ejectors SXPi/SXMPi