

Vacuum hose

VSL 71-60 PU-DS

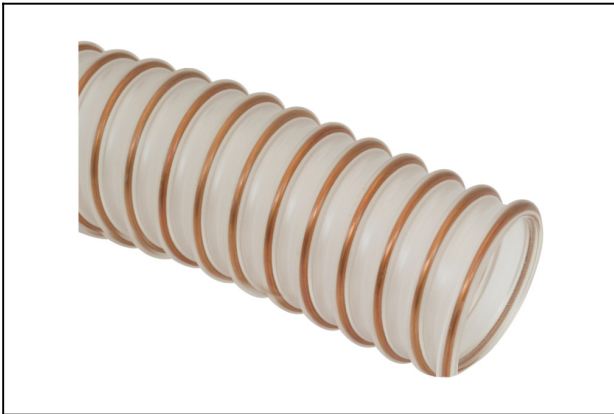
Part no.:10.07.09.00034

<https://www.schmalz.com/10.07.09.00034>

Homepage > Vacuum Technology for Automation > Vacuum Components > Filters and Connections > Hoses and Connectors > Vacuum /

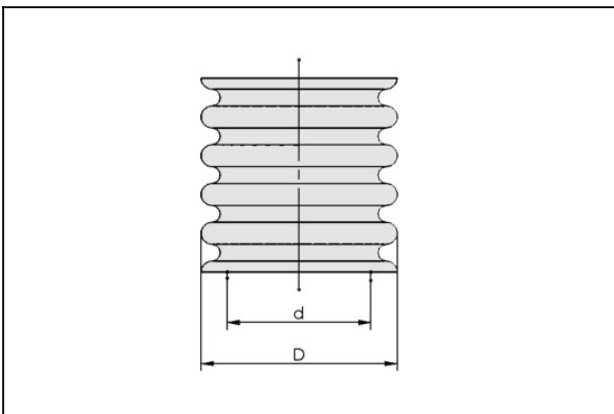
Compressed Air Hoses VSL > VSL 71-60 PU-DS

Hose for vacuum and compressed-air systems



External diameter D: 71 mm
 Internal diameter d: 60 mm
 Length (max): 10 m
 Material: PU, with wire spiral
 Installation radius (min): 105 mm
 Pressure range (operating pressure):
 -0.74 ... 2.55 bar
 Ambient temperature: -20 ... 90 °C

Design Data



Attribute	Value
d	60 mm
D	71 mm

Technical Data

Attribute	Value
Hose type	71-60
Pressure range (operating pressure)	-0.74 ... 2.55 bar
Operating temperature	-20 ... 90 °C

Vacuum hose

VSL 71-60 PU-DS

Part no.:10.07.09.00034

<https://www.schmalz.com/10.07.09.00034>

Attribute	Value
Bending radius min.	105 mm
Length max.	10 m
Gewicht/Meter	840 g/m
Gewicht/Meter	0.84 kg/m
Material hose	PU, with wire spiral

Note: Operating pressure: In reference to media and ambient temperature of + 20°C Bending radius: Referred to the inner side of the hose bend in a static state Max. length: Please indicate the tube length when placing the order!

Accessories



SSD 64-70 A2

Part no.10.07.10.00098

Hose clamp for securing wire-reinforced hoses

Clamping range: 64.0 ... 70.0 mm

Material: Aust. Stainless steel