

Air Breathers

Air Breathers

Air Breathers

Suction Separators and Strainers

Oil Sight Glasses

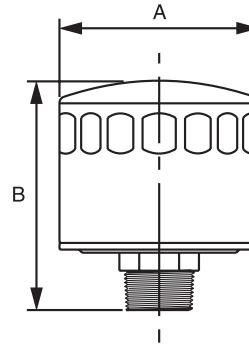
Schroeder offers high quality breathers to effectively combat the ingestion of airborne contamination and moisture, therefore increasing the efficiency and reliability of the system.

Available breather series are ABF, PAB, SAB, and D-AB. Many are available with filler strainer, dipstick, indicator and check/relief valve options. The ABC air breather check can take the guesswork out of when to change your breather.

ABF-3/10 MBF-3-M-P20 ABF-3/10-M-P12 MBF-10-M-P20 ABF-S40 ABF-S40-M-P12

Features and Benefits

- Durable metal housing
- Optional dipstick or filler strainer
- Large pleated surface areas offers high dirt holding and air flow capacity
- NTP or Flange adapter available
- Available with three micron rating



Breathers with NPT Adapters



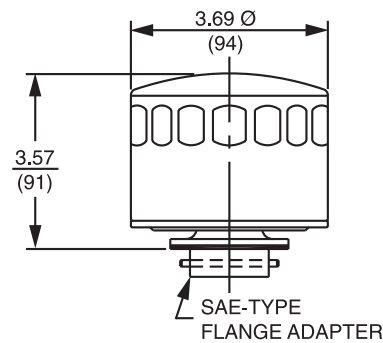
Specifications

Model Number	A	B	Adapter Type	Minimal Micron Retention	Normal Capacity	Air Flow/psi Drop
ABF-3/10 ABF-3/10-M-P12	3.69 (94)	4.28 (109)	.75" NPT Nylon .75" NPT Steel	3 3	40 SCFM	0.4 psi at 20 SCFM- 1.25 psi at 40 SCFM
ABF-S40 ABF-S40-M-P12	3.69 (94)	4.28 (109)	.75" NPT Nylon .75" NPT Steel	40 40	40 SCFM	0.29 psi at 20 SCFM- 1.06 psi at 40 SCFM
MBF-3-M-P20 MBF-10-M-P20	5.06 (128)	8.31 (211)	1.25" NPT Steel	3 10	200 SCFM	0.3 psi at 70 SCFM- 1.25 psi at 200 SCFM

SCFM = Standard Cubic Feet per Minute

ABF-3/10-F ABF-S40-F

These breathers are designed for retrofit on hydraulic reservoirs using the SAE-type flange fill port assembly.



Breathers with Flange Adapters



Air Breathers

Breathers with Dipstick

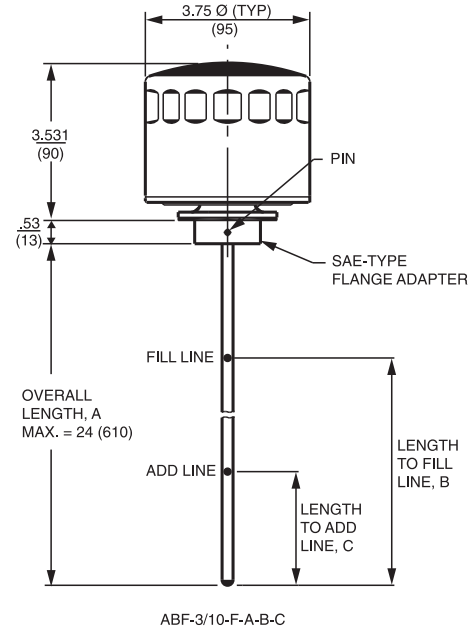
ABF-3/10FA, B, C ABF-S40FA, B, C

The air breathers above are also available with a dipstick up to 24 inches in length. The dimensions to the "add line" and the "fill line" must be specified in the model number ABF-3/10-F, A, B, C, where:

- A = overall length of the dipstick in inches
- B = length from tip of dipstick to fill line in inches
- C = length from tip of dipstick to add line in inches

For safety reasons, the tip of the dipstick is rounded. No tools are needed for installation and removal. A quarter turn should snugly seal the breather in place.

Minimum order quantity is 12.



Filler Breather with Strainer

ABF-3/10-S
ABF-3/10-S6

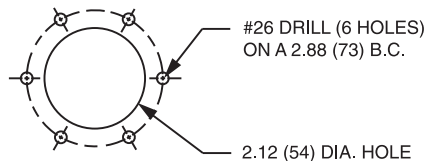
ABF-S40-S
ABF-S40-S6

The strainer used here is #24 mesh and is available in the lengths shown.

Model Number	Adapter Type	Minimal Micron Retention	Normal Capacity	Air Flow/psi Drop
ABF-3/10-S ABF-3/10-S6	SAE-type flange	10 10	40 SCFM	0.4 psi at 20 SCFM - 1.25 psi at 40 SCFM
ABF-S40-S ABF-S40-S6	SAE-type flange	40 40	40 SCFM	0.29 psi at 20 SCFM - 1.06 psi at 40 SCFM

SCFM = Standard Cubic Feet per Minute

To replace breather only, order ABF-3/10-F or ABF-S40-F.



MOUNTING REQUIREMENT

