

FILL-RITE®

Owner's Operation and Safety Manual
Portable DC Powered Fuel Transfer Pump

**PORTABLE
SERIES**
RD



PROUDLY
 **Made in
USA**

Original Instructions

Table of Contents

Safety Information	3
Installation	3
Bung Mount Configuration.....	4
Mounting Foot and Nozzle Boot Installation.....	4
Suction Hose Configuration.....	5
Fueling Safety.....	6
Flange Configuration	5
DC Power Connection	6
Power Switch	7
Operational Safety.....	7
Troubleshooting.....	8
Cleaning the Inlet Screen.....	9
Accessories	9
Technical Information	10
Motor Tag Information.....	10
Kits and Parts	11
Safety Testing Certifications	11

Thank You!

Thank you for your purchase of the RD series portable pump! Your Fill-Rite® product comes with over 80 years of pump manufacturing experience behind it, providing you the value that comes with superior performance, user friendly design, outstanding durability, and solid, simple engineering. Experience that gives you peace of mind.

Tuthill. Pump Your Heart Into It!

About This Manual

From initial concept and design through its final production, your Fill-Rite® pump is built to give you years of trouble-free use. To ensure it provides that service, and to avoid injury or death, it is critical that you read this entire manual prior to attempting to install or operate your new pump. Become familiar with the terms and diagrams, and pay close attention to the highlighted areas with the following labels:



DANGER! Emphasizes an area in which personal injury or even death **will** result from failure to follow instructions properly. Mechanical damage may also occur.



WARNING! Emphasizes an area in which personal injury or even death **may** result from failure to follow instructions properly. Mechanical damage may also occur.



CAUTION! Failure to observe a “Caution” may cause damage to the equipment.



IMPORTANT! These boxes contain information that illustrates a point that may save time, or be key to proper operation, or clarifies a step.

At Tuthill, your satisfaction with our products is paramount to us. If you have questions or need assistance with your product, please contact us at 1-800-634-2695 (M-F 8 AM–5 PM ET).

Safety Information



DANGER! Electrical wiring should be performed with extreme caution and in compliance with local, state, and national electrical code NEC/ANSI/NFPA 70, NFPA 30, and NFPA 30A, as appropriate for the intended use of the pump. Threaded rigid conduit, sealed fittings, and conductor seal should be used where applicable. The pump must be properly grounded. If installing in deviation of this manual, a licensed electrician must perform the installation. Improper installation or use of this product will result in serious bodily injury, or death!



DANGER! To ensure safe and proper operation of your equipment, it is critical to read and adhere to all of the following safety warnings and precautions. Failure to follow instructions below, improper installation, or use of this product, will cause serious bodily injury or death!

- **NEVER** smoke near the pump, or use the pump near open flames when pumping a flammable liquid! Fire can result!
- This product shall not be used to transfer fluids into any type of aircraft due to spark / static discharge possibility. Spark / static discharge will cause explosions.



DANGER! To minimize static electricity build up and possible explosion, use only static wire conductive hose when pumping flammable fluids, and keep the fill nozzle in contact with the container being filled during the filling process. Spark / static discharge will cause explosions.



WARNING! Threaded pipe joints and connections should be sealed with the appropriate sealant or sealant tape to minimize the possibility of leaks. Leaking fuel may cause the potential for fire and explosion.



CAUTION! The pump motor is equipped with thermal overload protection; if overheated, the motor will shut off to prevent damage to the windings. If this happens, you must turn off the pump power to reset this safety feature, and turn the pump back on when it has cooled to continue use. The pump will not restart until properly cooled.



CAUTION! This product is not suited for use with fluids intended for human consumption or fluids containing water. Materials of construction are not food grade. The pump is water tolerant, however, extended use with water will shorten the life of the vanes, and can cause swelling of the rotor. Flush / drain the pump after pumping water to be certain water does not stand in the pump body to prevent premature wear. Flush with a petroleum product (gasoline, diesel, light oil, etc) to eradicate residual water.



IMPORTANT! A Fill-Rite Filter should be used on the pump outlet to ensure no foreign material is transferred to the fuel tank. Foreign material can damage the equipment being fueled.

Installation

The Fill-Rite RD Series pump is designed to be portable for your convenience and safety. It features a unique hinged vane design that eliminates the need for a bypass valve. Because of its unique nature, the RD series pumps can be installed / used in several configurations. Read each configuration prior to beginning installation.



WARNING! The RD Series pump is designed primarily for portable applications, using skid tanks, drums, barrels, and other portable fuel containers to supply fuel. It is paramount to anchor the supply tank or drum to which the pump is connected to ensure no movement occurs in transit or while fueling. Failure to secure the tank or drum can cause unexpected and uncontrolled movement, resulting in damage, injury, death, and potential fire or explosion.



IMPORTANT! Do not use check valves or foot valves; valves reduce rate of flow and performance of the pump.

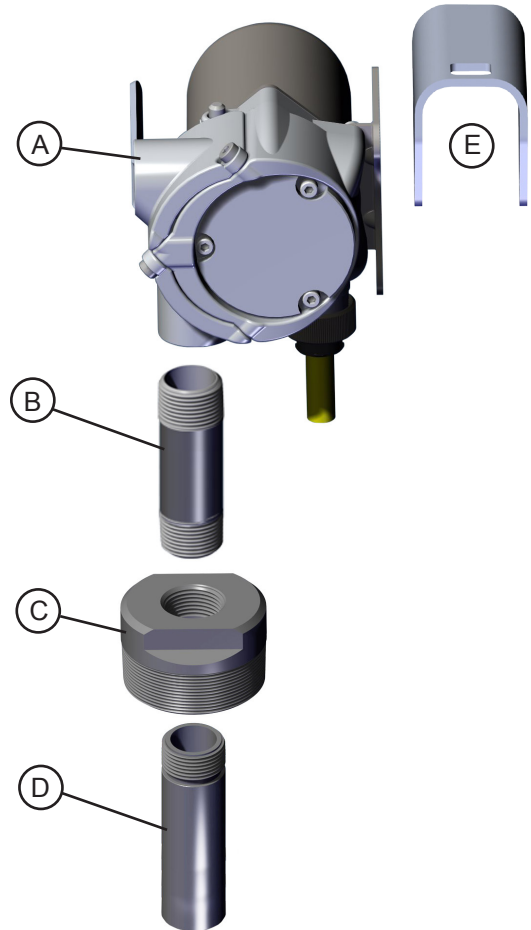
Bung Mount Configuration



WARNING! Threaded pipe joints and connections should be sealed with the appropriate sealant or sealant tape to minimize the possibility of leaks. Leaks create the potential for fire or explosion.

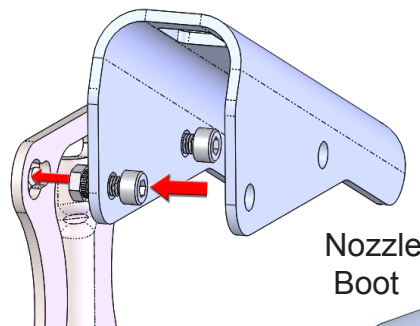
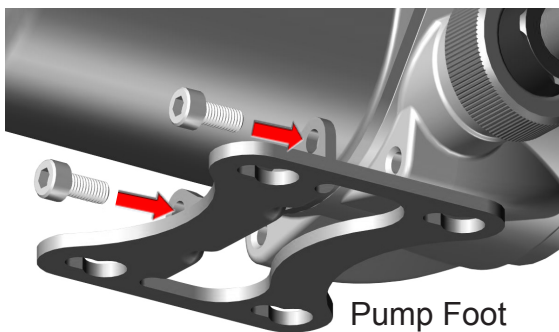
The RD series pump mounts to the bung by way of the bung adapter suction tube. The suction tube threads into the bung adapter, and must be adjusted to a length that positions it within 3" from the bottom of the tank. The tank or drum must be vented. Be certain power is disconnected before proceeding.

1. Change outlet configuration (A) for horizontal discharge (optional). See Page 6 for instructions.
2. Screw nipple (B) into pump inlet and tighten liquid tight.
3. Screw other end of nipple into bung adapter (C) and tighten liquid tight.
4. Screw threaded end (D) of the adjustable suction tube into the bottom of the bung adapter.
5. Extend suction pipe into tank or barrel opening to within 3" of bottom of tank or barrel. **Do not** rest suction pipe on bottom.
6. Thread bung adapter into bung and tighten.
7. Install discharge hose with a nozzle or valve at the end that can be shut off tightly to prevent siphoning when the pump is not in use.
8. Attach nozzle boot (E) to pump foot (optional).



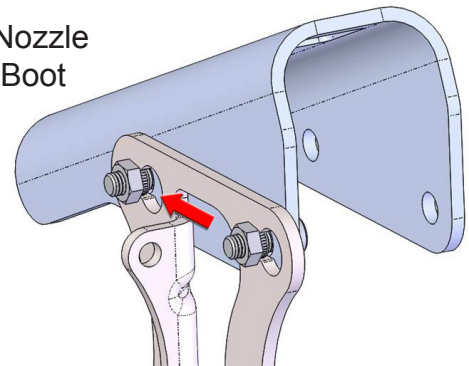
Mounting Foot and Nozzle Boot Installation

The mounting foot is bolted to the bottom of the pump using the two supplied socket head cap screws. Mount the foot with the longest side facing the front of the pump as illustrated. Torque to 50 in/lbs. with 4 mm hex key.



In bung mount applications a nozzle boot can be attached to the pump mounting foot for nozzle storage.

- Insert the two - 5 mm socket head cap screws through the nozzle boot.
- Thread the clinch nuts partially onto the 4mm socket head cap screws.
- Insert the nut / screw assembly through slotted openings in the pump foot.
- Slide the assembly into the narrow end of the slots.
- Use a 4mm hex head key to tighten the nozzle boot into place.

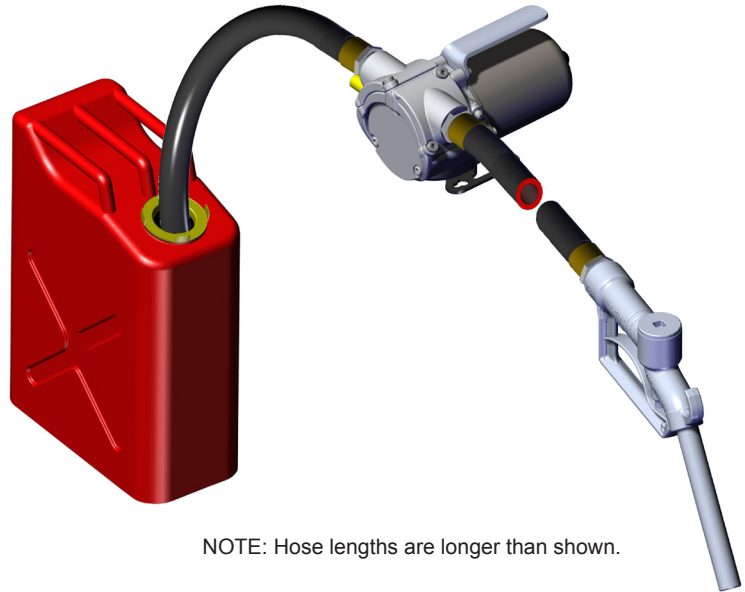


Suction Hose Configuration



WARNING! Threaded pipe joints and connections should be sealed with the appropriate sealant or sealant tape to minimize the possibility of leaks. Leaks create the potential for fire or explosion.

1. Select chemically compatible inlet and outlet hoses that contain a static discharge wire, are for use with flammable liquids, and are rated to at least 50 psi.
2. Reconfigure inlet and outlet flanges if necessary (optional). Instructions below.
3. Use a conductive nozzle or valve at the end of the discharge hose that can be shut off tightly to prevent accidental siphoning when the pump is not in use.
4. **NOTE:** If pumping from a metal container, the metal end of suction hose **MUST** be in contact with the metal container for electrical continuity.



NOTE: Hose lengths are longer than shown.

Fueling Safety

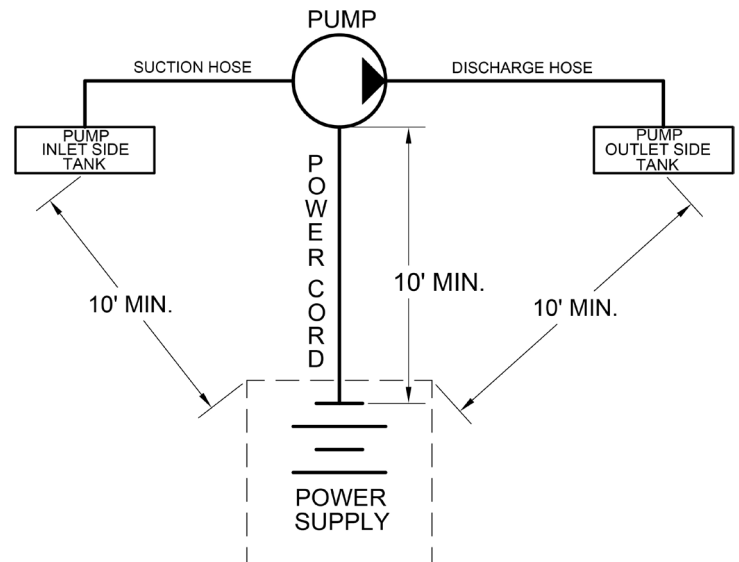


DANGER! Fumes accumulated while fueling create an Explosive Atmosphere. It is **CRITICAL** that all possible sources of ignition be removed to a safe distance or extinguished. Sources of ignition would include (but not be limited to) open flames, cigarettes, static discharge, or electrical connections that can create a spark. Explosion, fire, and severe injury or death will occur if the explosive vapors are ignited.

Fumes accumulated while fueling create an Explosive Atmosphere around the tank that is being filled. To avoid possible explosion of accumulated vapors, it is critical to keep possible sources of spark / ignition at safe distances from the fuel vapors.

The accompanying diagram shows minimum safe distances for safe fueling. 10' is the minimum safe distance between:

- Power source and fuel supply.
- Power source and tank being filled.
- Power source and pump.



<p>WARNING</p> <ul style="list-style-type: none"> • STATIC ELECTRIC SPARK EXPLOSION HAZARD • NEVER fill portable containers that are in or on vehicles 		<ul style="list-style-type: none"> • ALWAYS PLACE CONTAINERS ON GROUND • Keep nozzle in contact with container while filling. 	<p>A static electric spark can occur when filling portable containers sitting on truck bed liners, or on any vehicle's carpeting or floor matting.</p> <p>This spark will explosively ignite a gasoline vapor fire and cause SERIOUS INJURY or DEATH</p>
---	--	---	--

Flange Configuration

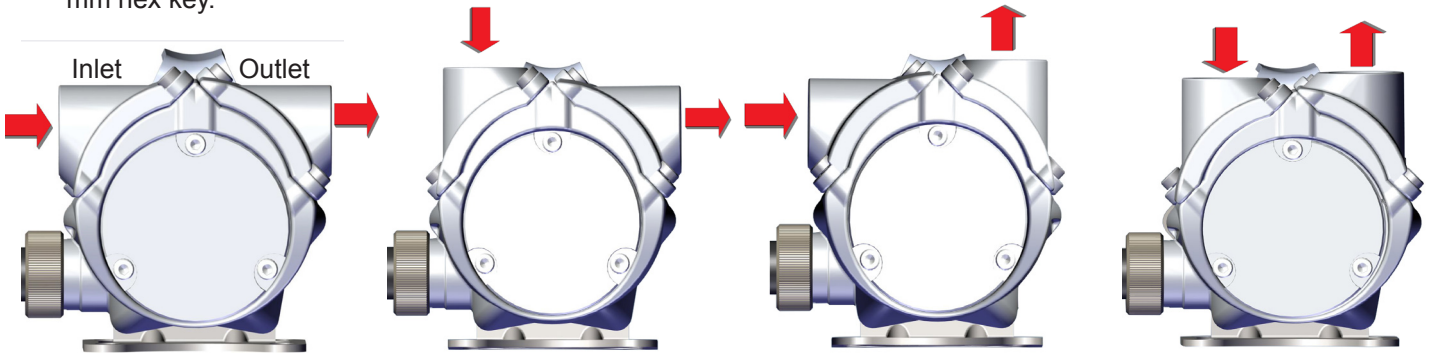
WARNING! Be certain seals and screen are properly positioned and clean any time the flanges are reconfigured. Improperly installed or dirty seals or screens could cause leaks and the potential for fire or explosion

CAUTION! Always be certain the power switch is accessible after reconfiguring the inlet and outlet ports.

The inlet and outlet flanges of your RD series pump can be configured vertically, horizontally, or a combination of both.

To change the position of a flange:

1. Remove the two socket head cap bolts holding the flange in position.
2. Remove the flange; examine the sealing surfaces to be certain they are clean and will seal properly.
3. Position the seal and screen, and place the flange in the desired position.
4. Use the two socket head cap bolts to reattach the flange firmly to the pump housing. Torque to 50 inch lbs. with a 4 mm hex key.



DC Power Connection

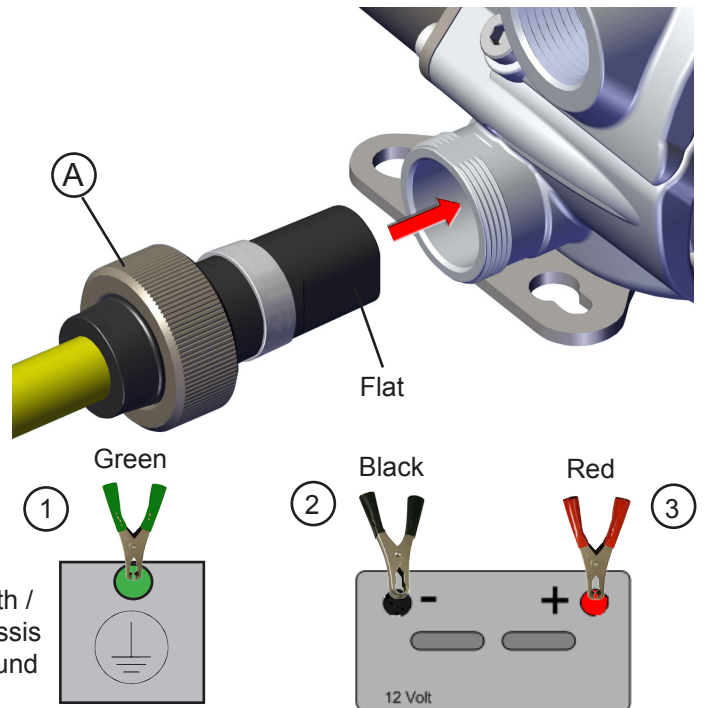
DANGER! Be certain the power switch is “OFF” prior to connecting the battery clamps / power cables to the power source or installing the cable into the pump to prevent unexpected starting of the motor. Unexpected motor start can cause unintended discharge of fuel, creating an explosion and fire hazard.

Inspect power cable before each use! Damage to the outer jacket of the cable that exposes wiring requires replacement of the power cable.

Install power cable by aligning flat on plug with front of pump. Insert the plug into the pump housing as shown. Lock into place using the threaded collar (A). **HAND TIGHTEN ONLY!** The power cable terminates in green, black, and red clamps. All three clamps must be used.

1. The green (ground) clamp should be connected first. Connect the green clamp to the vehicle chassis or earth ground. **DO NOT** connect the green clamp to the negative power source post.
2. Next, connect the black (negative) clamp to the negative post of the DC power source.
3. Connect the red (positive) clamp to the positive post last.

Clamps should be disconnected in reverse order.



Power Switch



DANGER! Be certain the power switch is “OFF” prior to connecting the battery clamps / power cables to the power source or installing the cable into the pump to prevent unexpected starting of the motor. Unexpected motor start can cause unintended discharge of fuel, creating an explosion and / or fire hazard.



WARNING! The RD series pump body can become hot with extended use. Always use the handle to lift and carry the pump when moving it. Use caution when gripping the handle as exposed skin may be burned if it contacts a hot pump.



IMPORTANT! The RD series pump uses thermal overload protection to prevent overheating. If the pump shuts off due to thermal overload, turn the power switch “OFF”. Once the pump cools the switch can be set to “ON” again to reset the thermal protection.

The RD series pump features a sliding ON / OFF power switch. The switch is located on top of the pump at the back of the pump housing. To operate the pump, push the switch to the desired position. Push “ON” to operate the pump, and push “OFF” to turn the pump off.

NOTE: The side where the switch button is depressed is the function the switch is performing.

Pump off



Pump on



Operational Safety



DANGER! DO NOT use pump in enclosed areas when pumping hazardous or explosive fluids. Pumping area should be well ventilated. Concentrated vapors in an enclosed area are noxious and highly explosive!



WARNING! NEVER disconnect the power cable from the pump while pump is switched on or connected to a power source. **ALWAYS** switch the pump off and disconnect all the clamps from the power source **PRIOR** to disconnecting the power cable from the pump. Electrical shorts, sparks, or unexpected start up can occur.



WARNING! Use caution when operating or carrying the pump. The hoses and electrical power cable can be a trip hazard; caution should be exercised any time the pump is moved with the hoses and power cable connected to avoid tripping or entanglement.



WARNING! Pump assembly can become hot with extended use. Use caution when handling the pump after use; always use the handle to move or hold the pump. Pump has 30 minute on / 30 minute off duty cycle.



CAUTION! DO NOT operate the pump if any part of the explosion proof motor construction is missing or compromised. Disassembly of the motor will compromise the explosion proof design and void any warranty.



CAUTION! DO NOT operate the pump dry for more than 30 seconds. **DO NOT** operate the pump in bypass more than 5 minutes. Damage to the pump will occur.

Troubleshooting

This Troubleshooting guide provides basic diagnostic assistance. If you have further questions, contact us at 1-800-634-2695 (M-F 8 AM–5 PM ET), or on the web at “www.fillrite.com”.



DANGER! DO NOT open or attempt to repair the motor on your Tuthill pump. Return it to the place of purchase for service. Opening the motor case will compromise the integrity of the Explosion Proof construction and void any existing warranty, approvals, and certifications (i.e.: ATEX, UL listing, CE, etc.).



DANGER! Disconnect all power prior to performing any service or maintenance. Failure to disconnect the power may cause electrical shock, or unexpected starting of the motor, resulting in injury or death.

Symptom	Cause	Cure
Pump won't prime.	Suction line problem.	Check suction line for leaks or restrictions; it may be too small in diameter, too long, not air tight, or too low vertically.
	Vanes sticking.	Check vanes for nicks, damage, obstructions, or excess wear. Replace as necessary.
	Excessive rotor, vane, rotor cover, or housing wear.	Inspect rotor, vanes, rotor cover, and housing for excess wear; replace as necessary.
	Inlet / Outlet blocked.	Check pump, hose, nozzle, and filter / strainer for blockage.
	Vapor lock.	Reduce vertical or horizontal distance from pump to liquid.
	Power connections reversed.	Correct power connections.
Low capacity.	Excessive dirt in screen.	Remove and clean screen.
	Suction line problem.	Check suction line for leaks or restrictions; it may be too small in diameter, too long, not air tight, or too low vertically.
	Excessive rotor, vane, rotor cover, or housing wear.	Inspect rotor, vanes, rotor cover, and housing for excess wear; replace as necessary.
	Hose or nozzle damage.	Replace hose or nozzle.
	Low fluid level.	Refill tank.
	Incorrect voltage.	Check incoming line voltage while pump is running.
	Vanes sticking.	Check vanes for nicks, damage, obstructions, or excess wear. Replace as necessary.
	Wiring problem.	Check for loose connections.
	Motor problem.	Return to place of purchase.
Motor stalls / fuse blows.	Short in wiring.	Inspect electrical cable for shorts and replace as necessary.
	Excess rotor or vane wear.	Check vanes for nicks, damage, obstructions, or excess wear. Replace as necessary.
	Pump rotor lock-up.	Clean and inspect rotor and vanes.
	Debris in pump cavity.	Clean debris from pump cavity.
	Components swell from pumping water.	Let pump dry completely.

Bold text indicates repairs that are not serviceable by the owner; pump must be returned to the point of purchase for repairs.

Troubleshooting (cont'd)

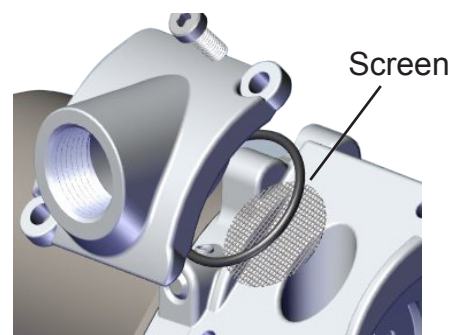
Symptom	Cause	Cure
Fluid leakage.	Bad o-ring gasket.	Check all o-rings.
	Bad shaft seal.	Return to place of purchase.
	Incompatible fluid.	Refer to wetted parts list (page 10).
	Loose fasteners.	Tighten fasteners.
	Inadequate plumbing seals.	Reseal plumbing connections.
Pump hums but will not operate.	Motor failure.	Return to place of purchase.
Motor overheats.	Pumping high viscosity fluids.	These fluids can only be pumped for short periods of time (less than the 30 minute duty cycle).
	Clogged screen.	Remove and clean screen.
	Restricted suction pipe.	Remove and clean pipe.
	Motor failure.	Return to place of purchase.
	Pump rotor lock-up.	Clean and inspect rotor and vanes.
	No power.	Check incoming power.
	Switch failure.	Return to place of purchase.
Motor inoperative.	Incorrect or loose wiring.	Check wiring / connections.
	No power.	Check incoming power.
	Switch failure.	Return to place of purchase.
	Motor failure.	Return to place of purchase.
	Motor overheated.	Switch off and allow to cool.
	Incorrect or loose wiring.	Check wiring / connections.
Fuse has blown.	Replace 30A fuse.	

Bold text indicates repairs that are not serviceable by the owner; pump must be returned to the point of purchase for repairs.

Cleaning the Inlet Screen

Regular inspection and cleaning of the inlet screen on your RD series pump helps maintain performance and flow. Access the screen by removing the inlet flange as described on page 5. Clean, rinse, and dry the screen thoroughly before re-installing.

Inspect the screen, seals, and flange area for debris and damage. If screen or O-rings are damaged, replace with kit KIT812SL.



Accessories

Accessory	Description
1200KTF7018	10 Micron Particulate Filter Kit (Bung mount installations only)
F1810PM0	10 Micron Replacement Spin-on Filter (Particulate) (Bung mount installations only)
1210KTF7019	Hydrosorb Filter Kit (Bung mount installations only)
F1810HM0	Hydrosorb Replacement Spin-on filter. (Bung mount installations only)
FRHMN075S	3/4" Manual Nozzle

Technical Information

Motor	RD8	RD12
Power - DC 12, 24, 12/24	12 VDC	12 VDC
HP (horsepower) rating	1/6 HP	1/6 HP
Power cable length	10'	10'
Power cable gauge	14 AWG	14 AWG
Power cable DC battery connectors	Yes	Yes
Amps (FLA)	14 A	14 A
RPM	3600	3600
Duty cycle	30 min. ON / 30 min. OFF	30 min. ON / 30 min. OFF
Thermal Protection	Yes	Yes
Circuit protection fuse	Yes (30 Amp Fuse)	Yes (30 Amp Fuse)
Certification	UL/cUL Motor/CE/ATEX/IECEX Pump	UL/cUL Motor/CE/ATEX/IECEX Pump
Pump		
Type- rotary, diaphragm, gear, vane	Rotary Hinged Vane	Rotary Hinged Vane
Flow Rate (with supplied hose / nozzle)	Up to 8 GPM / 30 LPM	Up to 12 GPM / 45 LPM
Flow Rate open flow - no hose or nozzle	Up to 10 GPM / 38 LPM	Up to 13 GPM / 50 LPM
Max discharge pressure	16 PSI	16 PSI
Dry vac (in Hg)	5 in vacuum	5 in vacuum
Head- Max (ft)	37'	37'
Anti-siphon valve	None	None
Inlet - Size / Thread	3/4" NPT / BSPP	3/4" NPT / BSPP
Outlet - Size / Thread	3/4" NPT / BSPP	3/4" NPT / BSPP
Mount	2" Bung (NPT) / BSPT	2" Bung (NPT) / BSPT
Materials of construction -pump housing	Aluminum	Aluminum
Materials of construction- wetted material	BUNA-N + HNBR	BUNA-N + HNBR
Rotor materials of construction	Nylon	Nylon
Rotor vane material of construction	Acetal	Acetal
Compatible fluids	Diesel, Gasoline, BioDiesel up to B20, E15, Kerosene, Mineral Spirits, Methanol (up to 15%)	Diesel, Gasoline, BioDiesel up to B20, E15, Kerosene, Mineral Spirits, Methanol (up to 15%)
Strainer Mesh Size	20 x 20	20 x 20
Warranty (yr)	2 Year	2 Year
Maximum Sound Level	65 dB (A)	65 dB (A)

Motor Tag Information

The carrying handle on your RD series pump contains important technical, performance, and certification information. For your specific model certification, reference the regulatory marks on your pumps handle. Be certain this handle remains affixed to the pump at all times.



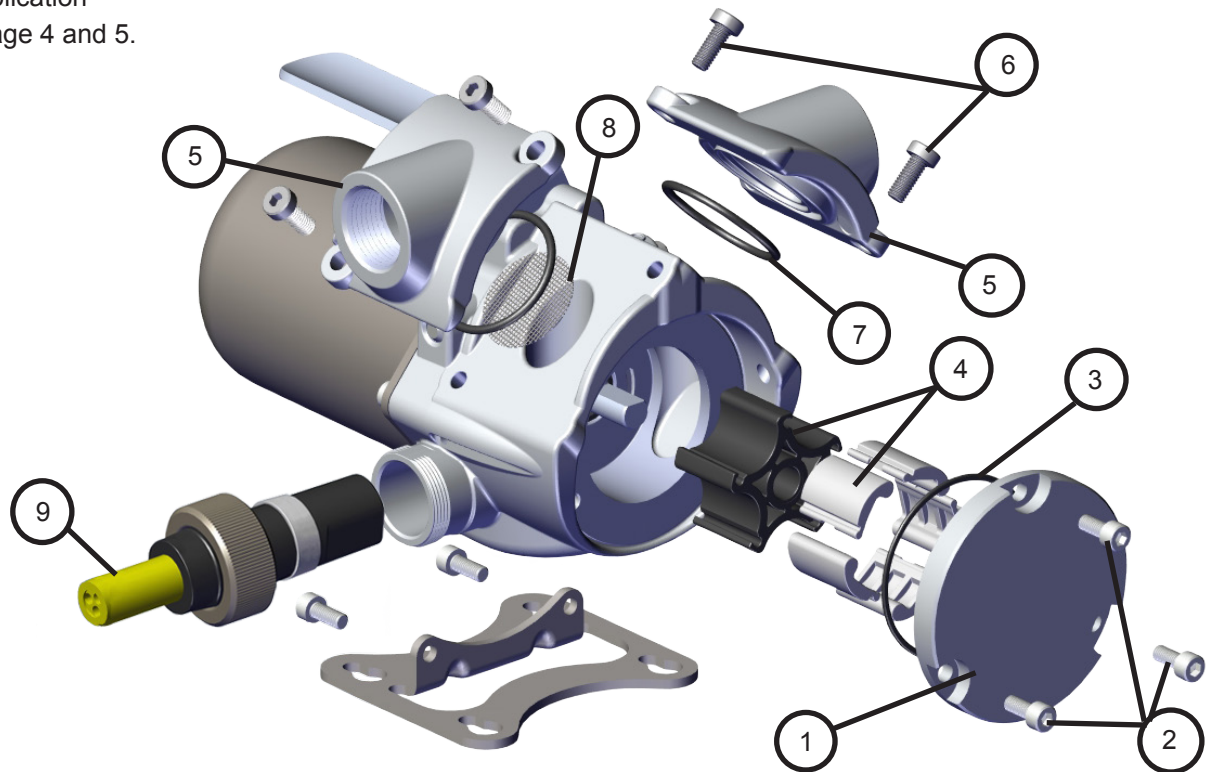
Kits and Parts

Kit Number	Description	Parts
KIT812PC	Power Cable Kit	Quick Connect Power Cable Assembly ⑨ and Instructions*
KIT812PCE	Power Cable Kit (Europe)	Quick Connect Power Cable Assembly ⑨ and Instructions*
KIT812RG KIT1212RG**	Rebuild Kit	Rotor & Vanes ④, Rotor Cover ①, Inlet Screen ⑧, Flange O-rings ⑦, Rotor Cover O-Ring ③, Flange Fasteners ⑥, Rotor Cover Fasteners ②, and Instructions*
KIT812FL	Single Flange Kit (NPT)	Flange ⑤, Inlet Screen ⑧, Flange O-Ring ⑦, Flange Fasteners ⑥, and Instructions*
KIT812FLB	Single Flange Kit (BSPP)	Flange ⑤, Inlet Screen ⑧, Flange O-Ring ⑦, Flange Fasteners ⑥, and Instructions*
KIT812SL	Seal Kit	Inlet Screen ⑧, Flange O-rings ⑦, Rotor Cover O-Ring ③, Flange Fasteners ⑥, Rotor Cover Fasteners ②, and Instructions*
KIT812NH	Hose Kit	3/4" x 6' Suction Hose [◊] , 5/8" x 8' Discharge Hose [◊] , PTFE Tape*, and Instructions*
KIT1212NH**	Hose Kit	3/4" x 6' Suction Hose [◊] , 3/4" x 8' Discharge Hose [◊] , PTFE Tape*, and Instructions*
KIT812NP	Bung Mount Kit	Suction Tube [◊] , Bung Adapter [◊] , Nipple [◊] , Nozzle Boot [◊] , Nozzle Boot Fasteners [◊] , PTFE Tape*, Instructions*

*Item not shown.

**Kit for RD12 Application

◊Item shown on page 4 and 5.



Safety Testing Certifications

This Fill-Rite line of pumps have been safety tested for compliance to strict regulatory standards. Check the information on the handle of your pump to determine the certifications that are applicable to your particular model.

Certification testing information is located on the back cover of this manual.

Safety Testing Information

The following standards were used to show compliance in North America:

UL 674 – Electric Motors and Generators for Use in Division 1 Hazardous (Classified) Locations, 5th Edition. The following standards were used to show compliance in the European Union:

Directive 2014/34/EU – Equipment and protective systems intended for use in potentially explosive atmospheres.

EN 60079-0:2012 Explosive atmospheres – Part 0: Equipment – General requirement.

EN 60079-1:2014 Explosive atmospheres – Part 1: Equipment protection by flameproof enclosures “d”.*

IEC 60079-0 Explosive atmospheres – Part 0: Equipment – General requirements, 6th Edition.

IEC 60079-1 Explosive atmospheres – Part 1: Equipment protection by flameproof enclosures “d”, 7th Edition. Directive 2006/42/EC – Directive on machinery.

EN 809:1998 +A:2009 – Pumps and pump units for liquids – Common safety requirements.

EN ISO 12100:2010 – Safety of Machinery – Basic concepts, general principles for design.

Directive 2004/108/EC – Electromagnetic compatibility.

Directive 2011/65/EU – Restrictions of the use of certain hazardous substances in electrical and electronic equipment.

*The minimum and maximum values of the flameproof joints differ from what is specified in Table 2 of EN60079-1:2014. Manufacturer is to be contacted for information on the dimensions of the flameproof joints.

*The fasteners used to secure the steel can to the aluminum housing have a yield strength of 1100MPa.

FILL-RITE[®]

The Most Trusted Name in Pumps and Meters

Tuthill Corporation
8825 Aviation Drive | Fort Wayne, Indiana 46809 USA
P (800) 634-2695 | (260) 747-7524
F (800) 866-4861

www.fillrite.com

www.tuthill.com

Tuthill UK LTD.
Birkdale Close Manners Industrial Estate
Ilkeston, Derbyshire
DE7 8YA
UK

P +44 0 115 932 5226

F +44 0 115 932 4816

DC001582-000 Rev.5



FILL-RITE®

Manual de operación y seguridad del propietario
Bomba portátil de transferencia de combustible
con alimentación por CC

PORTABLE
SERIES

RD



 **Tuthill**

PROUDLY
 Made in
USA

Índice

Información de seguridad	3
Instalación	3
Configuración de montaje de tapón.....	4
Instalación de base de montaje y envoltura de boquilla.....	4
Configuración del tubo flexible de succión	5
Seguridad del abastecimiento de combustible	5
Configuración del reborde	6
Conexión de la alimentación de CC	6
Interruptor de alimentación.....	7
Seguridad operacional.....	7
Solución de problemas.....	8
Limpieza de la rejilla de entrada.....	9
Accesorios	9
Información técnica	10
Información de la etiqueta del motor	10
Juegos y piezas.....	11
Certificaciones de pruebas de seguridad	11

¡Gracias!

Gracias por adquirir una bomba portátil de la serie RD. Su producto Fill-Rite® cuenta con más de 80 años de experiencia en la fabricación de bombas, lo que le brindará el valor de un rendimiento superior, un diseño fácil de usar, una excelente durabilidad y un diseño de ingeniería simple y resistente. La experiencia que le proporciona tranquilidad.

Tuthill. Bombea su corazón en él!

Acerca de este manual

Desde el concepto y el diseño inicial hasta el producto final, su bomba Fill-Rite® se fabrica para darle años de servicio sin ningún problema. Para garantizar que proporcione dicho servicio y evitar lesiones o la muerte, es fundamental que lea por completo este manual antes de intentar instalar y operar su nueva bomba. Familiarícese con los términos y diagramas y preste mucha atención a las áreas destacadas con las siguientes etiquetas:



¡PELIGRO! Destaca un área en que se **producirán** lesiones corporales e incluso la muerte, si no se siguen las instrucciones de manera adecuada. También se pueden producir daños mecánicos.



¡ADVERTENCIA! Destaca un área en que se **pueden** producir lesiones corporales e incluso la muerte, si no se siguen las instrucciones de manera adecuada. También se pueden producir daños mecánicos.



¡PRECAUCIÓN! No prestar atención al aviso de “Precaución” puede provocar daños al equipo.



¡IMPORTANTE! Estos cuadros contienen información que ilustra un punto que podría ahorrar tiempo o ser clave para la operación adecuada, o que clarifica un paso.

En Tuthill, su satisfacción con nuestros productos es primordial. Si tiene cualquier duda o necesita asistencia con nuestros productos, comuníquese con nosotros al 1-800-634-2695 (de lunes a viernes de 8:00 a. m. a 5:00 p. m., hora del este).

Información de seguridad



¡PELIGRO! El cableado eléctrico se debe realizar con sumo cuidado y conforme a los códigos de electricidad locales, estatales y nacionales NEC/ANSI/NFPA 70, NFPA 30 y NFPA 30A, según corresponda para el uso que se le dará a la bomba. Se deben utilizar conductos rígidos roscados, conectores sellados y sellos de conductor donde corresponda. La bomba debe estar debidamente conectada a tierra. Si la instalación se realiza de manera distinta a lo indicado en el manual, debe hacerla un electricista con licencia. ¡La instalación o el uso incorrectos de este producto pueden provocar lesiones físicas graves o la muerte!



¡PELIGRO! Para garantizar una operación segura y adecuada de su equipo, es fundamental leer y cumplir todas las siguientes precauciones y advertencias de seguridad. Si no se siguen las siguientes instrucciones, si se realiza una instalación incorrecta o si se usa el producto de manera inadecuada, se pueden producir lesiones físicas graves o la muerte.

- **¡NUNCA** fume cerca de la bomba ni la utilice cerca de una llama mientras bombea un líquido inflamable! Se puede producir un incendio.
- Este producto no se debe utilizar para transferir líquidos a ningún tipo de aeronave, debido a que se pueden producir descargas estáticas o chispas. Las descargas estáticas o chispas pueden provocar explosiones.



¡PELIGRO! Para minimizar la acumulación de electricidad estática y una posible explosión, utilice solo un tubo flexible conductor de cableado estático cuando bombee líquidos inflamables y mantenga la boquilla llena en contacto con el recipiente que se esté llenando durante el proceso de llenado. Las descargas estáticas o chispas pueden provocar explosiones.



¡ADVERTENCIA! Las juntas de tuberías roscadas y las conexiones se deben sellar con un sellador adecuado o cinta selladora, para minimizar las posibilidades de filtraciones. Las filtraciones de combustible pueden provocar posibles incendios y explosiones.



¡PRECAUCIÓN! El motor de la bomba está equipado con protección de sobrecarga térmica; si se sobrecalienta, el motor se apagará para evitar daños en los devanados. Si esto sucede, debe cortar la energía hacia la bomba para restablecer esta función de seguridad y debe encender nuevamente la bomba cuando se haya enfriado para continuar con el uso. La bomba no se encenderá hasta que se haya enfriado adecuadamente.



¡PRECAUCIÓN! Este producto no es apto para su uso con líquidos destinados al consumo humano o líquidos que contengan agua. Los materiales de construcción no son de uso alimentario. La bomba es resistente al agua, sin embargo, el uso prolongado con agua reducirá la vida útil de las aspas y puede provocar la hinchazón del rotor. Lave a presión y drene la bomba después de bombear agua, para asegurarse de que no quede líquido en el cuerpo de la bomba y así evitar un desgaste prematuro. Lave a presión con un producto de petróleo (gasolina, diesel, aceite ligero, etc.) para eliminar el agua restante.



¡IMPORTANTE! Se debe utilizar un filtro Fill-Rite en la salida de bomba para garantizar que no se transfiera ningún material extraño al tanque de combustible. Los materiales extraños pueden dañar el equipo que se está abasteciendo de combustible.

Instalación

La bomba Fill-Rite de la serie RD está diseñada para ser portátil y brindarle comodidad y seguridad. Cuenta con un exclusivo diseño de aspa articulada, que elimina la necesidad de una válvula de derivación. Gracias a su naturaleza única, las bombas de la serie RD se pueden instalar y usar en diversas configuraciones. Lea cada configuración antes de comenzar la instalación.



¡ADVERTENCIA! Las bombas de la serie RD están diseñadas principalmente para aplicaciones portátiles, mediante el uso de tanques sobre patines, tambores, barriles y otros recipientes de combustible portátiles, para suministrar combustible. Es primordial anclar el tambor o tanque de suministro al cual esté conectada la bomba, para garantizar que no haya movimientos en el transporte o durante el abastecimiento de combustible. Si no fija el tambor o tanque se puede producir un movimiento imprevisto y sin control, lo que provocará daños, lesiones y un posible incendio o explosión.



¡IMPORTANTE! No utilice válvulas de retención o válvulas de pie; las válvulas reducen la velocidad de flujo y el rendimiento de la bomba.

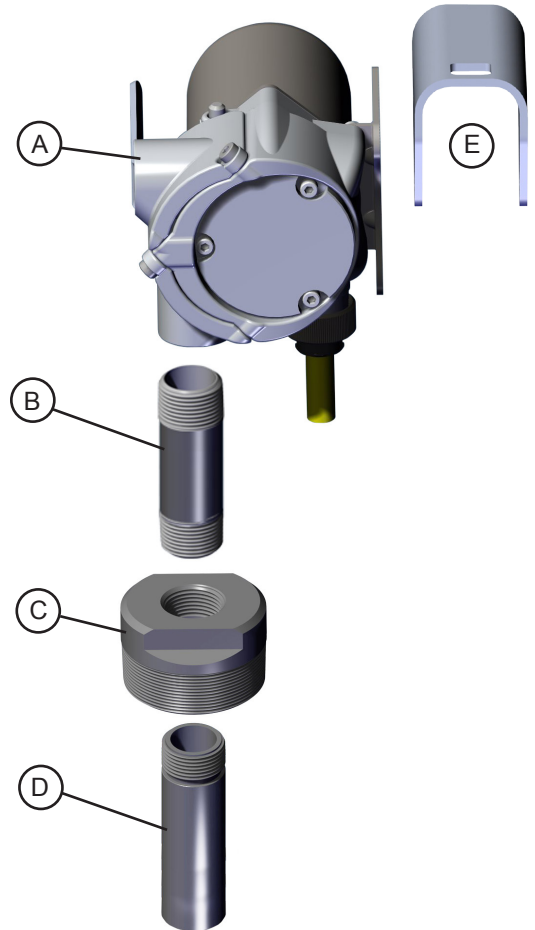
Configuración de montaje de tapón



¡ADVERTENCIA! Las juntas de tuberías roscadas y las conexiones se deben sellar con un sellador adecuado o cinta selladora, para minimizar las posibilidades de filtraciones. Las filtraciones generan posibilidades de incendios y explosiones.

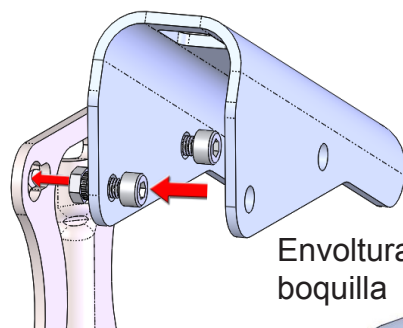
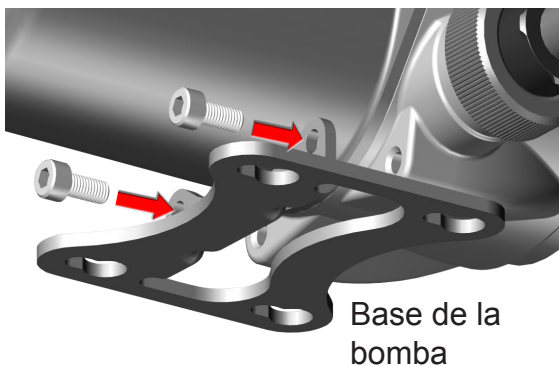
Las bombas de la serie RD se montan en el tapón mediante el tubo de succión del adaptador de tapón. El tubo de succión se enrosca en el adaptador de tapón y se debe ajustar a una longitud que lo coloque dentro de 7,5 cm desde la parte inferior del tanque. El tanque o tambor debe tener ventilación. Antes de continuar, asegúrese de que la alimentación esté desconectada.

1. Cambie la configuración de salida (A) para descarga horizontal (opcional). Consulte la página 6 para obtener las instrucciones.
2. Atornille la boquilla (B) en la entrada de la bomba y apriete hasta que quede impermeable.
3. Atornille el otro extremo de la boquilla en el adaptador de tapón (C) y apriete hasta que quede impermeable.
4. Atornille el extremo roscado (D) del tubo de succión ajustable en la parte inferior del adaptador de tapón.
5. Extienda el tubo de succión en la abertura del barril o tanque, hasta dentro de 7,5 cm del recipiente. **No** apoye el tubo de succión en la parte inferior.
6. Enrosque el adaptador de tapón en el tapón y apriete.
7. Instale un tubo flexible de descarga con una boquilla o válvula en el extremo que se pueda cerrar firmemente, para evitar el sifonaje cuando la bomba no esté en uso.
8. Instale una envoltura de boquilla (E) en la base de la bomba (opcional).



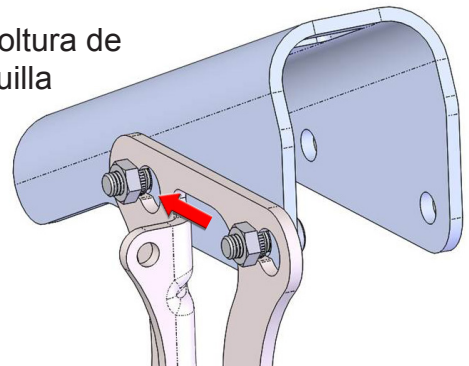
Instalación de base de montaje y envoltura de boquilla

La base de montaje se emperna a la parte inferior de la bomba, con los dos tornillos de cabeza hueca proporcionados. Monte la base con el lado más largo orientado hacia la parte delantera de la bomba, como se ilustra. Apriete a 5,6 Nm con una llave hexagonal de 4 mm.



En aplicaciones de montaje de tapón, se puede instalar una envoltura de boquilla en la base de montaje de la bomba, para el almacenamiento de la boquilla.

- Inserte los dos tornillos de cabeza hexagonal de 4 mm a través de la envoltura de boquilla.
- Enrosque las tuercas de cierre parcialmente sobre los tornillos de cabeza hexagonal de 4 mm.
- Inserte el conjunto de tornillo y tuerca a través de las aberturas ranuradas en la base de la bomba.
- Deslice el conjunto hacia el extremo angosto de las ranuras.
- Use una llave de cabeza hexagonal de 4 mm para apretar la envoltura de boquilla en su posición.



Configuración del tubo flexible de succión



¡ADVERTENCIA! Las juntas de tuberías roscadas y las conexiones se deben sellar con un sellador adecuado o cinta selladora, para minimizar las posibilidades de filtraciones. Las filtraciones generan posibilidades de incendios y explosiones.

1. Seleccione tubos flexibles de entrada y salida con compatibilidad química que contengan un alambre de descarga estática, que sean para uso con líquidos inflamables y que estén clasificados para al menos 3,4 bar.
2. Vuelva a configurar los rebordes de entrada y salida si es necesario (opcional). Las instrucciones se indican a continuación.
3. Use una válvula o boquilla de inducción en el extremo del tubo flexible de descarga que se pueda cerrar firmemente para evitar el sifonaje accidental cuando la bomba no está en uso.
4. **NOTA:** Si se bombea desde un recipiente de metal, el extremo metálico del tubo flexible de succión **DEBE** estar en contacto con el recipiente metálico, para brindar continuidad eléctrica.



NOTA: Las longitudes de los tubos flexibles son más largas que las que se muestran.

Seguridad del abastecimiento de combustible

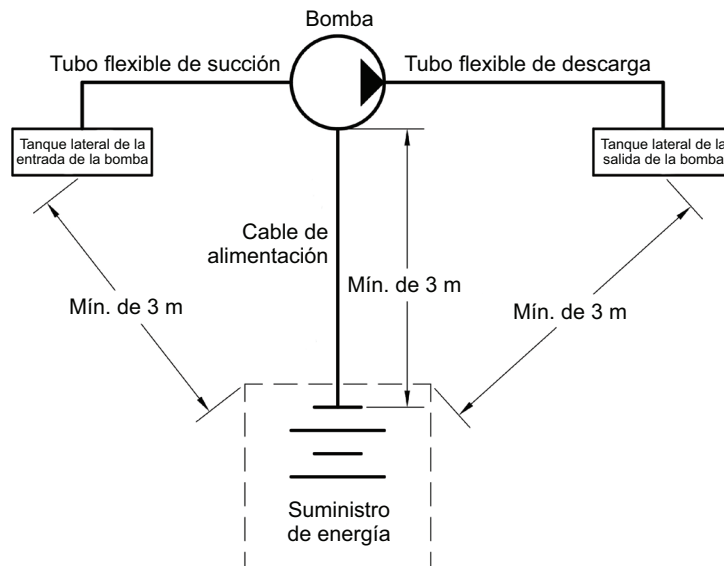


¡PELIGRO! Los gases acumulados durante el abastecimiento de combustible generan una atmósfera explosiva. Es **FUNDAMENTAL** que todas las posibles fuentes de ignición se apaguen o trasladen a una distancia segura. Las fuentes de ignición incluyen (entre otros) llamas, cigarrillos, descargas estáticas o conexiones eléctricas que pueden generar chispas. Si los vapores explosivos se encienden, se producirán explosiones y lesiones graves o la muerte.

Los gases acumulados durante el abastecimiento de combustible generan una atmósfera explosiva alrededor del tanque que se está llenando. Para evitar posibles explosiones de los vapores acumulados, es fundamental mantener las posibles fuentes de chispas e ignición a distancias seguras de los vapores de combustible.

El diagrama adjunto muestra las distancias de seguridad mínimas para un abastecimiento de combustible seguro. 3 m es la distancia de seguridad mínima entre:

- La fuente de alimentación y el suministro de combustible.
- La fuente de alimentación y el tanque que se está llenando.
- La fuente de alimentación y la bomba.



<p>ADVERTENCIA</p> <ul style="list-style-type: none"> • PELIGRO DE EXPLOSIÓN POR CHISPAS DE ELECTRICIDAD ESTÁTICA • NUNCA llene los recipientes portátiles que están dentro o sobre los vehículos 		<ul style="list-style-type: none"> • SIEMPRE MANTENGA LOS RECIPIENTES EN EL SUELO • Mantenga el contacto con el recipiente durante el llenado 		<p>Se puede producir una chispa de electricidad estática mientras se llenan los recipientes portátiles que están sobre revestimientos de plataformas de camiones o en el alfombrado o cubrepisos de cualquier vehículo. Esta chispa causará una explosión por vapor de gasolina y causará LESIONES GRAVES o LA MUERTE.</p>
--	--	---	--	---

Configuración del reborde



¡ADVERTENCIA! Asegúrese de que los sellos y la rejilla se coloquen correctamente y que se limpien siempre que se vuelvan a configurar los rebordes. Las rejillas y los sellos sucios o mal instalados pueden provocar filtraciones y posibles incendios o explosiones

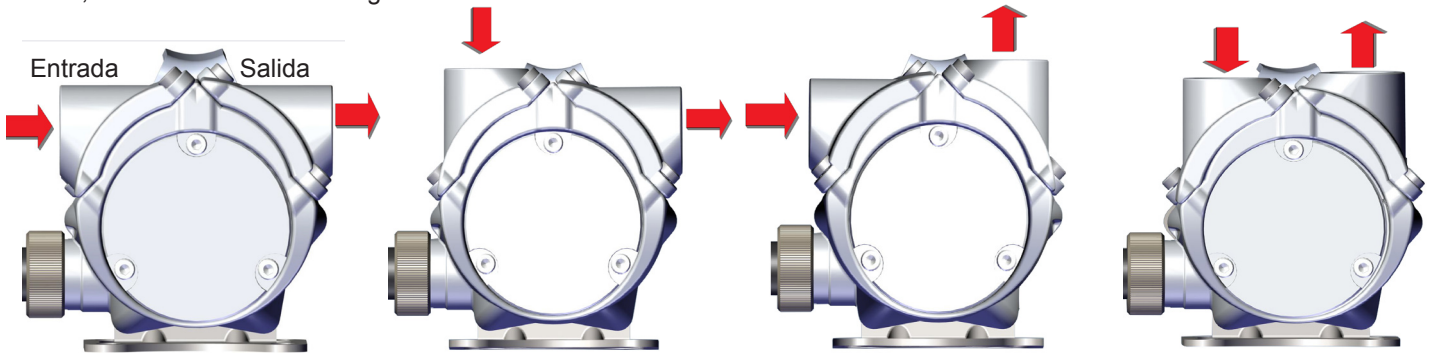


¡PRECAUCIÓN! Siempre asegúrese de que el interruptor de alimentación esté accesible, después de volver a configurar los puertos de entrada y salida.

Los rebordes de entrada y salida de su bomba serie RD se pueden configurar de forma vertical, horizontal o en una combinación de ambas.

Para cambiar la posición de un reborde:

1. Quite los dos pernos de cabeza hueca que sostienen el reborde en su posición.
2. Quite el reborde; examine las superficies de sellado para asegurarse de que estén limpias y sellen correctamente.
3. Coloque el sello, la rejilla y ubique el reborde en la posición deseada.
4. Use los dos pernos de cabeza hueca para volver a instalar firmemente el reborde en la carcasa de la bomba. Apriete a 5,6 Nm con una llave hexagonal de 4 mm.



Conexión de la alimentación de CC



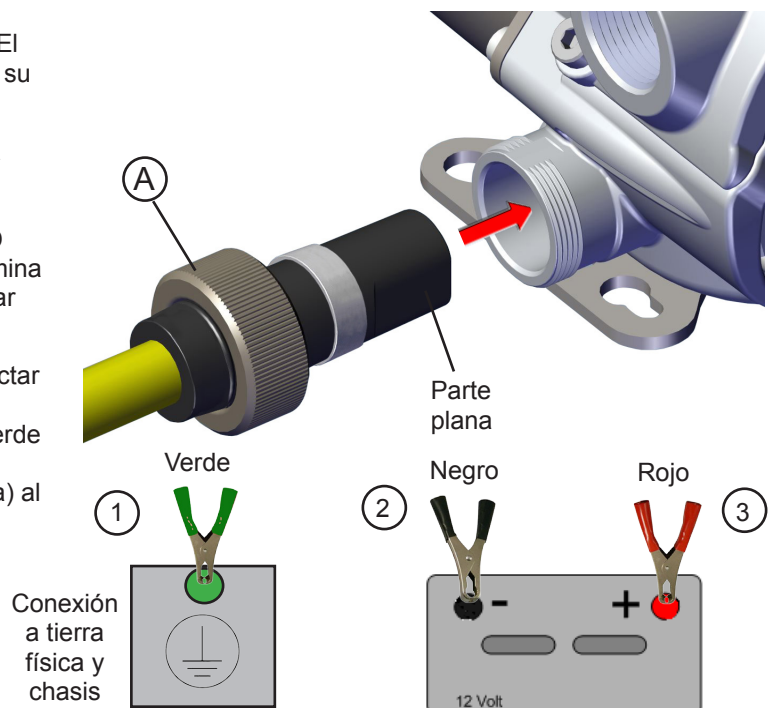
¡PELIGRO! Asegúrese de que el interruptor de alimentación esté APAGADO antes de conectar las abrazaderas de la batería y los cables de alimentación a la fuente de alimentación o antes de instalar el cable en la bomba, para evitar que se produzca el arranque inesperado del motor. El arranque inesperado del motor puede provocar una descarga accidental de combustible y generar un peligro de explosión e incendio.

¡Inspeccione el cable de alimentación antes de cada uso! El cable de alimentación se debe reemplazar si los daños en su cubierta exterior exponen el cableado.

Para instalar el cable de alimentación alinee la parte plana en el conector con la parte delantera de la bomba. Inserte el conector en la carcasa de la bomba como se muestra. Bloquee en su posición con el collarín roscado (A). **¡SOLO APRIETE MANUALMENTE!** El cable de alimentación termina en abrazaderas de color verde, negro y rojo. Se deben usar las tres abrazaderas.

1. La abrazadera verde (conexión a tierra) se debe conectar primero. Conecte la abrazadera verde al chasis del vehículo o a tierra física. **NO** conecte la abrazadera verde al poste negativo de la fuente de alimentación.
2. A continuación, conecte la abrazadera negra (negativa) al poste negativo de la fuente de alimentación de CC.
3. Conecte la abrazadera roja (positiva) al último poste positivo.

Las abrazaderas se deben desconectar en orden inverso.



Interruptor de alimentación



¡PELIGRO! Asegúrese de que el interruptor de alimentación esté APAGADO antes de conectar las abrazaderas de la batería y los cables de alimentación a la fuente de alimentación o antes de instalar el cable en la bomba, para evitar que se produzca el arranque inesperado del motor. El arranque inesperado del motor puede provocar una descarga accidental de combustible y generar un peligro de explosión o incendio.



¡ADVERTENCIA! El cuerpo de las bombas de la serie RD se puede calentar con un uso prolongado. Siempre utilice la manilla para levantar y transportar la bomba cuando la mueva. Tenga cuidado cuando agarre la manilla, ya que la piel expuesta se puede quemar si tiene contacto con la bomba caliente.



¡IMPORTANTE! Las bombas de la serie RD usan protección de sobrecarga térmica para evitar el sobrecalentamiento. Si la bomba se apaga debido a una sobrecarga térmica, APAGUE el interruptor de alimentación. Después de que la bomba se enfríe, el interruptor se puede ajustar nuevamente en ENCENDIDO para restablecer la protección térmica.

Las bombas de la serie RD cuentan con un interruptor de alimentación deslizante de ENCENDIDO/APAGADO. El interruptor está ubicado en la parte superior de la bomba, en la parte trasera de la carcasa de la misma. Para hacer funcionar la bomba, mueva el interruptor a la posición deseada. Muévelo hasta "ON" (Encendido) para hacer funcionar la bomba y hasta "OFF" (Apagado) para apagarla.

NOTA: El lado donde se ajuste el botón del interruptor es la función que esté último está realizando.

Apagado de la bomba



Encendido de la bomba



Seguridad operacional



¡PELIGRO! NO use la bomba en áreas cerradas cuando bombee líquidos explosivos o peligrosos. El área de bombeo debe tener buena ventilación. ¡Los vapores concentrados en un área cerrada son nocivos y altamente explosivos!



¡ADVERTENCIA! NUNCA desconecte el cable de alimentación desde la bomba mientras esta se encuentre encendida o conectada a una fuente de alimentación. **SIEMPRE** apague la bomba y desconecte todas las abrazaderas desde la fuente de alimentación **ANTES** de desconectar el cable de alimentación desde la bomba. Se pueden producir cortocircuitos, chispas o un arranque inesperado.



¡ADVERTENCIA! Tenga cuidado cuando haga funcionar o traslade la bomba. Los tubos flexibles y el cable de alimentación eléctrica pueden ser un peligro de tropiezo, se debe tener cuidado siempre que la bomba se mueva con los tubos flexibles y el cable de alimentación conectados, para evitar tropiezos o enredos.



¡ADVERTENCIA! El conjunto de bomba se puede calentar con un uso prolongado. Tenga cuidado cuando manipule la bomba después de usarla; siempre use la manilla para moverla o sostenerla. La bomba tiene un ciclo de servicio de 30 minutos de encendido y 30 minutos de apagado.



¡PRECAUCIÓN! NO haga funcionar la bomba si cualquier pieza de la fabricación del motor a prueba de explosiones está comprometida o ausente. El desmontaje del motor pondrá en peligro el diseño a prueba de explosiones y anulará toda garantía.



¡PRECAUCIÓN! NO haga funcionar la bomba en seco durante más de 30 segundos. **NO** haga funcionar la bomba en derivación durante más de 5 minutos. Se pueden producir daños en la bomba.

Solución de problemas

Esta guía de solución de problemas proporciona asistencia de diagnóstico básica. Si tiene dudas adicionales, comuníquese con nosotros al 1-800-634-2695 (de lunes a viernes, de 8:00 a. m a 5:00 p. m., hora el este) o visite nuestro sitio web "www.fillrite.com".



¡PELIGRO! NO abra ni intente reparar el motor de su bomba Tuthill. Devuélvala al lugar de compra si requiere servicio técnico. Si abre el motor pondrá en peligro la integridad de la fabricación a prueba de explosiones y anulará toda garantía, aprobaciones y certificaciones existentes (es decir: ATEX, lista UL, CE, etc.).



¡PELIGRO! Desconecte toda la alimentación antes de realizar cualquier labor de mantenimiento o servicio. Si no se desconecta la alimentación se puede producir una descarga eléctrica o un arranque inesperado del motor y provocar lesiones o la muerte.

Síntoma	Causa	Solución
La bomba no ceba.	Problema de la tubería de succión.	Verifique si hay filtraciones o restricciones en la tubería de succión; es posible que tenga un diámetro muy pequeño, que sea muy larga, que no sea hermética o que sea muy baja verticalmente.
	Bloqueo de las aspas.	Verifique si hay muescas, daños, obstrucciones o desgaste excesivo en las aspas. Reemplácelas si es necesario.
	Desgaste excesivo del rotor, el aspa, la cubierta del rotor o la carcasa.	Inspeccione si hay desgaste excesivo en el rotor, el aspa, la cubierta del rotor y la carcasa y reemplácelos si es necesario.
	Salida o entrada bloqueada.	Verifique si hay obstrucciones en la bomba, el tubo flexible, la boquilla y el filtro.
	Bloqueo de vapor.	Reduzca la distancia vertical u horizontal desde la bomba hasta el líquido.
	Las conexiones de alimentación están invertidas.	Corrija las conexiones de alimentación.
Capacidad baja.	Suciedad excesiva en la rejilla.	Retire y limpie la rejilla.
	Problema de la tubería de succión.	Verifique si hay filtraciones o restricciones en la tubería de succión; es posible que tenga un diámetro muy pequeño, que sea muy larga, que no sea hermética o que sea muy baja verticalmente.
	Desgaste excesivo del rotor, el aspa, la cubierta del rotor o la carcasa.	Inspeccione si hay desgaste excesivo en el rotor, el aspa, la cubierta del rotor y la carcasa y reemplácelos si es necesario.
	Daño en el tubo flexible o la boquilla.	Reemplace el tubo flexible o la boquilla.
	Nivel de líquido bajo.	Vuelva a llenar el tanque.
	Voltaje incorrecto.	Verifique el voltaje de línea de entrada mientras está funcionando la bomba.
	Bloqueo de las aspas.	Verifique si hay muescas, daños, obstrucciones o desgaste excesivo en las aspas. Reemplácelas si es necesario.
	Problema de cableado.	Verifique si hay conexiones sueltas.
	Problema del motor.	Devuelva al lugar de compra.
Pérdidas del motor y quemaduras de fusibles.	Cortocircuito en el cableado.	Inspeccione si el cable eléctrico está cortocircuitado y reemplácelo si es necesario.
	Desgaste excesivo del rotor o del aspa.	Verifique si hay muescas, daños, obstrucciones o desgaste excesivo en las aspas. Reemplácelas si es necesario.
	Cierre del rotor de la bomba.	Limpie e inspeccione las aspas y el rotor.
	Residuos en la cavidad de la bomba.	Elimine los residuos de la cavidad de la bomba.
	Hinchazón de componentes debido al bombeo de agua.	Deje que la bomba se seque completamente.

El texto en negritas indica reparaciones que no puede realizar el propietario, se debe regresar la bomba al punto de compra para realizar estas reparaciones.

Solución de problemas (continuación)

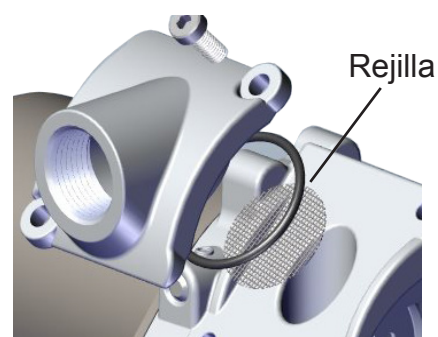
Síntoma	Causa	Solución
Filtración de líquido.	Empaquetadura de junta tórica defectuosa.	Verifique todas las juntas tóricas.
	Sello del eje defectuoso.	Devuelva al lugar de compra.
	Líquido incompatible.	Consulte la lista de piezas humectadas (página 10).
	Sujetadores sueltos.	Apriete los sujetadores.
	Sellos de tuberías incorrectos.	Vuelva a sellar las conexiones de las tuberías.
La bomba emite un zumbido pero no funciona.	Falla del motor.	Devuelva al lugar de compra.
Sobrecalentamiento del motor.	Bombeo de líquidos de alta viscosidad.	Estos líquidos solo se pueden bombear por períodos cortos (menos de 30 minutos por ciclo de servicio).
	Rejilla obstruida.	Retire y limpie la rejilla.
	Tubería de succión restringida.	Retire y limpie la tubería.
	Falla del motor.	Devuelva al lugar de compra.
	Cierre del rotor de la bomba.	Limpie e inspeccione las aspas y el rotor.
	No hay energía.	Verifique la energía de entrada.
	Falla del interruptor.	Devuelva al lugar de compra.
	Cableado suelto o incorrecto.	Verifique el cableado o las conexiones.
El motor no está operativo.	No hay energía.	Verifique la energía de entrada.
	Falla del interruptor.	Devuelva al lugar de compra.
	Falla del motor.	Devuelva al lugar de compra.
	Motor sobrecalentado.	Apáguelo y deje que se enfríe.
	Cableado suelto o incorrecto.	Verifique el cableado o las conexiones.
	Fusible quemado.	Reemplace el fusible de 30 A.

El texto en negritas indica reparaciones que no puede realizar el propietario, se debe regresar la bomba al punto de compra para realizar estas reparaciones.

Limpieza de la rejilla de entrada

La inspección y limpieza regular de la rejilla de entrada de su bomba serie RD, ayudan a mantener el rendimiento y el flujo. Para acceder a la rejilla, quite el reborde de entrada como se describe en la página 5. Limpie, enjuague y seque completamente la rejilla antes de instalarla otra vez.

Inspeccione si hay residuos y daños en la rejilla, los sellos y el área del reborde. Si la rejilla o las juntas tóricas están dañadas, reemplácelas por el juego KIT812SL.



Accesorios

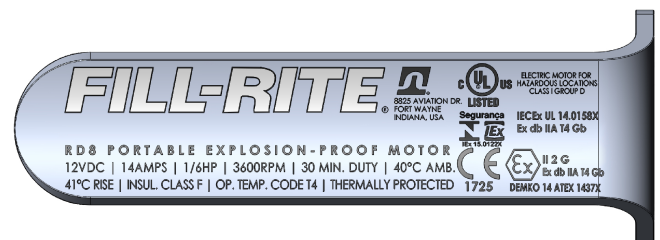
Accesorio	Descripción
1200KTF7018	Juego de filtro particulado de 10 micrones (solo instalaciones de montaje de tapón)
F1810PM0	Filtro enroscable de 10 micrones de repuesto (particulado, solo instalaciones de montaje de tapón)
1210KTF7019	Juego de filtro Hydrosorb (solo instalaciones de montaje de tapón)
F1810HM0	Filtro enroscable Hydrosorb de repuesto. (Solo instalaciones de montaje de tapón)
FRHMN075S	Boquilla manual de 3/4 pulg.

Información técnica

Motor	RD8	RD12
Alimentación: CC 12, 24, 12/24	12 V CC	12 V CC
Clasificación de HP (potencia)	1/6 HP	1/6 HP
Longitud del cable de alimentación	3 metros	3 metros
Calibre del cable de alimentación	14 AWG	14 AWG
Conectores para batería de CC del cable de alimentación	Sí	Sí
Amperios (FLA)	14 A	14 A
RPM	3600	3600
Ciclo de servicio	30 minutos ENCENDIDO y 30 minutos APAGADO	30 minutos ENCENDIDO y 30 minutos APAGADO
Protección térmica	Sí	Sí
Fusible de protección para circuitos	Sí (fusible de 30 amperios)	Sí (fusible de 30 amperios)
Certificación	UL/cUL Motor, CE/ATEX/IECEX Bombas	UL/cUL Motor, CE/ATEX/IECEX Bombas
Bomba		
Tipo: giratoria, diafragma, engranaje, aspa	Aspa articulada giratoria	Aspa articulada giratoria
Velocidad de flujo en la configuración suministrada	Hasta 30 LPM	Hasta 45LPM
Velocidad de flujo de flujo abierto: sin tubo flexible o boquilla	Hasta 38 LPM	Hasta 50 LPM
Presión de descarga máxima.(bar): máx.*	1,1 bar	1,1 bar
Vacío en seco (mm Hg)	127 mm Hg	127 mm Hg
Cabezal: máx. (m)	11 metros	11 metros
Válvula antisifón	Ninguna	Ninguna
Entrada: tamaño de rosca	3/4 pulg. NPT / BSPP	3/4 pulg. NPT / BSPP
Salida: tamaño de rosca	3/4 pulg. NPT / BSPP	3/4 pulg. NPT / BSPP
Montaje	2 pulg. tapón (NPT) / BSPT	2 pulg. tapón (NPT) / BSPT
Materiales de construcción: carcasa de la bomba	Aluminio	Aluminio
Materiales de construcción: material humectado	BUNA-N + HNBR	BUNA-N + HNBR
Materiales de construcción del rotor	Nailon	Nailon
Materiales de construcción del aspa del rotor	Acetal	Acetal
Líquidos compatibles	Diesel, gasolina, biodiesel hasta B20, E15, keroseno, alcoholes minerales, metanol (hasta 15 %)	Diesel, gasolina, biodiesel hasta B20, E15, keroseno, alcoholes minerales, metanol (hasta 15 %)
Tamaño de malla del filtro	20 x 20	20 x 20
Garantía (año)	2 años	2 años

Información de la etiqueta del motor

La manilla de transporte en su bomba serie RD contiene información técnica, de rendimiento y certificación importante. Asegúrese de que esta manilla permanezca adherida a la bomba en todo momento.



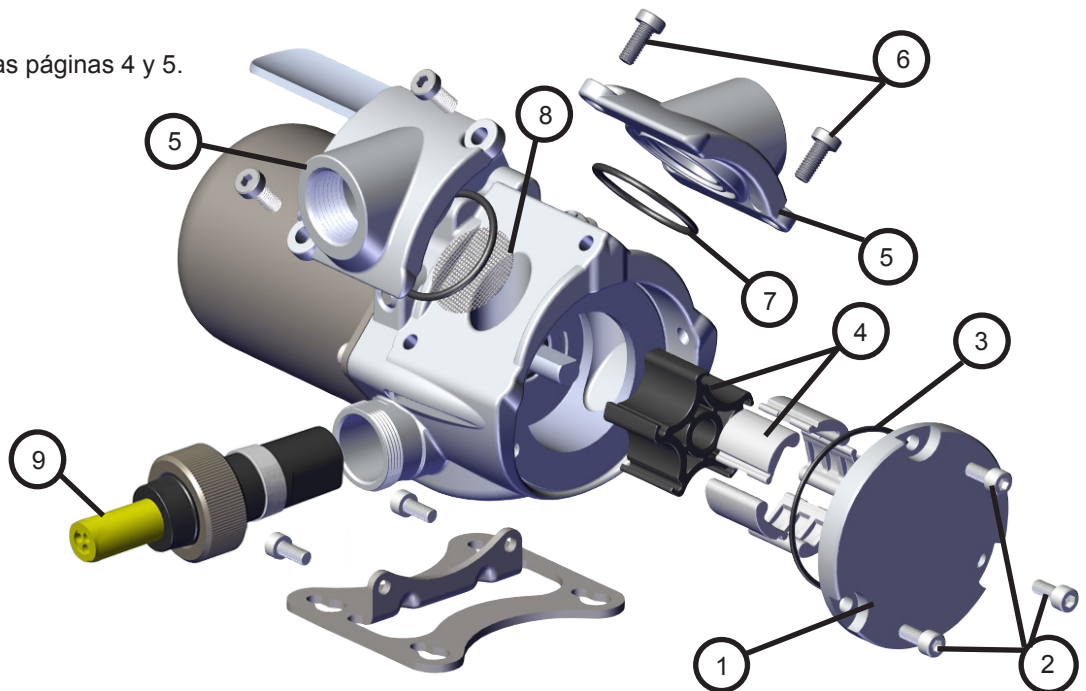
Juegos y piezas

Número del juego	Descripción	Piezas
KIT812PC	Juego de cable de alimentación	Conjunto de cable de alimentación de conexión rápida ⑨ e instrucciones*
KIT812PCE	Juego de cable de alimentación (Europa)	Conjunto de cable de alimentación de conexión rápida ⑨ e instrucciones*
KIT812RG KIT1212RG**	Juego de reparación	Rotor y aspas ④, cubierta del rotor ①, rejilla de entrada ⑧, juntas tóricas del reborde ⑦, junta tórica de la cubierta del rotor ③, sujetadores del reborde ⑥, sujetadores de la cubierta del rotor ② e instrucciones*
KIT812FL	Juego de reborde simple (NPT)	Reborde ⑤, rejilla de entrada ⑧, junta tórica del reborde ⑦, sujetadores del reborde ⑥ e instrucciones*
KIT812FLB	Juego de reborde simple (BSPP)	Reborde ⑤, rejilla de entrada ⑧, junta tórica del reborde ⑦, sujetadores del reborde ⑥ e instrucciones*
KIT812SL	Juego de sellos	Rejilla de entrada ⑧, juntas tóricas del reborde ⑦, junta tórica de la cubierta del rotor ③, sujetadores del reborde ⑥, sujetadores de la cubierta del rotor ② e instrucciones*
KIT812NH	Juego de tubo flexible	Tubo flexible de succión de 3/4" x 1,8 m ^o , tubo flexible de descarga de 3/4" x 2,4 m ^o , cinta PTFE* e instrucciones*
KIT1212NH**	Juego de tubo flexible	Tubo flexible de succión de 3/4" x 1,8 m ^o , tubo flexible de descarga de 3/4" x 2,4 m ^o , cinta PTFE* e instrucciones*
KIT812NP	Juego de montaje de tapón	Tubo de succión ^o , adaptador de tapón ^o , boquilla ^o , envoltura de boquilla ^o , sujetadores de la envoltura de boquilla ^o , cinta PTFE*, instrucciones*

*No se muestra el elemento.

**RD12

^oEl elemento se muestra en las páginas 4 y 5.



Certificaciones de pruebas de seguridad

Esta línea de bombas Fill-Rite se sometió a pruebas de seguridad, para cumplir las siguientes normas reglamentarias. Revise la información en la manilla de su bomba, para determinar las certificaciones correspondientes a su modelo en particular.

Información sobre las pruebas de certificación se encuentra en la contraportada de este manual.

Información sobre las pruebas de seguridad

Se usaron las siguientes normas para mostrar el cumplimiento en Norteamérica:

UL 674 – Motores eléctricos y generadores para uso en áreas peligrosas (clasificadas) de la División 1, 5ta edición.

Se usaron las siguientes normas para mostrar el cumplimiento en la Unión Europea

Directiva 2014/34/UE – Equipos y sistemas de protección destinados al uso en atmósferas potencialmente explosivas. EN 60079-0:2012 Atmósferas explosivas – Parte 0: Equipos – Requisitos generales.

EN 60079-1:2014 Atmósferas explosivas – Parte 1: Protección de equipos mediante cajas ignífugas “d”.*

IEC 60079-0 Atmósferas explosivas – Parte 0: Equipos – Requisitos generales, 6ta edición.

IEC 60079-1 Atmósferas explosivas – Parte 1: Protección de equipos mediante cajas ignífugas “d”, 7ma edición. Directiva 2006/42/CE – Directiva relativa a las máquinas.

EN 809:1998 +A:2009 – Bombas y grupos motobombas para líquidos – Requisitos comunes de seguridad.

EN ISO 12100:2010 – Seguridad de las maquinas – Conceptos generales y principios generales para el diseño. Directiva 2004/108/CE – Compatibilidad electromagnética.

Directiva 2011/65/UE – Restricciones a la utilización de ciertas sustancias peligrosas en aparatos eléctricos y electrónicos.

***Los valores mínimos y máximos para las juntas ignífugas difieren de lo que se especifica en la Tabla 2 de EN60079-1:2014. Debe comunicarse con el fabricante para obtener información acerca de las dimensiones de las juntas ignífugas.**

***Los sujetadores que se utilizan para fijar la lata de acero para la carcasa de aluminio tiene un límite de fluencia de 1100MPa.**

FILL-RITE®
The Most Trusted Name in Pumps and Meters

Tuthill Corporation
8825 Aviation Drive | Fort Wayne, Indiana 46809
T (800) 634-2695 | (260) 747-7524
F (800) 866-4861
www.fillrite.com
www.tuthill.com

Tuthill UK LTD.
Birkdale Close Manners Industrial Estate
Ilkeston, Derbyshire
DE7 8YA
Reino Unido
T +44 0 115 932 5226
F +44 0 115 932 4816

DC001582-000 Mod.5



FILL-RITE®

Manuel de fonctionnement et de sécurité du propriétaire
Pompe de transfert de carburant alimentée
en courant continu portable

PORTABLE
SERIES
RD



 **Tuthill**

PROUDLY
 **Made in**
USA

Table des matières

Sécurité	3
Installation	3
Configuration de montage sur bonde	4
Installation du pied de montage et de la gaine de pistolet	4
Configuration du tuyau d'aspiration	5
Sécurité lors du plein	5
Configuration des brides.....	6
Raccordement de l'alimentation en courant continu.....	6
Interrupteur d'alimentation.....	7
Sécurité opérationnelle.....	7
Dépannage.....	8
Nettoyage du filtre d'arrivée.....	9
Accessoire	9
Information technique.....	10
Informations de l'étiquette du moteur	10
Kits et pièces	11
Certifications d'essais de sécurité	11

Merci!

Nous vous remercions d'avoir acheté la pompe portable de Série RD. Votre produit Fill-Rite® est livré soutenu par plus de 80 années d'expérience dans le domaine de la fabrication de pompe, vous garantissant une valeur accompagnée d'une performance supérieure, d'un design à utilisation conviviale, d'une durabilité exceptionnelle et d'une ingénierie solide et simple. Une expérience qui vous donne une tranquillité d'esprit.

Tuthill. Votre cœur pompe en elle !

À propos du présent manuel

De la première idée à sa conception et tout au long de sa production finale, votre pompe Fill-Rite® est construite de manière à vous offrir des années d'utilisation sans soucis. Pour s'assurer qu'elle offre ce service et éviter toute blessure voire la mort, il est essentiel de lire le présent manuel dans son intégralité avant de tenter d'installer ou de faire fonctionner cette nouvelle pompe. Connaître les termes et schémas, et faire particulièrement attention aux zones mises en surbrillance avec les étiquettes suivantes :



DANGER! Souligne une zone dans laquelle une blessure corporelle voire la mort résultera du manque de respect des instructions. Des dommages mécaniques peuvent également se produire.



AVERTISSEMENT! Souligne une zone dans laquelle une blessure corporelle voire la mort **risque** de résulter du manque de respect des instructions. Des dommages mécaniques peuvent également se produire.



ATTENTION! Ne pas observer une « **Attention** » peut endommager l'équipement.



IMPORTANT! Ces boîtes contiennent des informations qui illustrent un point qui peut économiser du temps ou peut être essentiel à un bon fonctionnement ou clarifie une étape.

Chez Tuthill, votre satisfaction à l'égard de nos produits est primordiale pour nous. Pour toute question ou tout besoin d'assistance concernant ce produit, prière de nous contacter en composant le 1-800-634-2695 (du lundi au vendredi, de 8 h à 17 h HE).

Sécurité



DANGER! Le câblage électrique doit être effectué avec une extrême prudence et conformément aux codes locaux, de l'État et nationaux de l'électricité NEC/ANSI/NFPA 70, NFPA 30 et NFPA 30A tel qu'approprié pour l'usage prévu de la pompe. Utiliser des conduits rigides filetés, des raccords étanches et un joint conducteur selon les besoins. La pompe doit être correctement mise à la terre. En cas d'installation s'écartant de ce manuel, un électricien agréé doit effectuer l'installation. Une mauvaise installation ou utilisation de ce produit entraînera des blessures corporelles graves voire la mort!



DANGER! Pour assurer un fonctionnement sûr et approprié de l'équipement, il est essentiel de lire et d'adhérer à l'ensemble des avertissements et précautions de sécurité suivants. Le non-respect des instructions ci-dessous, une mauvaise installation ou utilisation de ce produit entraîneront des blessures corporelles voire la mort!

- **NE JAMAIS** fumer à proximité de la pompe ou utiliser la pompe près de flammes nues lors d'un pompage de liquides inflammables! L'incendie peut résulter!
- Ce produit ne doit pas être utilisé pour le transfert de fluides dans aucun type d'aéronef en raison de la possibilité d'étincelles et de décharge statique. Les étincelles/décharge statique provoqueront des explosions.



DANGER! Afin de minimiser les accumulations d'électricité statique et les explosions possibles, n'utiliser qu'un tuyau flexible à conducteur statique lors du pompage de fluides inflammables et garder l'embout du pistolet en contact avec le récipient à remplir durant le processus de remplissage. Les étincelles/décharge statique provoqueront des explosions.



AVERTISSEMENT! Les joints de tuyaux filetés et les connexions doivent être étanchéifiés avec un produit ou un ruban d'étanchéité approprié pour minimiser la possibilité de fuites. Des fuites de carburant risquent d'entraîner un risque d'incendie et d'explosion.



ATTENTION! Le moteur de pompe est muni d'une protection de surcharge thermique; en cas de surchauffe, le moteur s'arrêtera pour ne pas endommager les enroulements. Dans ce cas, il faut mettre la pompe hors tension pour réinitialiser cette fonction de sécurité et remettre la pompe sous tension une fois qu'elle a refroidi pour continuer à l'utiliser. La pompe ne redémarrera pas si elle n'est pas complètement refroidie.



ATTENTION! Ce produit ne doit pas être utilisé avec des liquides prévus pour la consommation humaine ou des liquides contenant de l'eau. Les matériaux de construction ne sont pas de qualité alimentaire. La pompe tolère l'eau, toutefois, une utilisation prolongée avec de l'eau raccourcira la durée de vie des ailettes et peut entraîner le gonflement du rotor. Rincer/vider la pompe après avoir pompé de l'eau pour s'assurer que l'eau ne reste pas dans le corps de la pompe pour prévenir toute usure prématurée. Rincer avec un produit pétrolier (essence, diesel, mazout léger, etc.) pour éliminer toute eau résiduelle.



IMPORTANT! Un filtre Fill-Rite devrait être utilisé dans le raccordement de sortie de la pompe afin qu'aucun matériau étranger ne puisse être transféré au réservoir de carburant. Tout matériau étranger peut endommager l'équipement à remplir.

Installation

La pompe Fill-Rite Série RD est conçue pour être portable pour commodité et sécurité. Elle offre une conception unique d'ailettes articulées qui élimine le besoin d'une soupape de dérivation. En raison de leur nature unique, les pompes de Série RD peuvent être installées/utilisées sous plusieurs configurations. Lire chaque configuration avant de commencer l'installation.



AVERTISSEMENT! La pompe de Série RD est conçue principalement pour des applications portables, utilisant des réservoirs sur palettes, tambours, barils et autres conteneurs de carburant portables pour le ravitaillement en carburant. Il est primordial d'ancrer le réservoir d'alimentation ou le tambour auquel la pompe est connectée pour s'assurer qu'aucun mouvement ne se produise en transit ou lors du ravitaillement. Ne pas sécuriser le réservoir ou le tambour peut entraîner un mouvement inattendu et non contrôlé, provoquant des dommages, des blessures voire la mort, et un risque d'incendie et d'explosion.



IMPORTANT! Ne pas utiliser de clapets anti-retour ou de clapets à pied; les clapets réduisent le taux d'écoulement et la performance de la pompe.

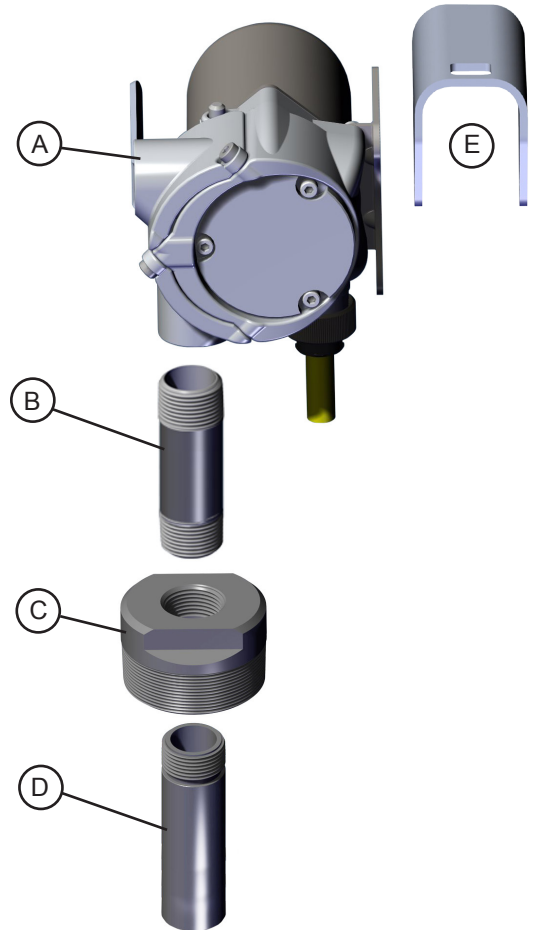
Configuration de montage sur bonde



AVERTISSEMENT! Les joints de tuyaux filetés et les connexions doivent être étanchéifiés avec un produit ou un ruban d'étanchéité approprié pour minimiser la possibilité de fuites. Les fuites créent le risque d'incendie ou d'explosion.

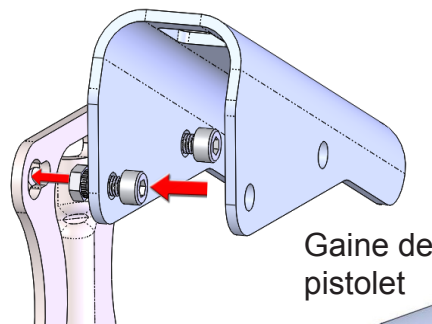
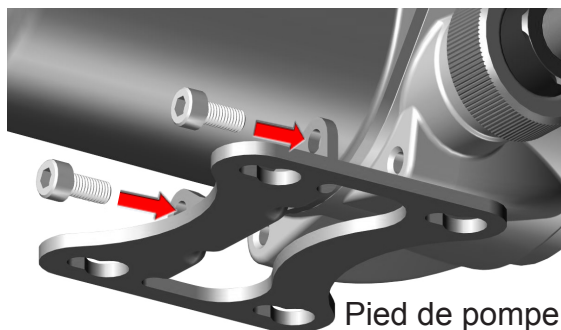
La pompe de Série RD se monte sur la bonde par le biais du tube d'aspiration d'adaptateur de bonde. Le tube d'aspiration se visse dans l'adaptateur de bonde, et doit être ajusté à une longueur qui le positionne à moins de 75 mm (3 po) du fond du réservoir. Le réservoir ou le tambour doit être ventilé. S'assurer de déconnecter l'alimentation avant de continuer.

1. Modifier la configuration de sortie (A) pour une décharge horizontale (en option). Voir les instructions en page 6.
2. Visser le mamelon (B) dans l'arrivée de la pompe et bien sceller.
3. Visser l'autre extrémité du mamelon dans l'adaptateur de bonde (C) et bien sceller.
4. Visser l'extrémité filetée (D) du tuyau d'aspiration réglable dans le bas de l'adaptateur de la bonde.
5. Étendre le tuyau d'aspiration dans l'ouverture du réservoir ou du baril dans les 75 mm (3 po) du fond du réservoir ou du baril. **Ne pas** faire reposer le tuyau d'aspiration sur le fond.
6. Fileter l'adaptateur de bonde dans la bonde et serrer.
7. Installer le tuyau de décharge avec un pistolet ou une valve à l'extrémité qui puisse être bien fermée pour prévenir tout siphonnage lorsque la pompe n'est pas utilisée.
8. Attacher la gaine de pistolet (E) au pied de pompe (en option).



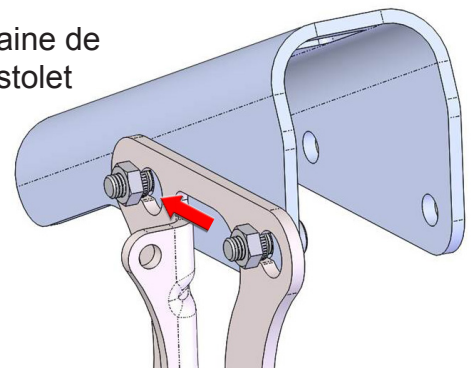
Installation du pied de montage et de la gaine de pistolet

Le pied de montage est boulonné au bas de la pompe à l'aide des deux vis à tête cylindrique fournies. Monter le pied sur le côté le plus long faisant face au devant de la pompe comme l'illustre le schéma. Serrer à un couple de 5,6 Nm (50 po/lb) avec une clé hexagonale de 4 mm.



Dans les applications de montage sur bonde, une gaine de pistolet peut être attachée au pied de montage de la pompe pour entreposage du pistolet.

- Insérer les deux vis tête hexagonale de 4 mm à travers la gaine de pistolet.
- Fileter les écrous noyés à sertir partiellement dans les vis tête hexagonale de 4 mm.
- Insérer l'ensemble écrou/vis à travers les ouvertures à fentes dans le pied de la pompe.
- Faire glisser l'ensemble dans l'extrémité étroite des fentes.
- Utiliser une clé hexagonale de 4 mm pour serrer la gaine de pistolet en place.

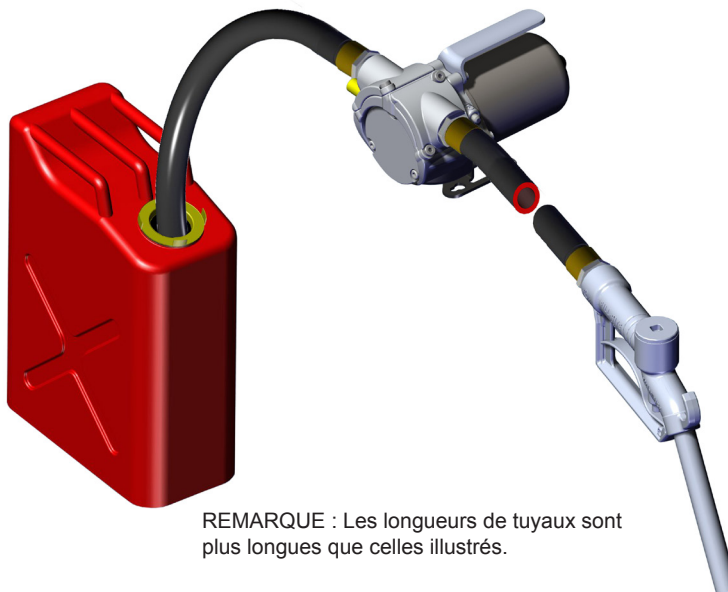


Configuration du tuyau d'aspiration



AVERTISSEMENT! Les joints de tuyaux filetés et les connexions doivent être étanchéifiés avec un produit ou un ruban d'étanchéité approprié pour minimiser la possibilité de fuites. Les fuites créent le risque d'incendie ou d'explosion.

1. Certains tuyaux d'arrivée et de sortie compatibles sur le plan chimique qui contiennent un fil de décharge statique sont réservés pour une utilisation avec des liquides inflammables et sont d'une valeur nominale d'au moins 3,4 bar (50 psi).
2. Reconfigurer les brides d'arrivée et de sortie si besoin est (en option). Instructions ci-dessous.
3. Utiliser un pistolet inductif ou une valve à l'extrémité du tuyau de décharge qui puisse être bien fermée pour prévenir tout siphonnage accidentel lorsque la pompe n'est pas utilisée.
4. **REMARQUE :** Lors du pompage à partir d'un conteneur en métal, l'extrémité en métal du tuyau d'aspiration **DOIT** être en contact avec le conteneur en métal pour une continuité électrique.



REMARQUE : Les longueurs de tuyaux sont plus longues que celles illustrés.

Sécurité lors du plein

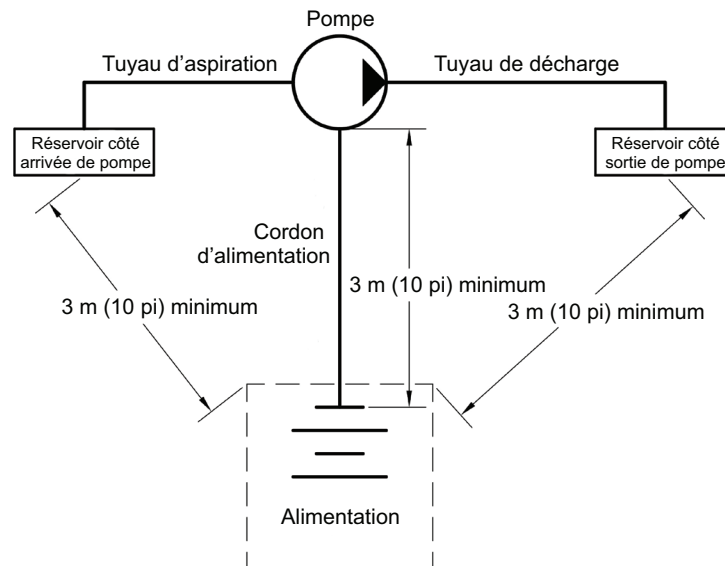


DANGER! Les fumées accumulées lorsque l'on fait le plein créent une atmosphère explosive. Il est **ESSENTIEL** que toutes les sources possibles de combustion soient éloignées à une distance sûre ou éteintes. Les sources de combustion incluent, mais sans s'y limiter : flammes nues, cigarettes, décharge statique ou connexions électriques pouvant créer une étincelle. Une explosion, un incendie et de graves blessures, voire la mort, se produiront si les vapeurs explosives sont enflammées.

Les fumées accumulées lorsque l'on fait le plein créent une atmosphère explosive autour du réservoir à remplir. Pour éviter toute explosion possible des vapeurs accumulées, il est essentiel de garder les sources possibles d'étincelles/de combustion à des distances sûres des vapeurs de carburant.

Le schéma accompagnant illustre les distances sûres minimales pour faire un plein en toute sécurité. 3 m (10 pi) est la distance sûre minimale entre :

- La source d'alimentation et le ravitaillement en carburant.
- La source d'alimentation et le réservoir à remplir.
- La source d'alimentation et la pompe.



AVERTISSEMENT

- RISQUE D'EXPLOSION DUE À DES ÉTINCELLES D'ÉLECTRICITÉ STATIQUE
- NE JAMAIS remplir des conteneurs portatifs se trouvant dans ou sur des véhicules



- TOUJOURS METTRE LES CONTENEURS SUR LE SOL
- Rester en contact avec le conteneur en faisant son plein



Une étincelle d'électricité statique peut se produire lors du remplissage de conteneurs portatifs se trouvant sur la doublure de caisse de camion, ou sur la moquette ou les tapis de plancher de tout véhicule. Cette étincelle enflammera avec une explosion un incendie de vapeurs d'essence et provoquera de GRAVES BLESSURES voire la MORT.

Configuration des brides



AVERTISSEMENT! S'assurer que les joints et le filtre sont correctement positionnés et propres à chaque reconfiguration des brides. Des joints ou des filtres mal installés ou sales pourraient entraîner des fuites et le risque d'incendie ou d'explosion

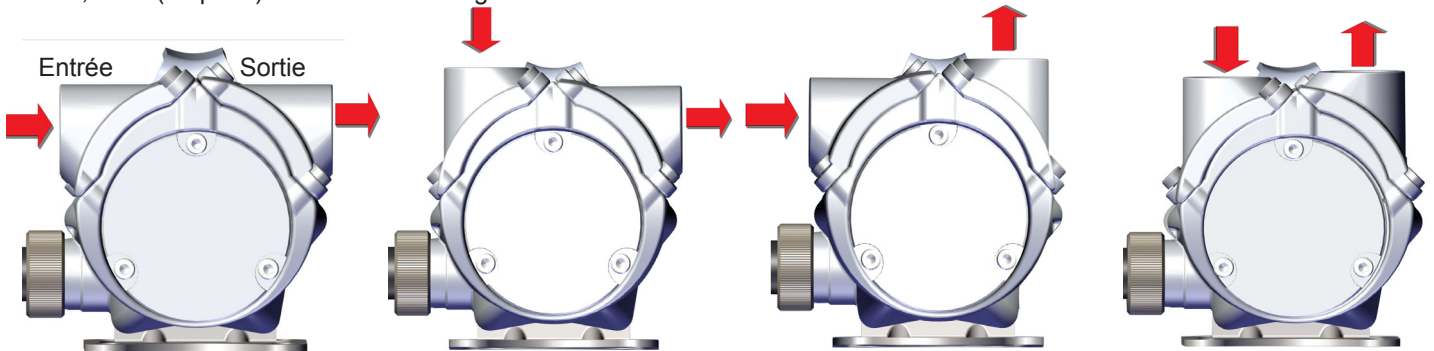


ATTENTION! Toujours d'assurer que l'interrupteur d'alimentation est accessible après reconfiguration des ports d'entrée et de sortie.

Les brides d'entrée et de sortie de la pompe Série RD peuvent être configurées verticalement, horizontalement ou une combinaison des deux.

Pour changer la position d'une bride :

1. Retirer les deux boulons à tête cylindrique maintenant la bride en position.
2. Retirer la bride; examiner les surfaces d'étanchéité pour être sûr qu'elles sont propres et scelleront correctement.
3. Positionner le joint et le filtre, et placer la bride dans la position désirée.
4. Utiliser les deux boulons à tête cylindrique pour rattacher fermement la bride au boîtier de pompe. Serrer à un couple de 5,6 Nm (50 po/lb) avec une clé hexagonale de 4 mm.



Raccordement de l'alimentation en courant continu



DANGER! S'assurer que l'interrupteur d'alimentation est sur « OFF » avant de connecter les pinces de la batterie/câbles d'alimentation à la source d'alimentation ou d'installer le câble dans la pompe pour prévenir tout démarrage intempestif du moteur. Un démarrage intempestif du moteur peut provoquer une décharge intentionnelle de carburant, créant un risque d'explosion et/ou d'incendie.

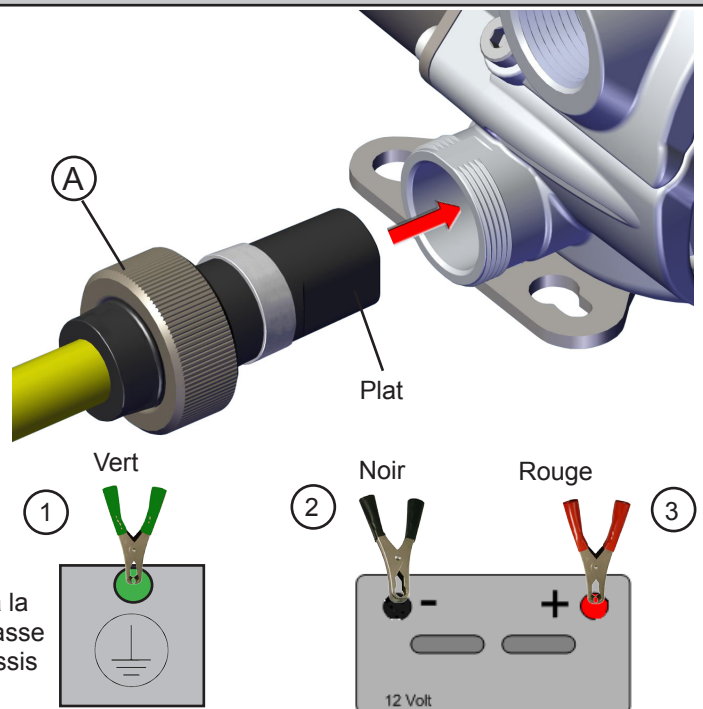
Inspecter le câble d'alimentation avant toute utilisation! Des dommages à la gaine externe du câble qui expose des fils exigent le remplacement du câble d'alimentation.

Installer le câble d'alimentation en l'alignant à plat sur la fiche avec le devant de la pompe. Insérer la fiche dans le boîtier de pompe comme l'indique le schéma. Verrouiller en place à l'aide du collier fileté (A). **SERRER À LA MAIN SEULEMENT!** Le câble d'alimentation se termine en pinces verte, noire et rouge. Il faut utiliser les trois pinces.

1. La pince verte (masse) doit être connectée en premier. Connecter la pince verte au châssis du véhicule ou à une prise de terre. **NE PAS** connecter la pince verte à la borne de source d'alimentation négative.
2. Ensuite, connecter la pince noire (négative) à la borne négative de la source d'alimentation en courant continu.
3. Connecter la pince rouge (positive) à la borne positive en dernier.

Les pinces doivent être déconnectées dans l'ordre inverse.

Mise à la terre/masse de châssis



Interrupteur d'alimentation



DANGER! S'assurer que l'interrupteur d'alimentation est sur « OFF » avant de connecter les pinces de la batterie/câbles d'alimentation à la source d'alimentation ou d'installer le câble dans la pompe pour prévenir tout démarrage intempestif du moteur. Un démarrage intempestif du moteur peut provoquer une décharge intentionnelle de carburant, créant un risque d'explosion et/ou d'incendie.



AVERTISSEMENT! Le corps de la pompe de Série RD devient chaud avec une utilisation prolongée. Toujours utiliser la poignée pour soulever et transporter la pompe lorsqu'on la déplace. Faire preuve de prudence en saisissant la poignée car la peau exposée peut être brûlée en cas de contact avec la pompe.



IMPORTANT! La pompe Série RD utilise une protection de surcharge thermique pour prévenir toute surchauffe. Si la pompe s'arrête en raison d'une surcharge thermique, mettre l'interrupteur d'alimentation sur « OFF ». Une fois la pompe refroidie, l'interrupteur peut être remis sur « ON » pour réinitialiser la protection thermique.

La pompe Série RD est munie d'un interrupteur d'alimentation coulissant ON/OFF. L'interrupteur se trouve sur le dessus de la pompe sur l'arrière du boîtier de pompe. Pour faire fonctionner la pompe, enfoncer l'interrupteur dans la position désirée. Appuyer sur « ON » pour faire fonctionner la pompe et sur « OFF » pour l'arrêter.

REMARQUE : Le côté sur lequel le bouton d'interrupteur est enfoncé est la fonction qu'effectue l'interrupteur.

Pompe hors tension



Pompe sous tension

Sécurité opérationnelle



DANGER! NE PAS utiliser la pompe dans des espaces fermés lors du pompage de fluides dangereux ou explosifs. L'espace de pompage doit être bien aéré. Des vapeurs concentrées dans un espace fermé sont nocives et hautement explosives!



AVERTISSEMENT! NE JAMAIS déconnecter le câble d'alimentation de la pompe pendant que la pompe est allumée ou connectée à une source d'alimentation. **TOUJOURS** éteindre la pompe et déconnecter toutes les pinces de la source d'alimentation **AVANT** de déconnecter le câble d'alimentation de la pompe. Des courts-circuits électriques, des étincelles ou un démarrage intempestif peuvent se produire.



AVERTISSEMENT! Faire preuve de prudence lors de l'utilisation ou du transport de la pompe. Les tuyaux et le câble d'alimentation électrique peuvent présenter un risque de trébucher; faire preuve de prudence à chaque fois que la pompe est déplacée avec les tuyaux et le câble d'alimentation connectés pour éviter de trébucher ou de s'emmêler.



AVERTISSEMENT! L'ensemble de la pompe peut devenir chaud avec une utilisation prolongée. Faire preuve de prudence lors de la manipulation de la pompe après utilisation; toujours utiliser la poignée pour déplacer ou tenir la pompe. La pompe dispose d'un cycle de travail de 30 minutes en marche/30 minutes à l'arrêt.



ATTENTION! NE PAS faire fonctionner la pompe si une partie de la construction du moteur anti-explosion manque ou est compromise. Le démontage du moteur compromettra la conception anti-explosion et annulera toute garantie.



ATTENTION! NE PAS faire fonctionner la pompe à sec pendant plus de 30 secondes. **NE PAS** faire fonctionner la pompe en dérivation pendant plus de 5 minutes. La pompe sera endommagée.

Dépannage

Ce guide de dépannage offre une assistance de diagnostic de base. Pour toute autre question, nous contacter au 1-800-634-2695 (L-V 8 h à 17 h HE), ou sur le Web à « www.fillrite.com ».



DANGER! NE PAS ouvrir ni tenter de réparer le moteur de la pompe Tuthill. Le rapporter au lieu d'achat pour tout entretien. L'ouverture du boîtier du moteur peut compromettre l'intégrité de sa construction à l'épreuve des explosions et annulera toute garantie en vigueur et homologation (par ex. ATEX, homologation UL, CE, etc.).



DANGER! Débrancher toute alimentation avant d'effectuer toute procédure de service ou de maintenance. Ne pas débrancher la l'alimentation risque de provoquer un choc électrique, ou un démarrage intempestif du moteur, entraînant des blessures voire la mort.

Symptôme	Cause	Solution
La pompe ne s'amorce pas.	Problème de conduite d'aspiration.	Inspecter la conduite d'aspiration pour fuites ou restrictions; elle peut être trop petite, trop longue, non étanche ou trop basse verticalement.
	Grippage des excentriques.	Vérifier les excentriques pour rayures, dommages, obstructions ou usure excessive. Remplacer si nécessaire.
	Usure excessive du rotor, des excentriques, du couvercle de rotor ou du boîtier.	Inspecter le rotor, les excentriques, le couvercle du rotor et le boîtier pour usure excessive; remplacer si nécessaire.
	Entrée/sortie bloquées.	Vérifier la pompe, le tuyau, le pistolet et le filtre/la crépine pour tout blocage éventuel.
	Grippage par vapeur.	Diminuer la distance verticale et horizontale de la pompe au liquide.
	Connexions d'alimentation inversées.	Rectifier connexions d'alimentation.
Faible capacité.	Saleté excessive dans la crépine.	Retirer et nettoyer la crépine.
	Problème de conduite d'aspiration.	Inspecter la conduite d'aspiration pour fuites ou restrictions; elle peut être trop petite, trop longue, non étanche ou trop basse verticalement.
	Usure excessive du rotor, des excentriques, du couvercle de rotor ou du boîtier.	Inspecter le rotor, les excentriques, le couvercle du rotor et le boîtier pour usure excessive; remplacer si nécessaire.
	Tuyau ou pistolet endommagé.	Remplacer le tuyau ou le pistolet.
	Niveau de fluide bas.	Remplir le réservoir.
	Tension incorrecte.	Vérifier la tension de ligne à l'arrivée pendant que la pompe fonctionne.
	Grippage des excentriques.	Vérifier les excentriques pour rayures, dommages, obstructions ou usure excessive. Remplacer si nécessaire.
	Problème de câblage.	Vérifier présence de connexions desserrées.
	Problème de moteur.	Rapporter au lieu d'achat.
Moteur cale/fusible grille.	Court-circuit dans le câblage	Inspecter le câble électrique pour tout court-circuit éventuel et remplacer si nécessaire.
	Usure excessive de rotor et d'excentriques.	Vérifier les excentriques pour rayures, dommages, obstructions ou usure excessive. Remplacer si nécessaire.
	Verrouillage de rotor de pompe.	Nettoyer et vérifier rotor et excentriques de pompe.
	Débris dans la cavité de pompe.	Nettoyer les débris de la cavité de pompe.
	Les composants se gonflent de l'eau de pompage.	Laisser la pompe sécher complètement.

Le texte en caractères gras indique des réparations qui ne peuvent pas être effectuées par le propriétaire; la pompe doit être retournée au lieu d'achat pour toute réparation.

Dépannage (suite)

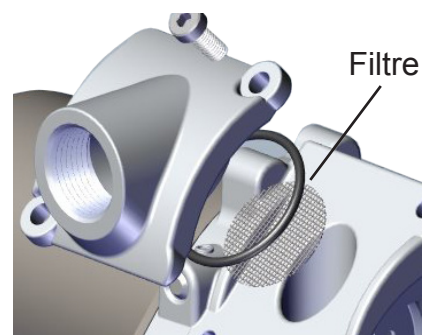
Symptôme	Cause	Solution
Fuite de liquide.	Joint torique défectueux.	Vérifier tous les joints toriques.
	Joint d'arbre défectueux.	Rapporter au lieu d'achat.
	Liquide incompatible.	Consulter la liste des pièces mouillées (page 10).
	Fixations desserrées.	Serrer les fixations.
	Joints de plomberie inadéquats.	Resceller les connexions de plomberie.
La pompe ronfle mais ne fonctionne pas.	Défaillance du moteur.	Rapporter au lieu d'achat.
Le moteur surchauffe.	Pompage de fluides de très haute viscosité.	Ces fluides peuvent seulement être pompés pour de courtes périodes (moins de 30 minutes par cycle de travail).
	Crépine bouchée.	Retirez et nettoyez la crépine.
	Conduite d'aspiration restreinte.	Retirer et nettoyer la conduite.
	Défaillance du moteur.	Rapporter au lieu d'achat.
	Verrouillage de rotor de pompe.	Nettoyer et vérifier rotor et excentriques de pompe.
	Pas d'alimentation.	Vérifier l'alimentation à l'arrivée.
	Défaillance d'interrupteur.	Rapporter au lieu d'achat.
	Câblage incorrect/desserré.	Vérifier le câblage et les connexions.
Moteur ne fonctionne pas.	Pas d'alimentation.	Vérifier l'alimentation à l'arrivée.
	Défaillance d'interrupteur.	Rapporter au lieu d'achat.
	Défaillance du moteur.	Rapporter au lieu d'achat.
	Le moteur surchauffe.	Arrêter le moteur et le laisser refroidir.
	Câblage incorrect/desserré.	Vérifier le câblage et les connexions.
	Fusible grillé.	Remplacer le fusible de 30 A.

Le texte en caractères gras indique des réparations qui ne peuvent pas être effectuées par le propriétaire; la pompe doit être retournée au lieu d'achat pour toute réparation.

Nettoyage du filtre d'arrivée

Un contrôle et un nettoyage périodiques du filtre d'arrivée sur la pompe Série RD permettent de maintenir la performance et le flux. Pour accéder au filtre, retirer la bride d'arrivée comme il l'est décrit en page 5. Nettoyer, rincer et sécher le filtre à fond avant de le remonter.

Inspecter le filtre, les joints et la zone des brides pour débris et dommages éventuels. Si le filtre ou les joints toriques sont endommagés, les remplacer avec le kit KIT812SL.



Accessoires

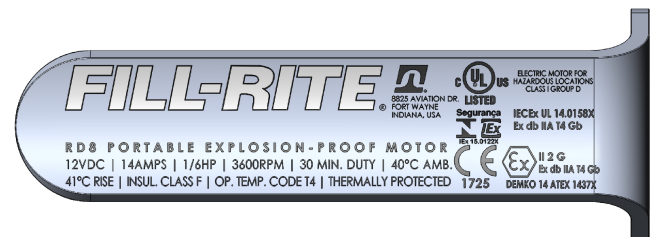
Accessoire	Description
1200KTF7018	Kit de filtre à particules 10 microns (installations de montage sur bonde uniquement)
F1810PM0	Filtre « spin-on » de rechange 10 microns (particules) (installations de montage sur bonde uniquement)
1210KTF7019	Kit de filtre Hydrosorb (installations de montage sur bonde uniquement)
F1810HM0	Filtre « spin-on » Hydrosorb de rechange (installations de montage sur bonde uniquement)
FRHMN075S	Pistolet manuel de 3/4 po

Information technique

Moteur	RD8	RD12
Alimentation - CC 12, 24, 12/24	12 VCC	12 VCC
Puissance nominale HP (chevaux)	1/6 HP	1/6 HP
Longueur du câble d'alimentation	3 m (10 pi)	3 m (10 pi)
Calibre du câble d'alimentation	14 AWG	14 AWG
Connecteurs de batterie CC du câble d'alimentation	Oui	Oui
Ampères (FLA)	14 A	14 A
Tours par minute	3 600	3 600
Cycle de travail	30 min. ON / 30 min. OFF	30 min. ON / 30 min. OFF
Protection thermique	Oui	Oui
Fusible de protection de circuit	Oui (Fusible de 30 A)	Oui (Fusible de 30 A)
Certification	UL/cUL Motor, CE/ATEX/IECEX Pompe	UL/cUL Motor, CE/ATEX/IECEX Pompe
Pompe		
Membrane, engrenage, excentrique de type rotatif	Excentrique articulée rotative	Excentrique articulée rotative
Taux d'écoulement dans configuration fournie	Maximum de 30 l/min (8 gpm)	Maximum de 45 l/min (8 gpm)
Taux d'écoulement écoulement libre - sans tuyau ni pistolet	Maximum de 38 l/min (10 gpm)	Maximum de 50 l/min (10 gpm)
Pression de décharge maximale. (bar [psi]) – Max	1,1 bar (16 PSI)	1,1 bar (16 PSI)
Aspiration à sec (mm [po] Hg)	127 mm (5 po) Hg	127 mm (5 po) Hg
Tête – Max (m [pi])	11 m (37 pi)	11 m (37 pi)
Clapet anti-siphon	Aucun	Aucun
Entrée – Taille/Filetage	3/4 po NPT / BSPP	3/4 po NPT / BSPP
Sortie – Taille/Filetage	3/4 po NPT / BSPP	3/4 po NPT / BSPP
Montage	Bonde de 2 po (NPT) / BSPT	Bonde de 2 po (NPT) / BSPT
Matériaux de construction – boîtier de pompe	Aluminium	Aluminium
Matériaux de construction – matériau mouillé	BUNA-N + HNBR	BUNA-N + HNBR
Matériaux de construction du rotor	Nylon	Nylon
Matériaux de construction des excentriques du rotor	Acétal	Acétal
Fluides compatibles	Diesel, essence, biodiésel jusqu'à B20, E15, kérosène, essences minérales, méthanol (jusqu'à 15 %)	Diesel, essence, biodiésel jusqu'à B20, E15, kérosène, essences minérales, méthanol (jusqu'à 15 %)
Taille de mailles de filtre	20 x 20	20 x 20
Garantie (ans)	2 ans	2 ans

Informations de l'étiquette du moteur

La poignée de transport sur la pompe Série RD comporte d'importantes informations techniques, de performance et de certification. S'assurer que cette poignée reste toujours attachée à la pompe.



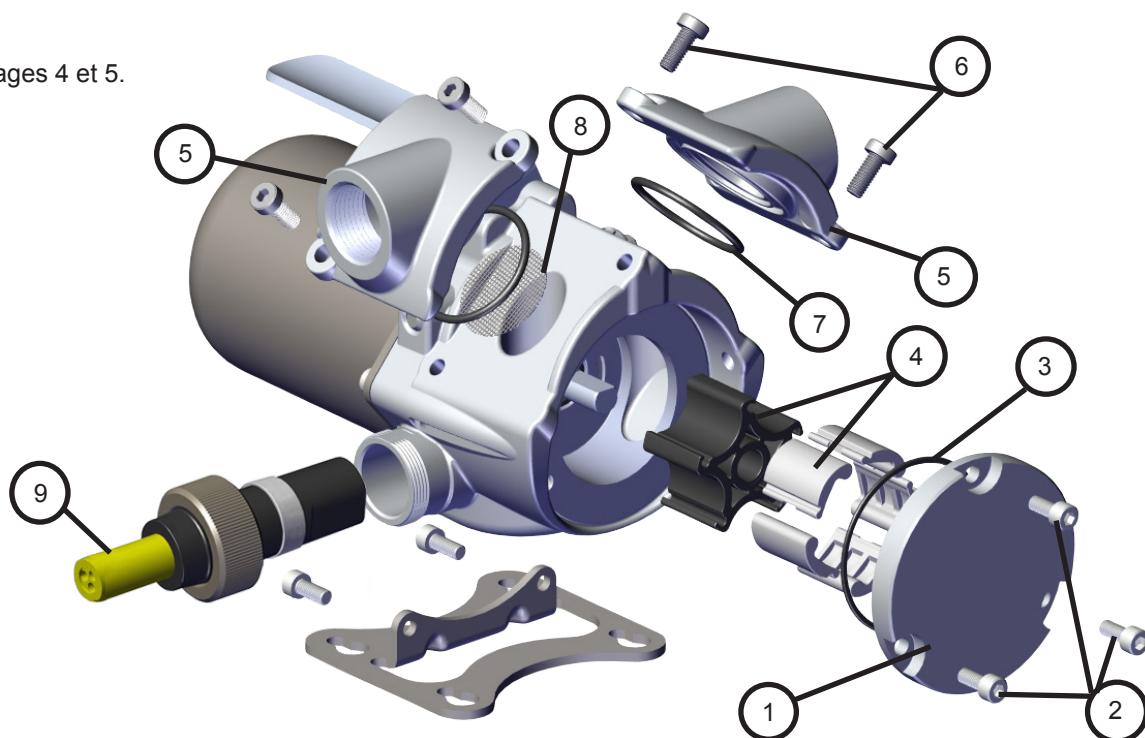
Kits et pièces

Numéro de kit	Description	Pièces
KIT812PC	Kit de câble d'alimentation	Ensemble de câble d'alimentation à raccordement rapide (9) et Instructions*
KIT812PCE	Kit de câble d'alimentation (L'Europe)	Ensemble de câble d'alimentation à raccordement rapide (9) et Instructions*
KIT812RG KIT1212RG**	Kit de reconditionnement	Rotor et excentriques (4), Couvercle de rotor (1), Filtre d'entrée (8), Joints toriques de brides (7), Joint torique de couvercle de rotor (3), Fixations de brides (6), Fixations de couvercle de rotor (2) et Instructions*
KIT812FL	Kit de bride simple (NPT)	Bride (5), Filtre d'entrée (8), Joint torique de bride (7), Fixations de bride (6) et Instructions*
KIT812FLB	Kit de bride simple (BSPP)	Bride (5), Filtre d'entrée (8), Joint torique de bride (7), Fixations de bride (6) et Instructions*
KIT812SL	Ensemble d'étanchéité	Filtre d'entrée (8), Joints toriques de brides (7), Joint torique de couvercle de rotor (3), Fixations de brides (6), Fixations de couvercle de rotor (2) et Instructions*
KIT812NH	Kit de tuyaux	Tuyau d'aspiration 3/4 po x 1,8 pi°, Tuyau de décharge 3/4 po x 2,4 pi°, Adhésif PTFE* et Instructions*
KIT1212NH**	Kit de tuyaux	Tuyau d'aspiration 3/4 po x 1,8 pi°, Tuyau de décharge 3/4 po x 2,4 pi°, Adhésif PTFE* et Instructions*
KIT812NP	Kit de montage sur bonde	Tuyau d'aspiration°, Adaptateur de bonde°, Mamelon°, Gaine de pistolet°, Fixations de gaine de pistolet°, Adhésif PTFE* et Instructions*

*Article non illustré.

**RD12

°Article illustré en pages 4 et 5.



Certifications d'essais de sécurité

La gamme de pompes Fill-Rite a été testée pour la sécurité en conformité aux normes réglementaires suivantes. Consulter les informations sur la poignée de la pompe pour déterminer les certifications applicables à un modèle particulier.

Les tests de certification information est situé sur le dos de couverture de ce manuel.

Informations de test de sécurité

Les normes suivantes ont été utilisées pour indiquer la conformité en Amérique du Nord :

UL 674 – Electric Motors and Generators for Use in Division 1 Hazardous (Classified) Locations, 5e édition.

Les normes suivantes ont été utilisées pour indiquer la conformité dans l'Union européenne :

Directive 2014/34/UE – Appareils et systèmes de protections destinés à être utilisés en atmosphères explosibles.

EN 60079-0:2012 Atmosphères explosives - Partie 0 : matériel - Exigences générales.

EN 60079-1:2014 Atmosphères explosives – Partie 1 : protection du matériel par enveloppes antidéflagrantes « d ». * IEC

60079-0 : Atmosphères explosives - Partie 0 : matériel – Exigences générales.

IEC 60079-1 : Atmosphères explosives – Partie 1 : protection du matériel par enveloppes antidéflagrantes « d », 7e édition. Directive 2006/42/CE – Directive machines.

EN 809:1998 +A:2009 – Pompes et unités de pompes pour liquides – Exigences communes en matière de sécurité. EN

ISO 12100:2010 – Sécurité des machines – Principes généraux de conception.

Directive 2004/108/CE – Compatibilité électromagnétique.

Directive 2011/65/UE – Limitation de l'utilisation de certaines substances dangereuses dans les équipements électriques et électroniques.

***Les valeurs minimales et maximales des joints antidéflagrants dépendent de ce qui est indiqué dans la Table 2 d'EN60079-1:2014. Communiquer avec le fabricant pour tout renseignement sur les dimensions des joints antidéflagrants.**

***Les fixations utilisées pour fixer l'acier peut pour le carter en aluminium ont une élasticité d'1100MPa.**

FILL-RITE®

The Most Trusted Name in Pumps and Meters

Tuthill Corporation
8825 Aviation Drive | Fort Wayne, Indiana 46809
T (800) 634-2695 | (260) 747-7524
F (800) 866-4861
www.fillrite.com
www.tuthill.com

Tuthill UK LTD.
Birkdale Close Manners Industrial Estate
Ilkeston, Derbyshire
DE7 8YA
Royaume-Uni
T +44 0 115 932 5226
F +44 0 115 932 4816

FILL-RITE®

Betriebs- und Sicherheitsanleitung
Tragbare DC-Kraftstofftransferpumpe

PORTABLE
SERIES
RD



 **Tuthill**

PROUDLY
 Made in
USA

Inhalt

Sicherheitsinformationen	3
Montage.....	3
Pfropfenmontage-Konfiguration.....	4
Einbau von Montagefuß und Zapfventilhalterung.....	4
Saugschlauch-Konfiguration.....	5
Sicherheit beim Auftanken.....	5
Flanschkonfiguration	6
Gleichstromanschluss	6
Netzschalter.....	7
Betriebssicherheit.....	7
Störungsbeseitigung.....	8
Reinigung des Einlasssiebs.....	9
Zubehör	9
Technische Daten.....	10
Angaben am Motortypenschild	10
Sätze und Ersatzteile	11
Sicherheitsprüfung-Zertifikate.....	11

Vielen Dank!

Vielen Dank für den Kauf einer tragbaren Pumpe der RD Serie! Das Fill-Rite® Produkt wird durch mehr als 80 Jahre Erfahrung bei der Pumpenherstellung gestützt und bietet Ihnen den besten Wert, überlegene Leistung, ein benutzerfreundliches Design, ausgezeichnete Langlebigkeit und solide, einfache Technik. Erfahrung, die Ihnen Sorgenfreiheit bietet.

Tuthill. Pumpe Ihr Herz in es!

Zu diesem Handbuch

Vom anfänglichen Konzept bis zur endgültigen Produktion ist die Fill-Rite®-Pumpe für problemlosen Betrieb auf Jahre hinaus ausgelegt. Um diese Funktionsweise zu gewährleisten und schwere oder tödliche Verletzungen zu verhindern, müssen Sie dieses gesamte Handbuch durchlesen, bevor der Einbau oder Betrieb der neuen Pumpe versucht wird. Machen Sie sich mit den Begriffen und Diagrammen vertraut und achten Sie genau auf die hervorgehobenen Bereiche mit den folgenden Bezeichnungen:



GEFAHR! Hebt einen Bereich hervor, in dem bei Nichtbefolgung der Anweisungen schwere oder tödliche Verletzungen auftreten **werden**. Es können auch mechanische Schäden entstehen.



WARNUNG! Hebt einen Bereich hervor, in dem bei Nichtbefolgung der Anweisungen schwere oder tödliche Verletzungen auftreten **können**. Es können auch mechanische Schäden entstehen.



VORSICHT! Bei Nichtbeachtung eines „Vorsichtshinweises“ besteht die Gefahr von Maschinenschäden.



WICHTIG! Diese Textfelder enthalten Informationen, die auf Zeitersparnisse hinweisen, für den korrekten Betrieb wichtig sind oder einen Arbeitsschritt weiter erläutern.

Bei Tuthill ist Ihre Zufriedenheit mit unseren Produkten von höchster Bedeutung. Bei Fragen oder wenn Sie Hilfe mit dem Produkt benötigen, kontaktieren Sie uns bitte unter der Rufnummer 1-800-634-2695 (Mo-Fr 8.00-17.00 Uhr EST).

Sicherheitsinformationen



GEFAHR! Die Verkabelung darf nur äußerst vorsichtig durchgeführt werden und muss dem vorgesehenen Verwendungszweck der Pumpe, den geltenden örtlichen und landesweiten Vorschriften, dem technischen Regelwerk sowie NEC/ANSI/NFPA 70, NFPA 30 und NFPA 30A entsprechen. Verschraubte Kabelrohre, abgedichtete Anschlüsse und Leiterdichtungen müssen verwendet werden, wo dies erforderlich ist. Die Pumpe muss vorschriftsmäßig geerdet sein. Eine Montage im Gegensatz zu den Anweisungen in diesem Handbuch darf nur von einem lizenzierten Elektriker vorgenommen werden. Eine unvorschriftsmäßige Montage oder Verwendung dieses Produkts wird zu schweren oder tödlichen Verletzungen führen!



GEFAHR! Zur Gewährleistung der sicheren und korrekten Funktionsweise des Geräts müssen alle Sicherheitswarnungen und Vorsichtsmaßnahmen gelesen und befolgt werden. Wenn die nachstehenden Anweisungen nicht befolgt werden sowie bei unsachgemäßer Montage oder Verwendung dieses Produktes, hat dies schwere oder tödliche Verletzungen zur Folge!

- **NIEMALS** in der Nähe der Pumpe rauchen und die Pumpe beim Pumpen entzündlicher Flüssigkeiten nicht in der Nähe von offenen Flammen verwenden! Es besteht Brandgefahr!
- Dieses Produkt darf nicht zum Transfer von Flüssigkeiten in beliebige Arten von Flugzeugen verwendet werden, da die Möglichkeit von Funkenbildung/statischer Entladung besteht. Funken/statische Entladung verursachen Explosionen.



GEFAHR! Zur Minimierung des Aufbaus statischer Elektrizität und möglicher Explosionen darf beim Pumpen entzündlicher Flüssigkeiten nur ein Schlauch mit einem Statikableitungsdraht verwendet werden; das Zapfventil muss während des Füllens durchgehend Kontakt mit dem Behälter haben, in den abgefüllt wird. Funken/statische Entladung verursachen Explosionen.



WARNUNG! Rohrgewindeverbindungen und Anschlüsse müssen mit geeignetem Dichtmittel oder Dichtband abgedichtet werden, um die Wahrscheinlichkeit von Leckage zu minimieren. Undichter Kraftstoff kann einen Brand oder eine Explosion verursachen.



VORSICHT! Der Pumpenmotor ist mit einem thermischen Überlastschutz ausgestattet; bei Überhitzung schaltet sich der Motor ab, um Schäden an den Wicklungen zu vermeiden. In diesem Fall muss die Stromversorgung zur Pumpe ausgeschaltet und diese Sicherheitsfunktion zurückgesetzt werden. Nach der Abkühlung kann die Pumpe wieder eingeschaltet und weiter verwendet werden. Die Pumpe kann erst wieder starten, nachdem sie ausreichend abgekühlt ist.



VORSICHT! Dieses Produkt ist nicht für Flüssigkeiten geeignet, die für menschlichen Verzehr geeignet sind bzw. Flüssigkeiten, die Wasser enthalten. Die Bauwerkstoffe sind nicht Nahrungsmittel geeignet. Die Pumpe ist wassertolerant; jedoch wird eine langfristige Verwendung mit Wasser die Standzeit der Schieber verkürzen und kann zum Anschwellen des Rotors führen. Die Pumpe muss nach dem Pumpen von Wasser gespült/entleert werden, um sicherzustellen, dass kein stehendes Wasser im Pumpengehäuse verbleibt und um frühzeitigen Verschleiß zu verhindern. Mit einem Petroleumprodukt (Benzin, Diesel, Leichtöl usw.) spülen, um Wasserrückstände zu entfernen.



WICHTIG! Ein „Fill-Rite“-Filter muss am Auslass der Pumpe vorgesehen werden, damit keine Fremdstoffe in den Kraftstofftank eingetragen werden. Fremdstoffe können die betankte Maschine beschädigen.

Montage

Die Fill-Rite Pumpe der RD Serie ist eine tragbare, praktische und sichere Pumpe. Sie zeichnet sich durch gelenkig befestigte Schieber aus, durch die der Bedarf für ein Bypassventil eliminiert wird. Aufgrund ihres Aufbaus können die Pumpen der RD-Serie in mehreren Konfigurationen montiert und verwendet werden. Lesen Sie die Anweisungen für die jeweilige Konfiguration durch, bevor Sie mit der Montage beginnen.



WARNUNG! Die Pumpe der RD Serie ist in erster Linie für tragbare Anwendungen vorgesehen, bei denen Tanks auf Schienen, Fässer und andere transportable Kraftstoffbehälter als Kraftstoffversorgung zum Einsatz kommen. Es ist entscheidend, dass der Versorgungstank oder das Fass, mit dem die Pumpe verbunden ist, verankert wird, damit während des Transports oder beim Tanken keine Bewegung möglich ist. Falls der Tank oder das Fass nicht gesichert wird, können unkontrollierte Bewegungen und damit Schäden, schwere oder tödliche Verletzungen und möglicherweise ein Brand oder eine Explosion ausgelöst werden.



WICHTIG! Keine Rückschlagventile oder Fußventile verwenden, da diese die Durchflussrate und Leistung der Pumpe verringern.

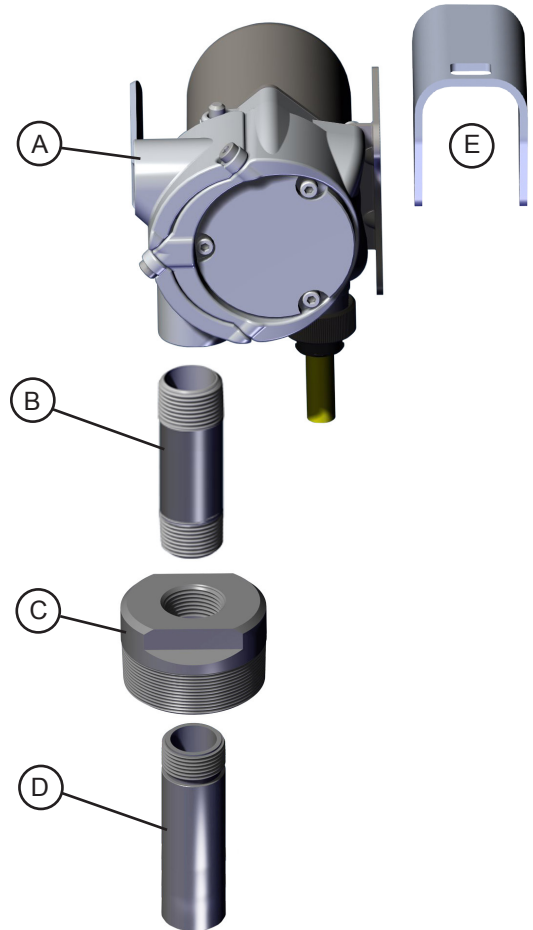
Pfropfenmontage-Konfiguration



WARNUNG! Rohrgewindeverbindungen und Anschlüsse müssen mit geeignetem Dichtmittel oder Dichtband abgedichtet werden, um die Wahrscheinlichkeit von Leckage zu minimieren. Undichtigkeiten sind ein Potenzial für Brand oder Explosion.

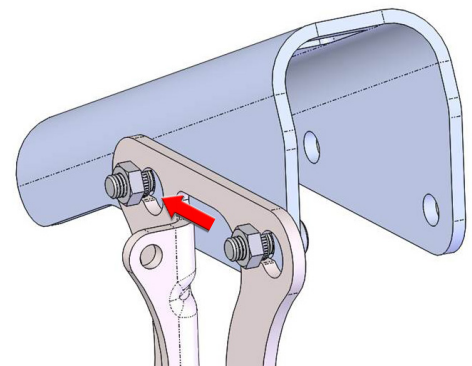
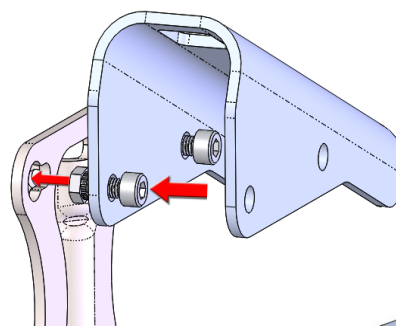
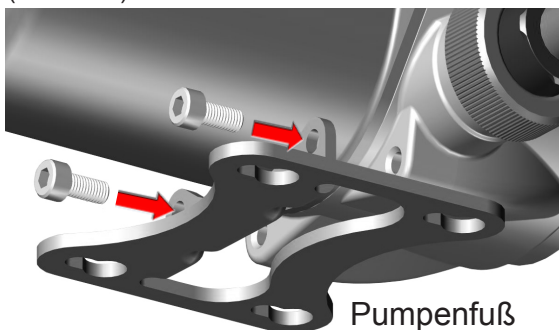
Die Pumpe der RD Serie wird mit dem Pfropfenadapter-Saugrohr auf dem Pfropfen montiert. Der Saugschlauch wird in den Pfropfenadapter geschraubt und muss so zugeschnitten werden, dass er maximal 75 mm (3 Zoll) über dem Tankboden liegt. Der Tank oder das Fass muss entlüftet sein. Sicherstellen, dass die Stromversorgung abgetrennt ist, bevor hier weitergearbeitet wird.

1. Die Auslasskonfiguration (A) für horizontale Abgabe ändern (optional). Anweisungen sind auf Seite 6 zu finden.
2. Den Nippel (B) in die Pumpe schrauben und flüssigkeitsdicht festziehen.
3. Das andere Ende des Nippels in den Pfropfenadapter (C) schrauben und flüssigkeitsdicht festziehen.
4. Das Gewindeende (D) des verstellbaren Saugschlauchs an der Unterseite des Pfropfenadapters anschrauben.
5. Den Saugschlauch so in die Tank- oder Fassöffnung verlegen, dass das Schlauchende maximal 75 mm (3 Zoll) über dem Tank- oder Fassboden liegt. Der Saugschlauch **darf nicht** am Boden aufliegen.
6. Den Pfropfenadapter in den Pfropfen schrauben und festziehen.
7. Am Ende des Pumpenschlauchs eine Düse oder ein Zapfventil vorsehen, das dicht verschließbar ist, um Siphonwirkung zu vermeiden, wenn die Pumpe nicht verwendet wird.
8. Die Zapfventilhalterung (E) am Pumpenfuss montieren (optional).



Einbau von Montagefuß und Zapfventilhalterung

Der Montagefuß wird mit den zwei mitgelieferten Inbusschrauben an der Pumpenunterseite verschraubt. Der Fuß muss mit der langen Seite in Richtungen Pumpenvorderseite montiert werden (wie dargestellt). Mit einem 4-mm-Inbusschlüssel mit einem Drehmoment von 5,6 Nm (50 Zoll-lb) festziehen.



Bei Anwendungen mit Pfropfenmontage kann am Pumpenfuss eine Zapfventilhalterung zur Aufnahme des Zapfventil montiert werden.

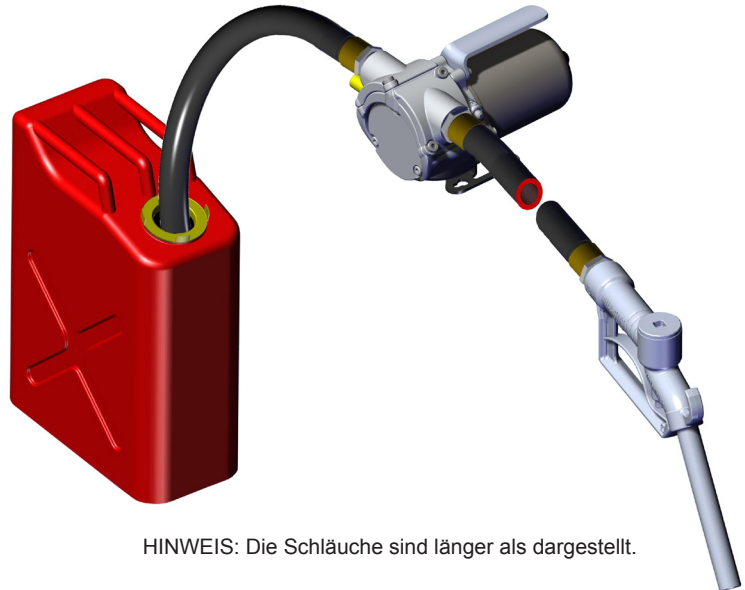
- Die zwei 4-mm-Inbusschrauben durch die Zapfventilhalterung einsetzen.
- Die Muttern teilweise auf die Inbusschrauben drehen.
- Die Muttern/Schrauben-Baugruppe durch die Langlöcher im Pumpenfuss stecken.
- Die Baugruppe zur schmalen Seite der Langlöcher schieben.
- Die Zapfventilhalterung mit einem 4-mm-Inbusschlüssel festziehen.

Saugschlauch-Konfiguration



WARNUNG! Rohrgewindeverbindungen und Anschlüsse müssen mit geeignetem Dichtmittel oder Dichtband abgedichtet werden, um die Wahrscheinlichkeit von Leckage zu minimieren. Undichtigkeiten sind ein Potenzial für Brand oder Explosion.

1. Chemisch verträgliche Ein- und Auslassschläuche mit einem Statikableitungsdraht, die zur Verwendung mit entzündlichen Flüssigkeiten geeignet sind und eine Nenndruckfestigkeit von mindestens 345 kPa (50 psi) haben, auswählen.
2. Die Ein- und Auslassflansche nach Bedarf neu konfigurieren (optional). Siehe Anweisungen unten.
3. Am Ende des Pumpenschlauchs eine induktive Düse oder ein induktives Zapfventil vorsehen, das dicht verschließbar ist, um versehentliche Siphonwirkung zu vermeiden, wenn die Pumpe nicht verwendet wird.
4. **HINWEIS:** Beim Pumpen aus einem Metallbehälter **MUSS** das Metallende des Saugschlauchs Kontakt mit dem Metallbehälter haben, um elektrische Leitfähigkeit zu gewährleisten.



HINWEIS: Die Schläuche sind länger als dargestellt.

Sicherheit beim Auftanken

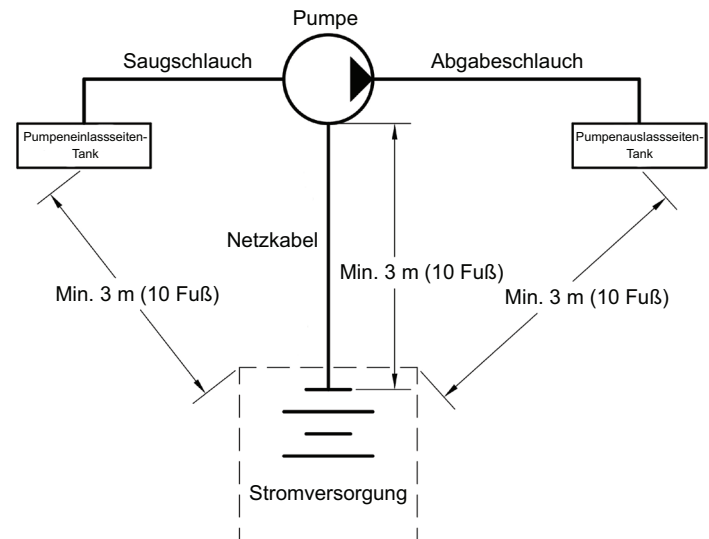


GEFAHR! Beim Auftanken angesammelte Dämpfe können eine explosive Atmosphäre bilden. Es ist **KRITISCH**, dass alle möglichen Zündquellen in einen sicheren Abstand gebracht oder ausgelöscht werden. Zu Zündquellen gehören u. a. offene Flammen, Zigaretten, statische Entladung oder elektrische Anschlüsse, die Funken erzeugen können. Explosion, Brand und schwere oder tödliche Verletzungen können auftreten, wenn sich explosive Dämpfe entzünden.

Beim Auftanken angesammelte Dämpfe können eine explosive Atmosphäre rund um den betankten Tank bilden. Um eine mögliche Explosion von angesammelten Dämpfen zu vermeiden, ist es entscheidend, dass mögliche Funken-/Zündquellen in einem sicheren Abstand von den Kraftstoffdämpfen gehalten werden.

Das Diagramm zeigt die Mindestsicherheitsabstände für sicheres Auftanken. 3 m (10 Fuß) ist der Mindestsicherheitsabstand zwischen:

- Stromquelle und Kraftstofftank.
- Stromquelle und dem zu füllenden Tank.
- Stromquelle und Pumpe.



<p>WARNUNG</p> <ul style="list-style-type: none"> • EXPLOSIONSGEFAHR DURCH STATISCHE ELEKTRIZITÄT • NIEMALS tragbare Behälter in oder auf Fahrzeugen füllen 		<ul style="list-style-type: none"> • BEHÄLTER STETS AM BODEN ABSTELLEN • Beim Füllen muss das Zapfventil stets Kontakt mit dem Behälter haben 	<p>Beim Füllen von Behältern auf Lkw-Pritschen oder auf Fahrzeug-Polsterungen bzw. -Bodenbelägen können Funkensprünge durch statische Elektrizität auftreten. Diese Funken können Benzindämpfe explosionsartig entzünden und SCHWERE oder TÖDLICHE VERLETZUNGEN verursachen.</p>
--	--	---	--

Flanschkonfiguration

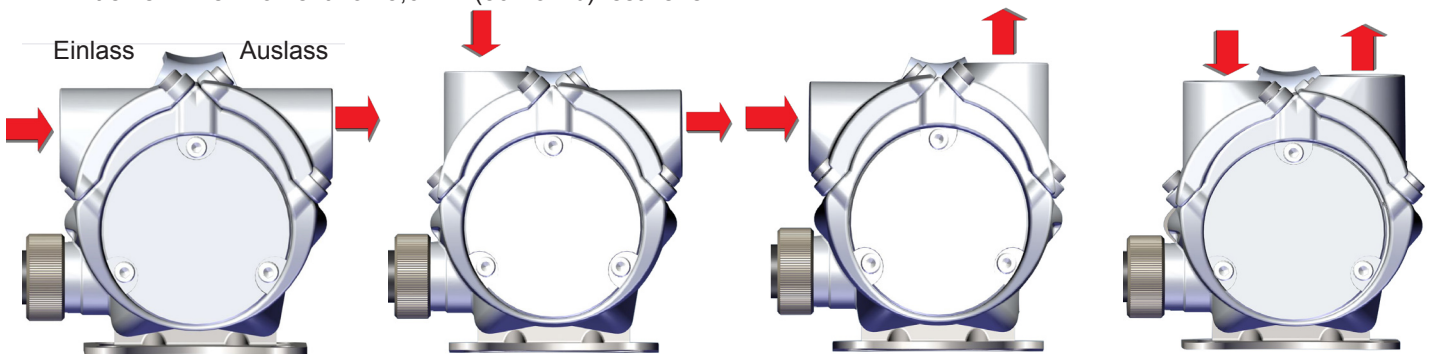
! WARNUNG! Sicherstellen, dass Dichtungen und Siebe korrekt platziert und sauber sind, wenn die Flansche neu konfiguriert werden. Unvorschriftsmäßig eingebaute oder verschmutzte Dichtungen oder Siebe können Undichtigkeiten und damit einen Brand oder eine Explosion verursachen.

! VORSICHT! Stets darauf achten, dass der Netzschalter zugänglich ist, nachdem die Ein- und Auslassanschlüsse neu konfiguriert wurden.

Die Ein- und Auslassflansche der Pumpe der RD Serie können vertikal, horizontal oder in einer vertikalen/horizontalen Kombination konfiguriert werden.

So wird die Position eines Flansches geändert:

1. Die Inbusschrauben entfernen, mit denen der Flansch befestigt ist.
2. Den Flansch abnehmen; prüfen, ob die Dichtflächen sauber sind und gut abdichten werden.
3. Die Dichtung und das Sieb in Position bringen und den Flansch in die gewünschte Position bringen.
4. Den Flansch mit den zwei Inbusschrauben wieder sicher am Pumpengehäuse befestigen. Mit einem 4-mm-Inbusschlüssel mit einem Drehmoment von 5,6 Nm (50 Zoll-lb) festziehen.



Gleichstromanschluss

! GEFAHR! Darauf achten, dass der Netzschalter auf OFF (AUS) gestellt ist, bevor die Batterieklemmen/Netzkabel an die Stromquelle oder das Kabel an der Pumpe angebracht werden, um ein versehentliches Anlassen des Motors zu vermeiden. Ein versehentlicher Motorstart kann unbeabsichtigt Kraftstoff abgeben und eine Explosions- und Brandgefahr erzeugen.

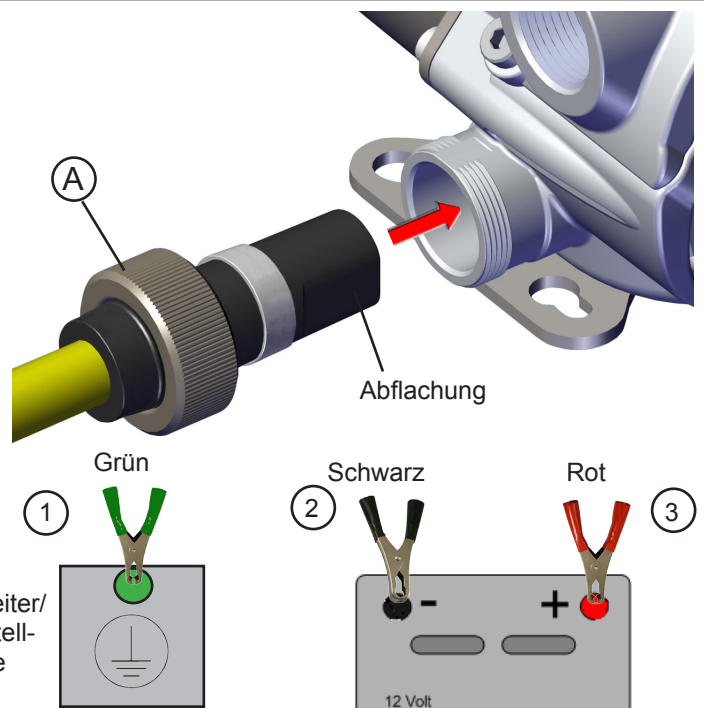
Das Netzkabel vor jedem Gebrauch überprüfen. Wenn der äußere Mantel des Kabels beschädigt ist und die Verkabelung sichtbar ist, muss das Netzkabel ersetzt werden.

Das Netzkabel anbringen, indem die Abflachung am Stecker auf die Pumpenvorderseite ausgerichtet wird. Den Stecker wie dargestellt in das Pumpengehäuse schieben. Mit der Gewindemuffe (A) sichern. **NUR VON HAND FESTZIEHEN!** Das Netzkabel hat grüne, schwarze und rote Klemmen. Es müssen alle drei Klemmen verwendet werden.

1. Die grüne Klemme (Masse) muss als erstes angeschlossen werden. Die grüne Klemme an eine Fahrzeugmasse oder einen Erdungsleiter anschließen. Die grüne Klemme **NICHT** an den Minuspol der Stromquelle anschließen.
2. Nun die schwarze Klemme (Minus) an den Minuspol der Gleichstromquelle anschließen.
3. Die rote Klemme (Plus) zuletzt an den Pluspol anschließen.

Die Klemmen müssen in umgekehrter Reihenfolge abgeklemmt werden.

Erdungsleiter/
Fahrgestell-
masse



Netzschalter



GEFAHR! Darauf achten, dass der Netzschalter auf OFF (AUS) gestellt ist, bevor die Batterieklemmen/Netzkabel an die Stromquelle oder das Kabel an der Pumpe angebracht werden, um ein versehentliches Anlassen des Motors zu vermeiden. Ein versehentlicher Motorstart kann unbeabsichtigt Kraftstoff abgeben und eine Explosions- und Brandgefahr erzeugen.



WARNUNG! Das Gehäuse der Pumpe der RD Serie kann bei langem Betrieb heiß werden. Die Pumpe beim Transportieren/Umstellen stets am Griff heben und tragen. Beim Anfassen des Griffs vorsichtig sein, da nackte Haut verbrannt werden kann, wenn sie Kontakt mit einer heißen Pumpe hat.



WICHTIG! Die Pumpe der RD Serie ist durch einen thermischen Überlastschutz vor Überhitzung gesichert. Wenn sich die Pumpe bei Überhitzung abschaltet, den Netzschalter auf OFF (AUS) stellen. Nachdem die Pumpe abgekühlt ist, kann der Schalter wieder auf ON (EIN) geschaltet werden, um den thermischen Überlastschutz zurückzusetzen.

Die Pumpe der RD Serie hat einen EIN/AUS-Schiebeschalter. Der Schalter befindet sich an der Pumpenoberseite an der Rückseite des Pumpengehäuses. Zum Betrieb der Pumpe muss der Schalter in die gewünschte Position geschoben werden. Auf ON (EIN), um die Pumpe zu betreiben; auf OFF (AUS), um die Pumpe abzuschalten.

HINWEIS: Die Seite, auf die der Schalterknopf geschoben ist, ist die Funktion, die der Schalter ausführt.

Pumpe aus



Pumpe ein



Betriebssicherheit



GEFAHR! Die Pumpe **NICHT** in geschlossenen Bereichen verwenden, wenn gefährliche oder explosive Flüssigkeiten gepumpt werden. Der Pumpbereich muss gut belüftet sein. Konzentrierte Dämpfe in einem geschlossenen Bereich sind giftig und stark explosiv!



WARNUNG! NIEMALS das Netzkabel von der Pumpe abziehen, während die Pumpe eingeschaltet oder an eine Stromquelle angeschlossen ist. **STETS** die Pumpe ausschalten und alle Klemmen von der Stromquelle entfernen, **BEVOR** das Netzkabel von der Pumpe abgezogen wird. Andernfalls können Kurzschlüsse, Funken oder unerwartetes Einschalten die Folge sein.



WARNUNG! Beim Betrieb oder Tragen der Pumpe vorsichtig sein. Die Schläuche und das Netzkabel können eine Stolpergefahr bilden; vorsichtig sein, wenn die Pumpe mit angeschlossenen Schläuchen und angeschlossenem Netzkabel umgestellt wird, um Stolpern oder Verfangen zu verhindern.



WARNUNG! Die Pumpenbaugruppe kann bei langem Betrieb heiß werden. Beim Umgang mit der Pumpe nach dem Gebrauch vorsichtig sein; die Pumpe stets am Griff halten oder tragen. Die Pumpe hat einen Arbeitszyklus von 30 Minuten ein/30 Minuten aus.



VORSICHT! Die Pumpe **NICHT** betreiben, wenn ein Teil des explosions sicheren Motorgehäuses fehlt oder beschädigt ist. Beim Zerlegen des Motors wird die explosions sichere Konstruktion beeinträchtigt und dadurch wird auch die Garantie ungültig.



VORSICHT! Die Pumpe **NICHT** länger als 30 Sekunden trocken betreiben. Die Pumpe **NICHT** länger als 5 Minuten im Bypass-Modus betreiben. Andernfalls wird die Pumpe beschädigt.

Störungsbeseitigung

Diese Anleitung zur Störungsbeseitigung bietet grundlegende diagnostische Hilfe. Wenn Sie weitere Fragen haben, kontaktieren Sie uns bitte unter der Rufnummer 1-800-634-2695 (Mo-Fr 8.00-17.00 Uhr EST) oder über das Internet unter www.fillrite.com.



GEFAHR! KEINESFALLS den Motor der Tuthill-Pumpe öffnen oder zu reparieren versuchen. Er muss an die Verkaufsstelle zurückgebracht werden. Wenn das Motorgehäuse geöffnet wird, wird dies die explosions sichere Bauweise beeinträchtigen. Dadurch werden außerdem die Garantie und Zulassungen (z. B. ATEX, UL-Listing, CE usw.) ungültig.



GEFAHR! Die gesamte Stromversorgung zur Pumpe abtrennen, bevor Wartungs- oder Instandsetzungsarbeiten durchgeführt werden. Wenn die Stromversorgung nicht abgetrennt wird, kann dies Stromschläge oder ein unerwartetes Starten des Motors und damit schwere oder tödliche Verletzungen verursachen.

Symptom	Ursache	Abhilfe
Pumpe lässt sich nicht vorfüllen.	Problem in Saugleitung.	Saugleitung auf Lecks oder Blockierungen prüfen; sie kann zu klein, zu lang, nicht luftdicht oder zu tief abgesenkt sein.
	Schieber klemmen.	Schieber auf Kerben, Schäden, Blockierungen oder starken Verschleiß prüfen. Nach Bedarf austauschen.
	Zu starker Verschleiß von Rotor, Schieber, Rotorabdeckung oder Gehäuse.	Rotor, Schieber, Rotorabdeckung und Gehäuse auf starken Verschleiß prüfen; nach Bedarf ersetzen.
	Blockierung in Ein-/Auslass.	Pumpe, Schlauch, Zapfventil und Filter/Sieb auf Blockierung prüfen.
	Dampfblasenbildung.	Vertikalen und horizontalen Abstand von Pumpe zu Flüssigkeit verringern.
	Stromanschlüsse vertauscht.	Stromanschlüsse korrigieren.
Mangelhafte Förderleistung.	Zu viel Schmutz im Sieb.	Sieb ausbauen und reinigen.
	Problem in Saugleitung.	Saugleitung auf Lecks oder Blockierungen prüfen; sie kann zu klein, zu lang, nicht luftdicht oder zu tief abgesenkt sein.
	Zu starker Verschleiß von Rotor, Schieber, Rotorabdeckung oder Gehäuse.	Rotor, Schieber, Rotorabdeckung und Gehäuse auf starken Verschleiß prüfen; nach Bedarf ersetzen.
	Schlauch oder Zapfventil ist beschädigt.	Schlauch oder Zapfventil austauschen.
	Niedriger Flüssigkeitsstand.	Tank auffüllen.
	Falsche Spannung.	Versorgungsspannung bei laufender Pumpe prüfen.
	Schieber klemmen.	Schieber auf Kerben, Schäden, Blockierungen oder starken Verschleiß prüfen. Nach Bedarf austauschen.
	Verkabelungsproblem.	Auf lose Anschlussstellen prüfen.
Motorproblem.	Zur Verkaufsstelle zurückbringen.	
Motor stirbt ab / Sicherung brennt durch.	Kurzschluss in Verkabelung.	Stromkabel auf Kurzschlüsse prüfen und nach Bedarf austauschen.
	Übermäßiger Rotor- oder Schieberverschleiß.	Schieber auf Kerben, Schäden, Blockierungen oder starken Verschleiß prüfen. Nach Bedarf austauschen.
	Pumpenrotor blockiert.	Rotor und Schieber reinigen und überprüfen.
	Rückstände in Pumpenkammer.	Rückstände aus Pumpenkammer reinigen.
	Komponenten durch das Pumpen von Wasser angeschwollen.	Pumpe vollständig trocknen lassen.

Fettgedruckter Text weist auf Reparaturen hin, die der Eigentümer nicht selbst durchführen kann; die Pumpe muss zur Reparatur an die Verkaufsstelle zurückgebracht werden.

Störungsbeseitigung (Forts.)

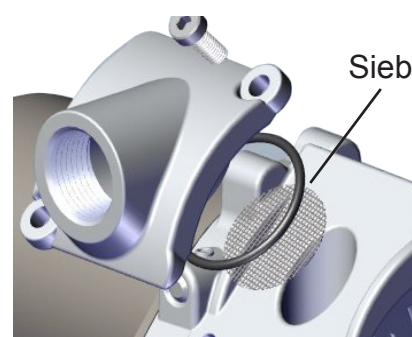
Symptom	Ursache	Abhilfe
Flüssigkeitsleck.	Mangelhafte O-Ring-Dichtung.	Alle O-Ringe überprüfen.
	Defekter Wellendichtring.	Zur Verkaufsstelle zurückbringen.
	Unverträgliche Flüssigkeit.	Auf die Liste der benetzten Teile Bezug nehmen (Seite 10).
	Lockere Befestigungsteile.	Befestigungsteile festziehen.
	Unzureichende Dichtungen in den Rohrleitungen.	Rohrleitungsanschlüsse neu abdichten.
Pumpe summt, lässt sich aber nicht betreiben.	Motorausfall.	Zur Verkaufsstelle zurückbringen.
Motor überhitzt.	Pumpen von hochviskosen Flüssigkeiten.	Diese Flüssigkeiten dürfen nur kurz (weniger als 30 Minuten Einschaltdauer) gepumpt werden.
	Verstopftes Sieb.	Sieb ausbauen und reinigen.
	Verstopfte Saugleitung.	Rohr ausbauen und reinigen.
	Motorausfall.	Zur Verkaufsstelle zurückbringen.
	Pumpenrotor blockiert.	Rotor und Schieber reinigen und überprüfen.
	Keine Stromversorgung.	Stromversorgung prüfen.
	Schalterausfall.	Zur Verkaufsstelle zurückbringen.
	Falsche oder lose Verkabelung.	Verkabelung/Anschlüsse prüfen.
Motor ist funktionsunfähig.	Keine Stromversorgung.	Stromversorgung prüfen.
	Schalterausfall.	Zur Verkaufsstelle zurückbringen.
	Motorausfall.	Zur Verkaufsstelle zurückbringen.
	Motor überhitzt.	Abschalten und abkühlen lassen.
	Falsche oder lose Verkabelung.	Verkabelung/Anschlüsse prüfen.
	Sicherung durchgebrannt.	30-A-Sicherung austauschen.

Fettgedruckter Text weist auf Reparaturen hin, die der Eigentümer nicht selbst durchführen kann; die Pumpe muss zur Reparatur an die Verkaufsstelle zurückgebracht werden.

Reinigung des Einlasssiebs

Regelmäßige Inspektion und Reinigung des Einlasssiebs der Pumpe der RD Serie hilft Leistung und Durchfluss aufrecht zu erhalten. Das Sieb wird zugänglich gemacht, indem der Einlassflansch entfernt wird, wie auf Seite 5 beschrieben. Das Sieb vor dem Einbau reinigen, spülen und trocknen.

Sieb, Dichtungen und Flanschflächen auf Rückstände und Schäden überprüfen. Wenn Sieb oder O-Ringe beschädigt sind, diese durch Teile aus dem Satz KIT812SL ersetzen.



Zubehör

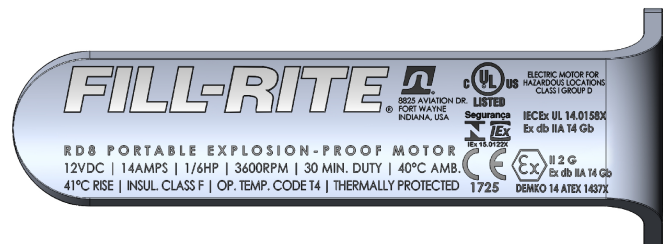
Zubehör	Beschreibung
1200KTF7018	10-µm-Teilchenfiltersatz (nur pfpfenmontierte Ausführungen)
F1810PM0	10-µm-Ersatzfilter, aufschraubbar (Teilchen) (nur pfpfenmontierte Ausführungen)
1210KTF7019	Hydrosorb Filtersatz (nur pfpfenmontierte Ausführungen)
F1810HM0	Hydrosorb-Ersatzfilter, aufschraubbar (nur pfpfenmontierte Ausführungen)
FRHMN075S	3/4-Zoll-Zapfventil, manuell

Technische Daten

Motor	RD8	RD12
Stromversorgung – Gleichspannung 12, 24, 12/24 V	12 VDC	12 VDC
Nennleistung (PS)	0,16 PS	0,16 PS
Netzkabellänge	3 m (10 Fuß)	3 m (10 Fuß)
Netzkabelstärke	14 AWG	14 AWG
Netzkabel Gleichspannungs-Batterieanschlüsse	Ja	Ja
A (FLA)	14 A	14 A
1/min	3600	3600
Arbeitszyklus	30 Min. EIN / 30 Min. AUS	30 Min. EIN / 30 Min. AUS
Thermischer Überlastschutz	Ja	Ja
Stromkreis-Sicherung	Ja (30-A-Sicherung)	Ja (30-A-Sicherung)
Zulassungen	UL/cUL Motor, CE/ATEX/IECEX Pumpe	UL/cUL Motor, CE/ATEX/IECEX Pumpe
Pumpe		
Typ – Kreisel, Membran, Zahnrad, Schieber	Drehschieber, an Scharnieren befestigt	Drehschieber, an Scharnieren befestigt
Durchflussrate in gelieferter Ausführung	Bis zu 30 l/min (8 gpm)	Bis zu 45 l/min (12 gpm)
Durchflussrate, offene Strömung – kein Schlauch/ Zapfventil	Bis 38 l/min (10 gpm)	Bis 50 l/min (13 gpm)
Max. Förderdruck. (kPa [psi]) – Max.*	110 kPa (16 psi)	110 kPa (16 psi)
Trockensaughöhe (mm [Zoll] Hg)	127 mm (5 Zoll) Hg	127 mm (5 Zoll) Hg
Druckhöhe – Max. (m [Fuß])	11 m (37 Fuß)	11 m (37 Fuß)
Heberschutzventil	Keines	Keines
Einlass – Größe/Gewinde	3/4 Zoll NPT/BSPP	3/4 Zoll NPT/BSPP
Auslass – Größe/Gewinde	3/4 Zoll NPT/BSPP	3/4 Zoll NPT/BSPP
Montage	2-Zoll-Pfropfen (NPT) / BSPT	2-Zoll-Pfropfen (NPT) / BSPT
Bauwerkstoffe – Pumpengehäuse	Aluminium	Aluminium
Bauwerkstoffe – benetzte Werkstoffe	BUNA-N + HNBR	BUNA-N + HNBR
Rotorwerkstoff	Nylon	Nylon
Drehschieber-Werkstoff	Acetal	Acetal
Verträgliche Flüssigkeiten	Diesel, Benzin, Biodiesel bis zu B20, E15, Kerosin, Mineralbeizen, Methanol (bis zu 15 %)	Diesel, Benzin, Biodiesel bis zu B20, E15, Kerosin, Mineralbeizen, Methanol (bis zu 15 %)
Siebmaschenweite	20 x 20	20 x 20
Garantie (Jahre)	2 Jahre	2 Jahre

Angaben am Motortypenschild

Auf dem Tragegriff der Pumpe der RD Serie sind wichtige technische, leistungsbezogene und Zertifizierungsinformationen angegeben. Darauf achten, dass dieser Griff immer an der Pumpe angebracht sein muss.



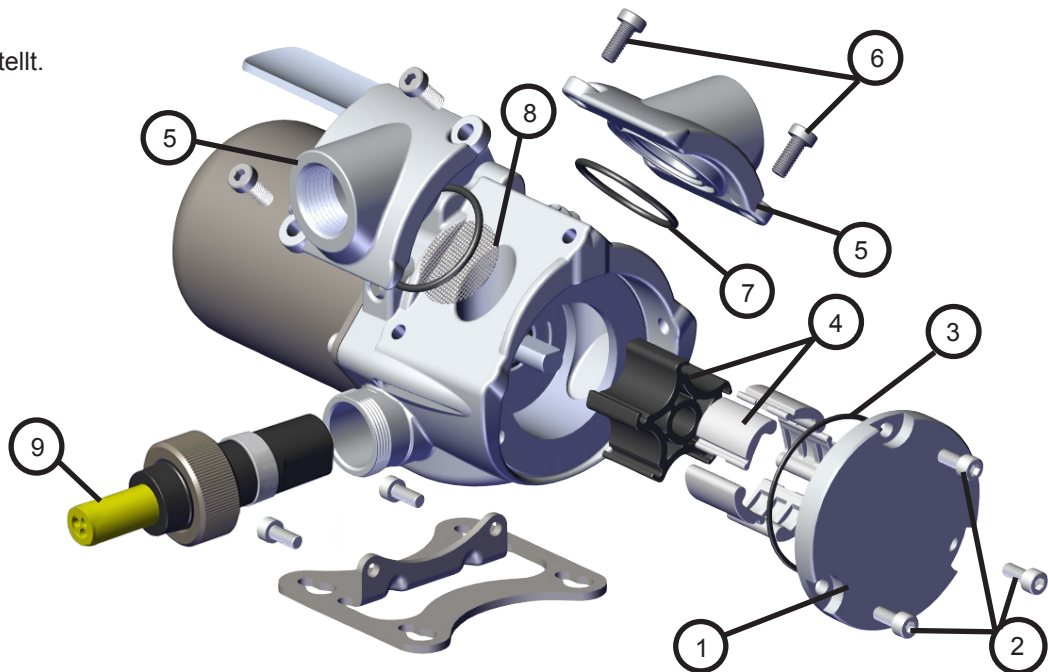
Sätze und Ersatzteile

Satz-Nr.	Beschreibung	Teile-Nr.
KIT812PC	Netzkabelsatz	Schnellverschluss-Netzkabelbaugruppe ⑨ und Anweisungen*
KIT812PC	Netzkabelsatz (Europa)	Schnellverschluss-Netzkabelbaugruppe ⑨ und Anweisungen*
KIT812RG KIT1212RG**	Nachrüstsatz	Rotor & Schieber ④, Rotorabdeckung ①, Einlasssieb ⑧, Flansch-O-Ringe ⑦, Rotorabdeckung-O-Ring ③, Flansch-Befestigungsteile ⑥, Rotorabdeckung-Befestigungsteile ② und Anweisungen*
KIT812FL	Einzelflanschsatz (NPT)	Flansch ⑤, Einlasssieb ⑧, Flansch-O-Ring ⑦, Flansch-Befestigungsteile ⑥ und Anweisungen*
KIT812FLB	Einzelflanschsatz (BSPP)	Flansch ⑤, Einlasssieb ⑧, Flansch-O-Ring ⑦, Flansch-Befestigungsteile ⑥ und Anweisungen*
KIT812SL	Dichtungssatz	Einlasssieb ⑧, Flansch-O-Ringe ⑦, Rotorabdeckung-O-Ring ③, Flansch-Befestigungsteile ⑥, Rotorabdeckung-Befestigungsteile ② und Anweisungen*
KIT812NH	Schlauchsatz	3/4 Zoll x 1,8 m (6 Fuß) Saugschlauch [◊] , 3/4 Zoll x 2,4 m (8 Fuß) Pumpenschlauch [◊] , PTFE-Band* und Anweisungen*
KIT1212NH**	Schlauchsatz	3/4 Zoll x 1,8 m (6 Fuß) Saugschlauch [◊] , 3/4 Zoll x 2,4 m (8 Fuß) Pumpenschlauch [◊] , PTFE-Band* und Anweisungen*
KIT812NP	Pfropfenmontagesatz	Saugrohr [◊] , Pfropfenadapter [◊] , Nippel [◊] , Zapfventilhalterung [◊] , Zapfventilhalterung-Befestigungsteile [◊] , PTFE-Band*, Anweisungen*

*Teil nicht dargestellt.

[◊]Teil auf Seite 4 und 5 dargestellt.

**RD12



Sicherheitsprüfung-Zertifikate

Diese Fill-Rite-Pumpenreihe wurde auf Sicherheitsprüfungen hinsichtlich Konformität mit folgenden Normen unterzogen. Die Informationen auf dem Griff der Pumpe enthalten die Zertifikate für das vorliegende Pumpenmodell.

Die Zertifizierungsprüfung Informationen befindet sich auf der Rückseite dieses Handbuchs.

Die Prüfung der Sicherheit von Informationen

Die Komformität für Nordamerika wurde anhand der folgenden Normen überprüft.

UL 674 – Elektromotoren und Generatoren zum Einsatz an Gefahrenstellen der Klassifizierung Division 1, 5. Ausgabe.

Die Komformität für die Europäische Union wurde anhand der folgenden Normen überprüft:

Richtlinie 2014/34/EU – Betriebsmittel und Schutzsysteme zur Verwendung in explosionsgefährdeten Bereichen.

EN 60079-0:2012 Explosionsgefährdete Bereiche – Teil 0: Betriebsmittel – Allgemeine Anforderungen.

EN 60079-1:2014 Explosionsgefährdete Bereiche – Teil 1: Geräteschutz durch druckfeste Kapselung „d“.*

IEC 60079-0 Explosionsgefährdete Bereiche – Teil 0: Betriebsmittel – Allgemeine Anforderungen, 6. Ausgabe.

IEC 60079-1 Explosionsgefährdete Bereiche – Teil 1: Geräteschutz durch druckfeste Kapselung „d“, 7. Ausgabe.

Richtlinie 2006/42/EG – Maschinenrichtlinie.

EN 809:1998 +A:2009 – Pumpen und Pumpenaggregate für Flüssigkeiten – Allgemeine sicherheitstechnische Anforderungen.

EN ISO 12100:2010 – Sicherheit von Maschinen – Grundbegriffe, allgemeine Gestaltungsleitsätze.

Richtlinie 2004/108/EG – Elektromagnetische Verträglichkeit.

Richtlinie 2011/65/EU – Beschränkung der Verwendung bestimmter gefährlicher Stoffe in Elektro- und Elektronikgeräten.

***Die Mindest- und Höchstwerte der druckfesten Verbindungen unterscheiden sich von den Angaben in Tabelle 2 von EN60079-1:2014. Informationen über die Abmessungen der druckfesten Verbindungen sind beim Hersteller nachzufragen.**

***Die Befestigungselemente verwendet, um den Stahl zu sichern das Gehäuse aus Aluminium haben eine Streckgrenze von 1100 MPa.**

FILL-RITE[®]
The Most Trusted Name in Pumps and Meters

Tuthill Corporation
8825 Aviation Drive | Fort Wayne, Indiana 46809, USA
T (800) 634-2695 | (260) 747-7524
F (800) 866-4861
www.fillrite.com
www.tuthill.com

Tuthill UK LTD.
Birkdale Close Manners Industrial Estate
Ilkeston, Derbyshire
DE7 8YA
UK
T +44 0 115 932 5226
F +44 0 115 932 4816

DC001582-000 Rev. 5

 **Tuthill**