

AC Series AfterCoolers

Air-cooled aftercoolers for your compressed air system.

CAPACITIES Maximum SCFM with 5, 10, 15 and 20°F approach

Model No.	150°F INLET Approach °F				200°F INLET Approach °F				250°F INLET Approach °F				300°F INLET Approach °F				350°F INLET Approach °F			
	5	10	15	20	5	10	15	20	5	10	15	20	5	10	15	20	5	10	15	20
AC-10	17	35*	35*	35*	11	22	35	35*	8	16	20	35	6	12	19	26	5	10	15	21
AC-20	29	43*	43*	43*	17	36	43*	43*	12	27	35	43*	10	20	31	42*	8	16	26	35
AC-30	43	72	72*	72*	28	50	70	72*	22	35	50	70	18	32	45	57	15	28	39	50
AC-40	95	125*	125*	125*	66	111	125*	125*	52	88	100	125*	44	74	100	125	38	64	86	108
AC-60	34	58	79	99	25	43	59	74	21	36	50	62	18	31	42	52	16	27	38	47
AC-80	50	87	119	150	40	69	94	117	34	59	80	100	30	52	71	89	28	47	65	82
AC-100	81	138	190	235	61	105	142	177	51	87	120	150	43	75	102	127	40	69	94	116
AC-110	92	160	220	270	73	125	172	215	63	110	150	187	55	95	130	160	50	86	120	148
AC-120	160	275	380	425*	120	207	285	355	100	175	240	300	84	145	204	250	78	135	185	231
AC-130	184	318	440	480*	145	250	345	430	125	217	300	375	110	190	257	320	100	175	240	300
AC-140	210	384	520	605	175	375	430	500	160	300	400	464	135	250	340	396	125	235	305	355
AC-150	355	650	890	1025	308	560	760	880	290	545	725	840	245	450	605	701	225	410	540	625
AC-160	480	871	1178	1360	415	754	1020	1180	390	712	950	1100	320	588	785	910	280	520	690	780
AC-170	600	1090	1475	1710	520	950	1290	1460	490	900	1200	1380	405	735	980	1130	355	650	865	990
AC-180	790	1440	1950	2260	710	1290	1720	1950	660	1200	1600	1860	530	965	1290	1480	460	840	1135	1300
AC-190	980	1790	2420	2800	870	1580	2140	2460	820	1490	2000	2300	660	1210	1595	1840	572	1040	1400	1610
AC-200	1220	2220	3000	3470	1090	1980	2680	3100	1035	1880	2500	2870	784	1426	1980	2270	705	1290	1725	1980
AC-210	1450	2650	3580	4120	1295	2360	3200	3710	1243	2260	3000	3450	985	1794	2360	2715	840	1530	2040	2350
AC-220	1680	3064	4140	4800	1530	2785	3760	4320	1460	2660	3500	4015	1150	2090	2760	3200	950	1740	2350	2700

Capacities based on operating pressures of 80 PSIG to 125 PSIG. For capacities at pressures out of this range, consult factory. Maximum operating pressure: 250 PSIG. Maximum operating temperature: 350°F. Pressure drop less than 3 PSI at 80-125 PSIG. *Maximum flow for 3 PSI pressure drop.

Sizing instructions:

1. Determine inlet temperature to aftercooler.
2. Determine desired outlet temperature. (Aftercooler outlet temperature = ambient temp. + approach)
3. Determine needed approach. (Approach = desired outlet temp. - ambient temp.)
4. Find flow (SCFM) under column of correct inlet and approach temperatures and read left for model number.

FEATURES

Horizontal or vertical flow directions

Galvanized steel cabinet

Open vented motor

Pressure drop less than 3 PSI at 80 to 125 PSIG



BENEFITS OF AFTER-COOLERS

Lower temperature // lower dew point // higher dryer efficiency vanairsystems.com

STANDARD EQUIPMENT

Models AC-10 through AC-40

- Ambient air flow: horizontal or vertical
- Floor or suspended mounting
- Steel Cabinet with baked enamel finish
- Copper Tubed, aluminum finned core
- Zinc chromate-plated steel fan guard
- Open vented motor with thermal overload
- NEMA frame: custom

Models AC-60 through AC-130

- Ambient air flow: horizontal
- Floor or suspended mounting
- Galvanized steel cabinet
- Copper tube core with aluminum fins
- Heavy gauge aluminum fan with steel hub
- Steel fan guard with baked enamel finish
- Open vented motor
- NEMA frame: custom on 115-1-60 ODP models, NEMA 48 on others
- Thermal overload on 115-1-60 ODP model only

Models AC-140 through AC-220

- Ambient air flow: vertical
- Steel legs with baked enamel finish
- Aluminum core
- Aluminum fan hub with polypropylene blades
- Painted steel fan shroud
- Steel fan guard with baked enamel finish
- TEFC motor
- NEMA frame: 56C on models AC-140-150; 145TC on AC-160; 182TC or 184TC on AC-170-180; 213TC on AC-190-200; 215TC on AC-210-220

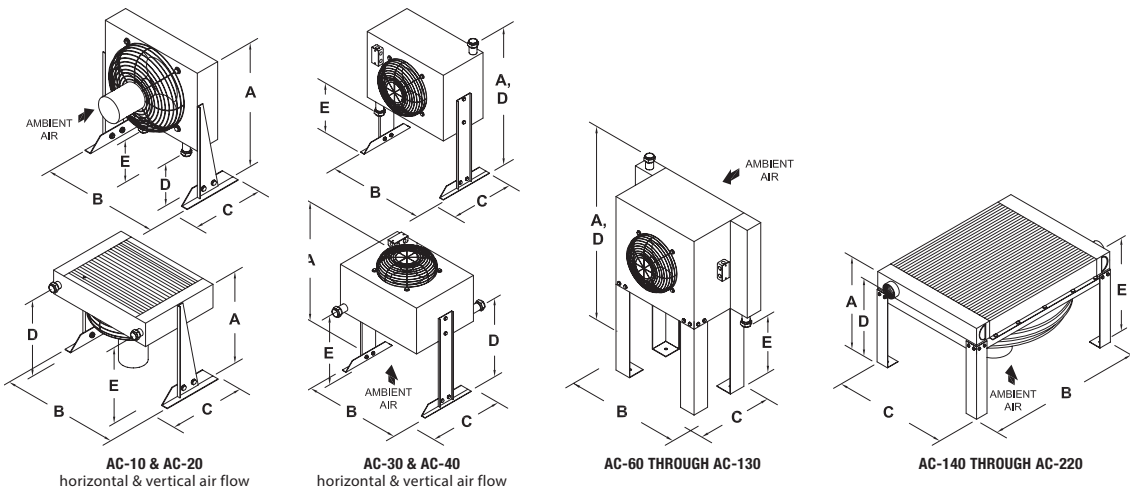
OPTIONAL EQUIPMENT

- Flex hose
- Moisture separator
- Automatic float drain
- TEFC motor on models AC-60 through AC-130
- Air motors on AC-140 through AC-220
- Low temperature kits: Shut off fan(s) at 35°F outlet temperature.

DIMENSIONS & SPECIFICATIONS

Model No.	A		B		C		D		E		In/Out Conn.	Motor HP	Voltage Options	AC Wt.	Separator			Float Drain			Flex Hose					
	in	cm	in	cm	in	cm	in	cm	in	cm					model	lbs	kg	I/O conn	model	lbs	kg	model	in	cm	lbs	kg
AC-10 (H)	22	56	20	51	12	31	8	21	8	21	1/2" NPT	1/12	1	25	S-5-M ³	2.6	2	1/2	FD-1	2	1	FH-1/2	10	26	2	6
AC-10 (V)	16	41	20	51	14	36	15	39	15	39	1/2" NPT	1/12	1	25	S-5-M ³	2.6	2	1/2	FD-1	2	1	FH-1/2	10	26	2	6
AC-20 (H)	22	56	20	51	12	31	8	21	8	21	1/2" NPT	1/12	1	27	S-5-M ³	2.6	2	1/2	FD-1	2	1	FH-1/2	10	26	2	6
AC-20 (V)	16	41	20	51	14	36	15	39	15	39	1/2" NPT	1/12	1	27	S-5-M ³	2.6	2	1/2	FD-1	2	1	FH-1/2	10	26	2	6
AC-30 (H)	42	107	26	67	15	39	42	107	19	49	1" NPT	1/12	1	61	S-10-M ³	6	3	1	FD-1	2	1	FH-1	12	31	2	6
AC-30 (V)	40	102	26	67	23	59	26	67	26	67	1" NPT	1/12	1	61	S-10-M ³	6	3	1	FD-1	2	1	FH-1	12	31	2	6
AC-40 (H)	42	107	26	67	15	39	42	107	19	49	1" 1/2" NPT	1/12	1	67	S-10-M ³	6	3	1	FD-1	2	1	FH-1 1/2	16	41	3	8
AC-40 (V)	40	102	26	67	23	59	26	67	26	67	1" 1/2" NPT	1/12	1	67	S-10-M ³	6	3	1	FD-1	2	1	FH-1 1/2	16	41	3	8
AC-60	51	130	31	79	18	46	51	130	22	56	1" NPT	1/4	1,2,3,4,5	110	S-10-M ³	6	3	1	FD-1	2	1	FH-1	12	31	2	6
AC-80	51	130	31	79	18	46	51	130	22	56	1 1/2" NPT	1/4	1,2,3,4,5	120	S-10-M ³	6	3	1	FD-1	2	1	FH-1 1/2	16	41	3	8
AC-100	51	130	44	112	18	46	51	130	22	56	1 1/2" NPT	1/4	1,2,3,4,5	140	S-20-M	4.8	3	1	FD-1	2	1	FH-1 1/2	16	41	3	8
AC-110	51	130	44	112	18	46	51	130	22	56	1 1/2" NPT	1/4	1,2,3,4,5	145	S-20-M	4.8	3	1	FD-1	2	1	FH-1 1/2	16	41	3	8
AC-120	54	138	48	122	18	46	54	138	22	56	2" NPT	1/4 (2)	1,2,3,4,5	200	S-30-M	11.2	6	1 1/2	FD-1	2	1	FH-2	18	46	4.5	12
AC-130	60	153	52	133	19	49	60	153	22	56	2" NPT	1/4 (2)	1,2,3,4,5	300	S-30-M	11.2	6	1 1/2	FD-1	2	1	FH-2	18	46	4.5	12
AC-140	34	87	26	67	19	49	32	82	32	82	2" NPT	1	6,7,8 ²	120	S-60-M	11.2	6	2	FD-1	2	1	FH-2	18	46	4.5	12
AC-150	34	87	34	87	24	61	32	82	32	82	2" NPT	1 1/2	6,7,8 ²	170	S-60-M	11.2	6	2	FD-1	2	1	FH-2	18	46	4.5	12
AC-160	36	92	41	105	28	72	33	84	33	84	3" NPT	1 1/2	6,7,8 ²	330	S-170-M	22	10	3	FD-2 ⁵	5	3	FH-3	22	56	12.5	32
AC-170	36	92	44	112	28	72	33	84	33	84	3" NPT	5,3	7,8 ²	450	S-170-M	22	10	3	FD-2 ⁵	5	3	FH-3	22	56	12.5	32
AC-180	36	92	44	112	36	92	33	84	33	84	3" NPT	5	7,8 ²	515	S-170-M	22	10	3	FD-2 ⁵	5	3	FH-3	22	56	12.5	32
AC-190	36	92	54	138	39	100	33	84	33	84	4" NPT	7 1/2	7,8 ²	600	S-260-M ⁴	85	39	4	FD-2 ⁵	5	3	FH-4	24	61	14.5	37
AC-200	36	92	52	133	45	115	33	84	33	84	4" NPT	7 1/2	7,8 ²	625	S-260-M ⁴	85	39	4	FD-2 ⁵	5	3	FH-4	24	61	14.5	37
AC-210	36	92	54	138	54	138	33	84	33	84	4" NPT	10	7,8 ²	645	S-260-M ⁴	85	39	4	FD-2 ⁵	5	3	FH-4	24	61	14.5	37
AC-220	36	92	54	138	58	148	33	84	33	84	4" NPT	10	7,8 ²	750	S-260-M ⁴	85	39	4	FD-2	5	3	FH-4	24	61	14.5	37

¹Customer-mounted legs may be positioned for vertical or horizontal air flow. ²Request drawing for specifications with voltage option 8 (air motor). ³Separator models S-5-M and S-10-M also available with automatic float drain as S-5-AD and S-10-AD. ⁴Separator model S-260-M also available with 4" FLG connections as S-260-4F. ⁵Drain model FD-1 may be used for flows <1000 cfm.



VOLTAGE OPTIONS

To order, add the corresponding number of the desired voltage to the model number:

- 1 = 115-1-60 ODP
- 2 = 115-1-60 TEFC
- 3 = 230-1-60 TEFC
- 4 = 230-3-60 TEFC
- 5 = 460-3-60 TEFC
- 6 = 115/230-1-60 TEFC
- 7 = 230/460-3-60 TEFC
- 8 = Air motor

2950 Mechanic Street, Lake City, PA 16423, USA | Toll Free Phone 800-840-9906 | Corporate Fax 814-774-0778 | Order Entry Fax 814-774-3482

Distributed By:

