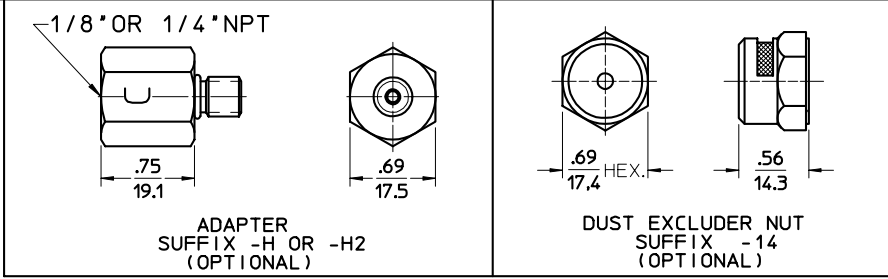
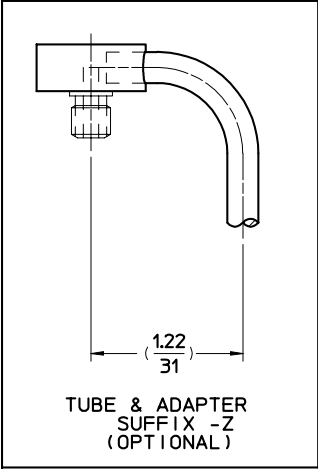
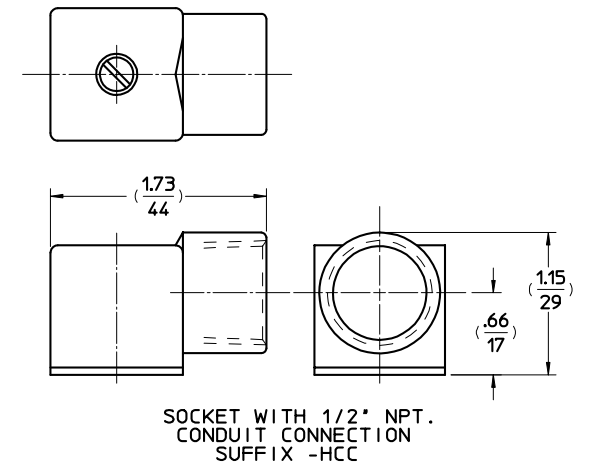
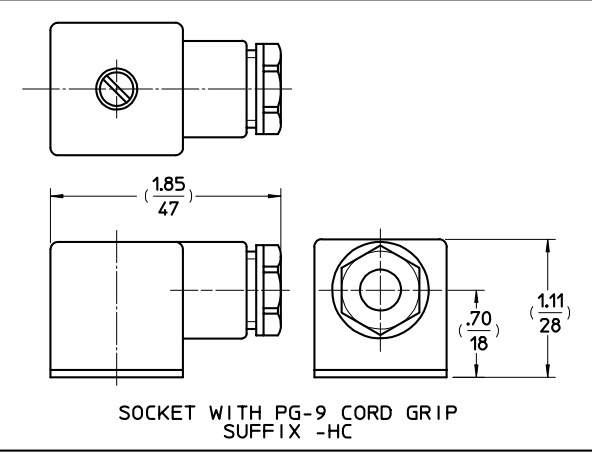
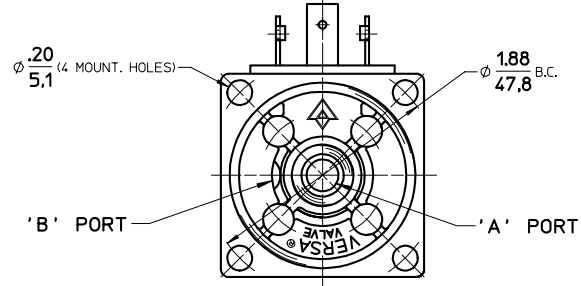
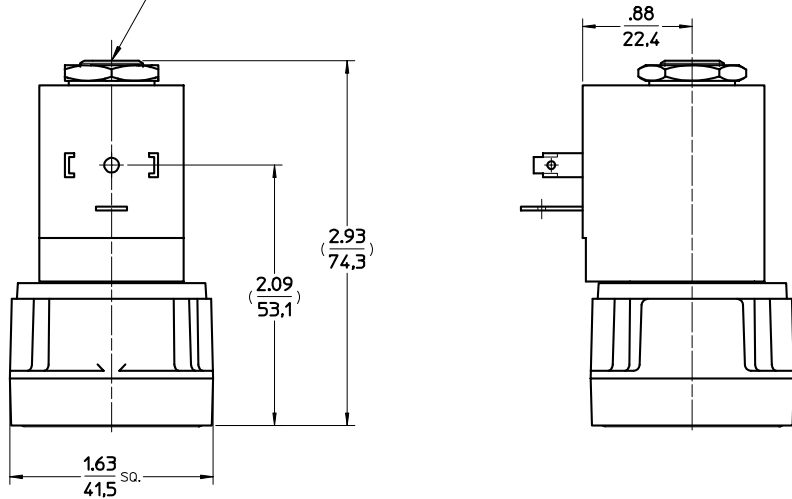


DWG. NO.
GE2-0030



5/16-18 UNC-2B THREADED SOLENOID NORMALLY OPEN PORT FOR 2-WAY & 3-WAY OR EXHAUST PORT FOR 3-WAY, 7-WAY & 8-WAY VALVES. THIS PORT IS NOT SUPPLIED FOR NORMALLY CLOSED 2-WAY VALVES.



IN
MM

NOTES: S.A.E. PORT MARKINGS SHOWN. I.S.O. FORMAT USED ON METRIC PORTED VALVES.

| REV | DATE | DESCRIPTION | BY | APP'D |
|----------------|-------------|-----------------|------------|------------|
| B | JT 2-8-05 | UPDATED DRAWING | | 12945 |
| | NG 2-22-05 | | BN 2-23-05 | |
| LTR | REVD/CKD BY | DESCRIPTION | EWB | NO/APPD BY |
| REVISION LEVEL | | | | |

| DRAWN BY | CHECKED BY | ENG APP'D | ORIG EWR | TITLE |
|------------|---|-----------|----------|----------------|
| NG 9-27-99 | JMC 5-2-00 | BN 5-3-00 | 9976A | VALVE ASSEMBLY |
| MATL | SCALE | NEXT ASSY | DWG SIZE | |
| | 1:1 | | B | |
| HARDNESS | UNLESS OTHERWISE SPECIFIED | | | |
| | 2 PLACE DECIMAL ±.010 ANGULAR DIMENSIONS ±1/2° | | | |
| | 3 PLACE DECIMAL ±.003 BREAK CORNERS & EDGES .010 | | | |
| | DIA'S ON SAME CENTERLINE CONCENTRIC WITHIN .006 T.I.R. | | | |
| | MACHINED SURFACES FINISHED TO 64 R.M.S. MAX. | | | |
| HEAT TREAT | DO NOT SCALE DRAWING | | | |
| | THIS DRAWING IS CAD GENERATED AND THE PROPERTY OF VERSA PRODUCTS CO. INC. | | | |
| | USE AND/OR REPRODUCTION OF ANY PORTION MUST BE WITH THE APPROVAL OF VERSA | | | |
| DWG. NO. | | | | GE2-0030 |

VERSA VERSA PRODUCTS CO. INC.
PARAMUS N.J., U.S.A.
VERSA BV, NETHERLANDS