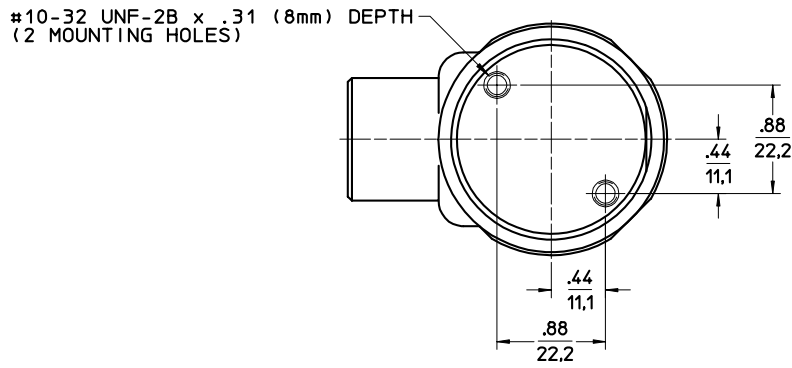
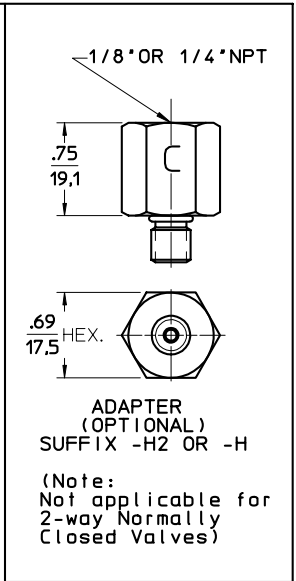
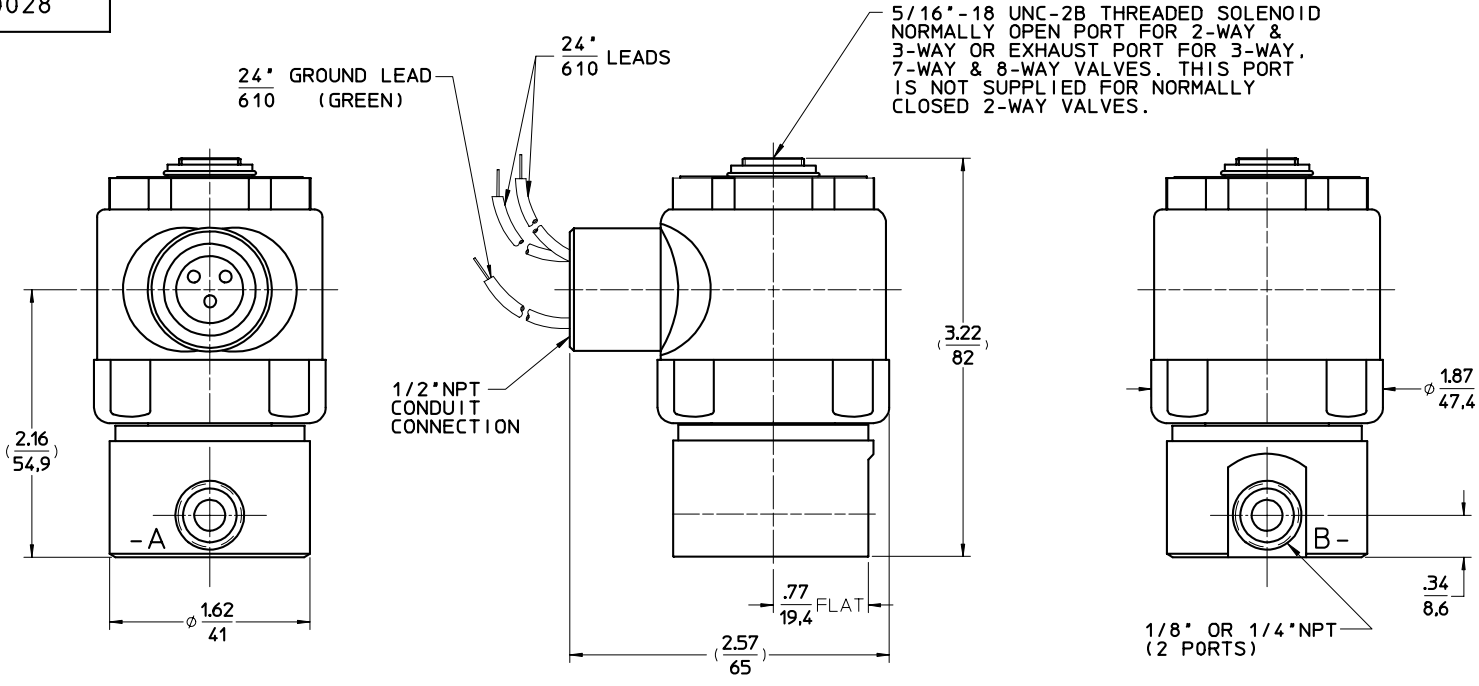


DWG. NO.
GE2-0028



NOTES:
1) S.A.E. PORT MARKINGS SHOWN. I.S.O. FORMAT USED ON METRIC PORTED VALVES.
2) PRODUCT SHOWN WITH STANDARD 24" WIRE LEADS. ADDITIONAL WIRE LEAD LENGTHS AVAILABLE BY SPECIFYING THE APPROPRIATE SUFFIX DETAIL.

B	JT 2-16-05	UPDATED DRAWING	12945
	NG 2-22-05		BN 2-23-05
LTR	REV/D/CKD BY	DESCRIPTION	EWR NO/APPD BY
REVISION LEVEL			

DRAWN BY NG 3-10-98	CHECKED BY JMC 4-1-98	ENG APP'D MJR 4-28-98	ORIG EWR 9976	TITLE VALVE ASSEMBLY
MATL	SCALE 1:1	NEXT ASSY	DWG SIZE B	
HARDNESS	UNLESS OTHERWISE SPECIFIED			
HEAT TREAT	2 PLACE DECIMAL ±.010 ANGULAR DIMENSIONS ±1/2°			
FINAL FINISH	3 PLACE DECIMAL ±.003 BREAK CORNERS & EDGES .010 DIA'S ON SAME CENTERLINE CONCENTRIC WITHIN .006 T.I.R. MACHINED SURFACES. FINISHED TO 64 R.M.S. MAX.			
THIS DRAWING IS CAD GENERATED AND THE PROPERTY OF VERSA PRODUCTS CO., INC. USE AND/OR REPRODUCTION OF ANY PORTION MUST BE WITH THE APPROVAL OF VERSA.				DO NOT SCALE DRAWING
				VERSA PRODUCTS CO., INC. PARAMUS N.J., U.S.A. VERSA BV, NETHERLANDS DWG. NO. GE2-0028

IN
MM