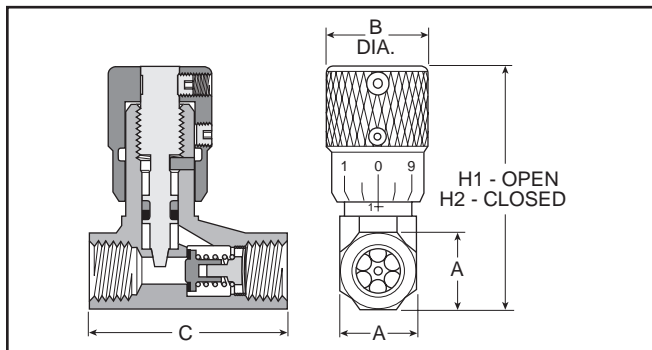
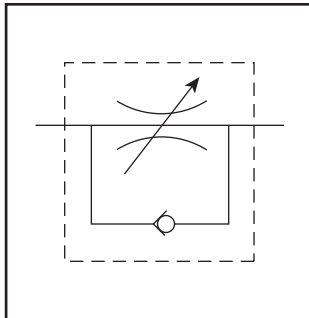


"337" Series



General Information

The "337" Series Flow Control Valves meter flow of air in one direction and allow free flow in the reverse direction. The "337" Series valves are manufactured with a fine tapered needle providing precise flow control, even at low flow rates. The perimeter of the adjustment knob features numerical micrometer position markings providing a visual indication of the setting. Once the desired flow is selected, a set screw can be tightened to maintain the setting. These valves are available with NPTF ports in 1/8", 1/4", 3/8", 1/2", and 3/4" sizes. This series is recommended for pneumatic service.

Valve Specifications

Maximum Operating Pressure250 PSI
 Cracking pressure for return check poppet..... 1 to 2 PSIG
Operating TemperatureStandard: 0° to 180°F*
 Extended Temperature 0° to 300°F* (consult factory)

* Ambient temperatures below freezing require moisture-free air. Ambient temperatures below freezing and above 180° require lubricants especially selected for suitability at these temperatures. Pneumatic valves should be used with filtered and lubricated air.

Component Materials

Body Material Brass
Needle..... Stainless Steel
Check Seal Urethane
Needle Seals Buna N
 (Fluorocarbon optional – consult factory)
Knob Aluminum
Spring Stainless Steel
Retainer Zinc- Plated Steel
Set Screw Steel

Model Selection and Dimensions

Port Size	Model	Flow (SCFM†)		Dimensions					Service Kit
		Adj.	Free Flow	A	B	C	H1	H2	
1/8"	00337 1000	15	32	9/16"	0.75	1.47	2.03	1.81	00337 8000
1/4"	00337 1001	28	75	11/16"	0.75	1.47	2.28	2.03	00337 8001
3/8"	00337 1002	59	139	7/8"	0.88	2.31	2.84	2.53	00337 8002
1/2"	00337 1003	126	183	1-3/16"	1.06	3.25	3.62	3.22	00337 8003
3/4"	00337 1004	140	327	1-3/8"	1.06	3.25	3.72	3.31	00337 8004

† At 100 PSIG inlet pressure with full pressure drop.

Mounting Bracket Model Selection and Dimensions

Port Size	Mounting Bracket Model No.	Dimensions						
		A	B	C	D	E	F	G
1/8"	00337 8100	0.66	0.66	0.505	0.75	1.38	1.88	0.22
1/4"	00337 8101	0.75	0.89	0.505	0.75	1.50	2.00	0.22
3/8"	00337 8102	0.94	1.12	0.630	1.25	1.75	2.31	0.27
1/2"	00337 8103	1.25	1.62	0.755	1.75	2.06	2.62	0.27
3/4"	00337 8104	1.44	1.72	0.755	1.75	2.25	2.81	0.27

