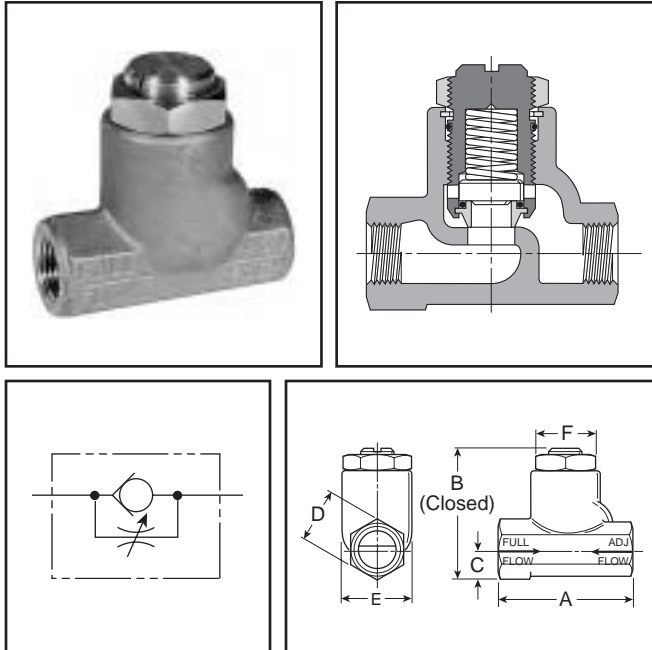


**"3250" Series**



**Application**

The "3250" Series Flow Control Valves are specifically designed to accurately meter the flow of air in one direction and allow free flow in the opposite direction. The "3250" Series Flow Control Valves are also suitable for low pressure hydraulic service.

**Operation**

When air is moving in the free flow direction through the valve, it forces the poppet off its seat and unrestricted air flow is permitted.

When air is moving in the metered direction through the valve, air pressure and the force of the poppet spring causes the poppet to close. Flow must then be through the orifice that is controlled by the metering screw. Opening this screw allows more flow; closing it, less flow.

**Technical Specifications**

- Body..... Brass
- Port Size..... 1/8", 1/4", 3/8", 1/2", 3/4"
- Internal Components.....Brass, Stainless Steel
- Seals..... Buna N
- Operating Temperature .....Standard: 0°F to 180°F  
 Extended Options: 0°F to 300°F
- Operating Pressures:
  - Air.....250 PSIG
  - Hydraulic.....250 PSIG

Valve will operate mounted in any position.  
 Lock nut on metering screw prevents change in setting during operation.

**Flow Rating (SCFM)**

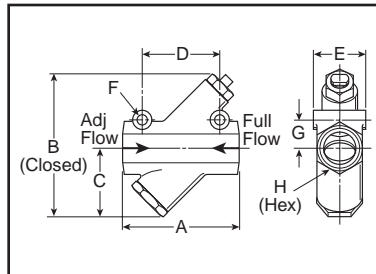
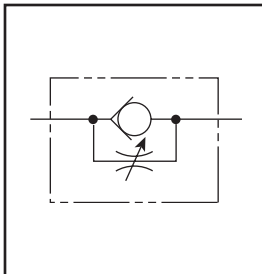
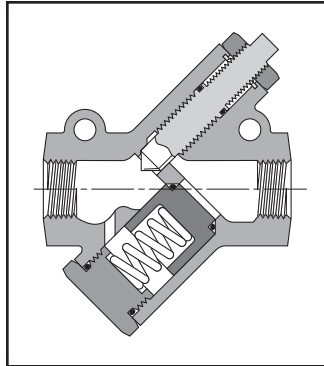
Flow Path	Valve Port Size				
	1/8"	1/4"	3/8"	1/2"	3/4"
Maximum Flow in Metered Direction	70	130	220	295	420
Maximum Flow in Free Flow Direction	60	120	205	346	615

**Model Selection Information and Dimensions**

Model Number	03250 0119		03250 0219		03250 0319		03250 0419		03250 0519	
Port Size NPTF	1/8"		1/4"		3/8"		1/2"		3/4"	
	Inches	mm	Inches	mm	Inches	mm	Inches	mm	Inches	mm
<b>A</b>	1.75	45	2.33	59	2.66	68	3.11	79	3.56	90
<b>B</b>	1.56	40	1.97	50	2.44	62	3.06	78	3.69	94
<b>C</b>	0.37	9	0.44	11	0.56	14	0.75	19	0.88	22
<b>D</b>	0.62	16	0.75	19	1.00	25	1.25	32	1.50	38
<b>E</b>	0.81	21	1.09	28	1.38	35	1.63	41	2.00	51
<b>F</b>	0.68	17	0.94	24	1.19	30	1.38	35	1.75	44



**"3250" Series**



**Application**

These extra large flow control valves have been developed to provide effective flow settings for large diameter cylinders and for other similar air applications. Each valve has a fine screw adjustment allowing precise settings which are secured by a sturdy lock nut.

**Operation**

Large internal port passages coupled with unique soft seal poppet and inline design provide maximum full flow capacity and minimum pressure drop in the free flow direction. Their cone shaped brass metering valve will provide consistent cylinder speed by regulating cylinder exhaust.

**Technical Specifications**

- Body..... Cast Aluminum
- Port Size ..... 1", 1-1/4", 1-1/2"
- Internal Components..... Brass, Aluminum
- Seals ..... Buna N, Urethane
- Spring ..... Stainless Steel
- Operating Temperature:**  
 Standard..... -40°F to 180°F  
 Extended Options..... -40°F to 350°F
- Operating Pressures:**  
 Maximum Air..... 250 PSIG

**Flow Capacity In Full Flow Direction**

Port Size (NPTF)	Max. Flow (Needle Open)		Model Number
	SCFM**	C <sub>v</sub>	
1	1000	12.3	<b>03250 1000</b>
1-1/4	1200	13.8	<b>03250 1250</b>
1-1/2	1800	17.5	<b>03250 1500</b>

\*\* At 100 PSIG inlet pressure with full pressure drop.

**Model Selection Information and Dimensions**

Model Number	03250 1000		03250 1250		03250 1500	
Port Size NPTF	1"		1-1/4"		1-1/2"	
	Inches	mm	Inches	mm	Inches	mm
<b>A</b>	5.00	127	5.00	127	5.88	149
<b>B</b>	6.50	165	6.50	165	8.00	203
<b>C</b>	3.00	76	3.00	76	3.75	95
<b>D</b>	3.25	83	3.25	83	3.50	89
<b>E</b>	2.25	57	2.25	57	2.50	64
<b>F</b>	.39	10	.39	10	.39	10
<b>G</b>	1.31	33	1.31	33	1.50	38
<b>H</b>	2.13	54	2.13	54	2.38	60

**F**