

Breather Vents & "ES" Series



NOTE: Breather vents should not be used as exhaust mufflers.

General Description

These low silhouette versions of the muffler / filter are useful where space is a problem and / or to prevent contamination. Use for vacuum relief or pressure equalization in gear boxes, oil tanks, reservoirs, etc. Non-corrosive.

Specifications

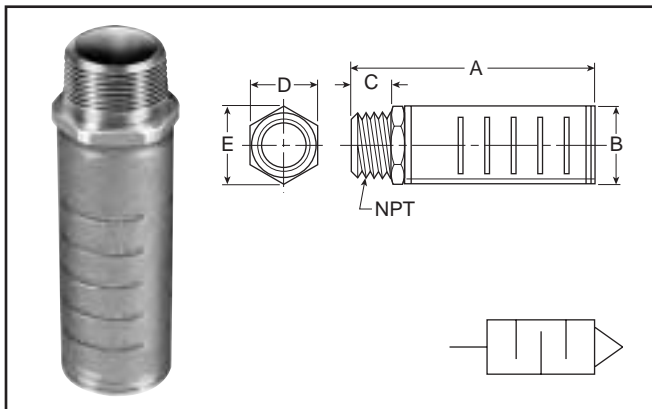
Maximum Operating Pressure..... 250 PSIG (Air)

Operating Temperature 0° to 300°F*

* Ambient temperatures below freezing require moisture-free air. Ambient temperatures below freezing and above 180° require lubricants especially selected for suitability at these temperatures. Pneumatic valves should be used with filtered and lubricated air.

Model Number	Pipe Thread	Overall Length	Hex Size
04702 0002	1/8"	0.44	7/16"
04704 0004	1/4"	0.63	9/16"
04706 0006	3/8"	0.75	11/16"
04708 0008	1/2"	0.88	7/8"
04712 0012	3/4"	1.00	1-1/6"
04716 0016	1"	1.31	1-5/16"
04720 0020	1-1/4"	1.41	1-11/16"
04724 0024	1-1/2"	1.50	2"

"ES" Series – Silencer



General Description

These low silhouette versions of the muffler / filter are useful where space is a problem and / or to prevent contamination. Use for vacuum relief or pressure equalization in gear boxes, oil tanks, reservoirs, etc. Non-corrosive.

The silencer is designed to give superior performance in noise control with a minimum effect on air efficiency. "Trimline" design allows location in the tightest places without extra plumbing and fittings. Fits directly into the exhaust port of more than 90% of present commercial valves. Slotted body permits rapid discharge of air without undesirable back pressure. Unique nylon screen element resists dirt buildup or clogging.

Specifications

Maximum Operating Pressure..... 250 PSIG (Air)

Operating Temperature 0° to 300°F*

* Ambient temperatures below freezing require moisture-free air. Ambient temperatures below freezing and above 180° require lubricants especially selected for suitability at these temperatures. Pneumatic valves should be used with filtered and lubricated air.

Model Numbers		Pipe Thread	Flow SCFM @ 100 PSIG Inlet	Dimensions				
NPTF	BSPT (R)			A	B	C	D	E
ES12MB	ESB12MB	1/8"	115	2.31	0.62	0.31	0.68	5/8"
ES25MB	ESB25MB	1/4"	129	2.41	0.88	0.50	0.97	7/8"
ES37MB	ESB37MB	3/8"	219	3.06	1.25	0.50	1.38	1-1/4"
ES50MB	ESB50MB	1/2"	549	3.19	1.25	0.64	1.38	1-1/4"
ES75MB	ESB75MB	3/4"	893	4.69	1.50	0.66	1.62	1-1/2"
ES100MB	ESB100MB	1"	1,013	4.69	1.50	0.81	1.62	1-1/2"
ES125MB	ESB125MB	1-1/4"	1,486	5.69	2.88	1.25	—	—
ES150MB	ESB150MB	1-1/2"	1,580	5.69	2.88	1.25	—	—