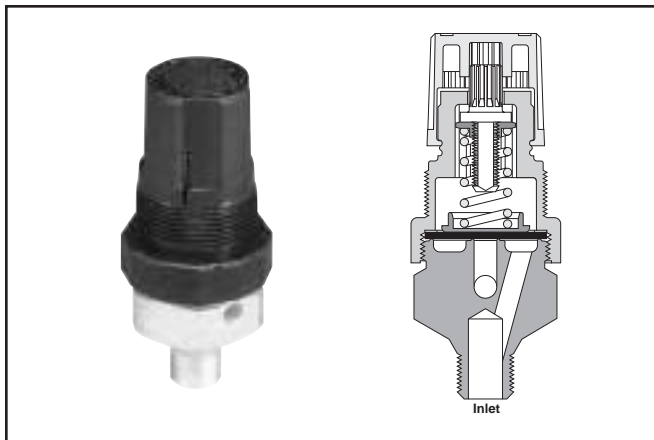
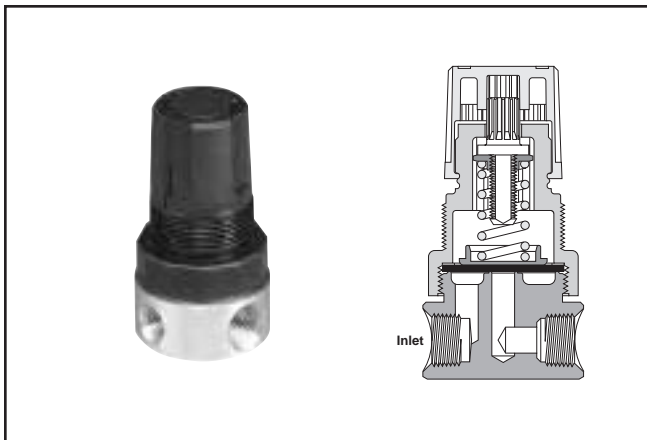


**130 Relief Valve**



**134 Relief Valve**



**Features**

- Compact, sensitive diaphragm-type relief valve.
- Push-pull, locking knob.
- Knob and top work the same as a miniature regulator.
- 130 has lightweight aluminum construction.
- 134 has a brass body, captured exhaust and is an inline type with 3 inlet ports and 1 outlet port.

**Applications**

- Designed to protect against excessive pressure buildup in a pneumatic circuit or system.
- For use where gradual proportional relief is required.

**Operation**

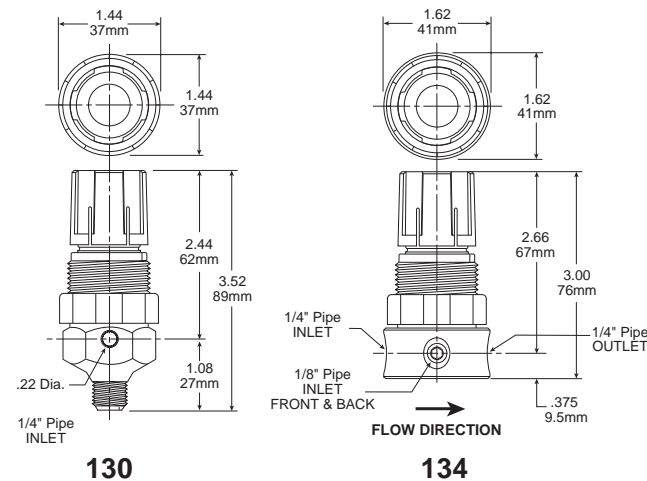
- Turn relief valve knob clockwise for maximum pressure.
- Set pressure going into relief valve at desired pressure.
- Turn relief valve knob counter-clockwise until exhaust starts to bleed.
- Turn relief valve knob clockwise until exhaust stops bleeding. Push to lock knob.

**Ordering Information**

| Relief Valve | Spring Range |           |           |            |
|--------------|--------------|-----------|-----------|------------|
|              | 0-15 PSIG    | 0-25 PSIG | 0-50 PSIG | 0-100 PSIG |
| 130          | 130-02AA     | 130-02A   | 130-02B   | 130-02C    |
|              | 130-02AAP*   | 130-02AP* | 130-02BP* | 130-02CP*  |
| 134          | 134-02AA     | 134-02A   | 134-02B   | 134-02C    |
|              | 134-02AAP*   | 134-02AP* | 134-02BP* | 134-02CP*  |

\* Panel mount nut included.

**Dimensions**



**Relief Valve Kits**

- Bonnet Assembly Kit** ..... CKR364Y
- Panel Mount Nut** ..... R05X51-P

**Specifications**

- Relief Range** ..... 0 to 100 PSIG (0 to 6.9 bar)
- Maximum Inlet Pressure** ..... 300 PSIG (20.7 bar)
- Operating Temperature** ..... 40°F to 125°F (4°C to 52°C)
- Port Threads –**
- 130 ..... 1/4" Pipe Male Only
- 134 ..... Inlet Port – Two 1/8" & One 1/4" Pipe  
 Outlet Port – 1/4" Pipe

**Materials of Construction**

- Adjusting Knob** ..... Polypropylene
- Adjusting Screw** ..... Zinc-plated Steel
- Body** ..... Aluminum (130); Brass (134)
- Diaphragm / Disc** ..... Buna-N
- Nut** ..... Chromated Steel
- Spring Cage** ..... Acetal
- Spring** ..... Zinc-plated Steel

C