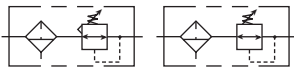
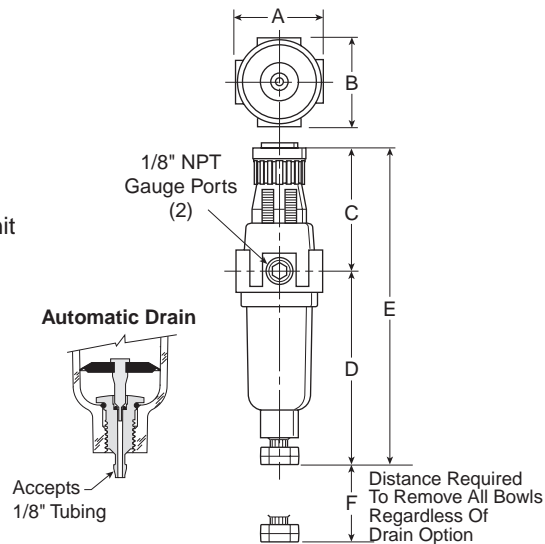


14E Filter / Regulator – Miniature



Features

- Excellent Water Removal Efficiency
- Unbalanced Poppet Standard
- Solid Control Piston for Extended Life
- Space Saving Package Offers Both Filter and Regulator Features in One Integral Unit
- Non-rising Adjustment Knob
- Two Full Flow 1/8" Gauge Ports
- High Flow: 1/8" – 16 SCFM[§]
 1/4" – 18 SCFM[§]



Port Size	NPT	
	Twist Drain	Automatic Pulse Drain
Poly Bowl [‡]		
1/8"	14E01B13F*	14E05B13F*
1/4"	14E11B13F*	14E15B13F*
Metal Bowl		
1/8"	14E03B13F*	14E07B13F*
1/4"	14E13B13F*	14E17B13F*

14E Filter / Regulator Dimensions		
A 1.62 (41)	B 1.58 (40)	C 2.42 (61)
D 3.79 (96)	D[†] 3.64 (92)	E 6.21 (158)
E[†] 6.06 (154)	F 1.60 (41)	

Bold Items are Most Popular.

For other models refer to ordering information below.

NOTE: 1.218 Dia. (31mm) hole required for panel mounting.

[‡] For polycarbonate bowl see Caution on page C2.

[§] SCFM = Standard cubic feet per minute at 100 PSIG inlet, 90 PSIG no flow secondary setting and 10 PSIG pressure drop.

Inches (mm)

[†] With Auto Drain

Ordering Information

BOLD ITEMS ARE MOST POPULAR.

14E	1	1	B	13	F	*			
------------	----------	----------	----------	-----------	----------	----------	--	--	--

Port Size
0 1/8 Inch
1 1/4 Inch

Elements
A 40 Micron
B 5 Micron
Z Adsorber

Relief
F Relieving
G Non-Relieving
H Low Temp. Relieving

Port Type
Blank NPT
1 BSPP
2 BSPT

Preset / Pressure Limited	
Blank	None
XXX*	Preset Pressure
XXX*	Pressure Limited

Bowl Options
Polycarbonate Bowl
1 Twist Drain
5 Automatic Drain
Metal Bowl
3 Twist Drain
7 Automatic Drain

Pressure Range	
Without Gauge	With Gauge
10 30 PSIG	15 30 PSIG
11 60 PSIG	16 60 PSIG
12 15 PSIG	17 15 PSIG
13 125 PSIG	18 125 PSIG

Engineering Level
* Will be Entered at Factory

Options	
Blank	No Options
L [†]	Preset Non-Adjustable
P [†]	Preset Adjustable
S [†]	Pressure Limiter Max. Adjustable
T [†]	Pressure Limiter Max.

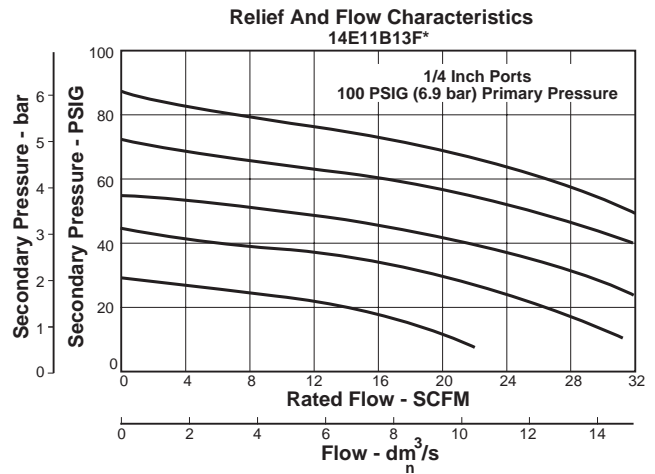
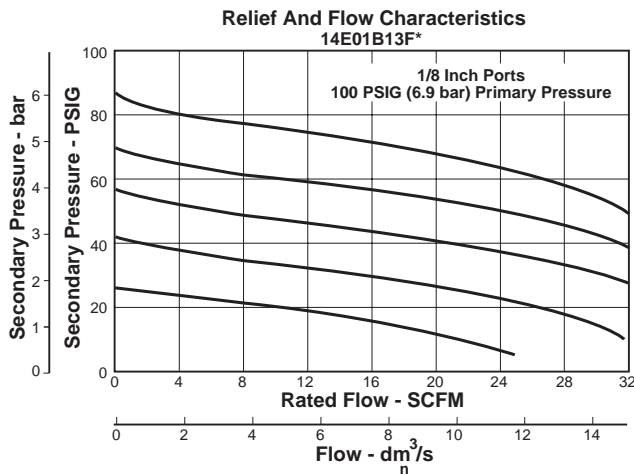
* Available Preset / Pressure Limited Range, 10 to 90 PSIG in 5 PSIG increments. For higher pressures, contact factory.
 (Example: 065 = 65 PSIG)

Spring Type by Preset / Limited Pressure:

For Preset / Limited Pressure 10 to 25 use 30 PSI Spring
 For Preset / Limited Pressure 26 to 50 use 60 PSI Spring
 For Preset / Limited Pressure 51 to 90 use 125 PSI Spring

[†] Inlet Pressure is 100 PSIG. For other pressures, contact factory.

Technical Information



⚠ WARNING
 Product rupture can cause serious injury.
 Do not connect regulator to bottled gas.
 Do not exceed maximum primary pressure rating.

⚠ CAUTION:
REGULATOR PRESSURE ADJUSTMENT – The working range of knob adjustment is designed to permit outlet pressures within their full range. Pressure adjustment beyond this range is also possible because the knob is not a limiting device. This is a common characteristic of most industrial regulators, and limiting devices may be obtained only by special design. For best performance, regulated pressure should always be set by increasing the pressure up to the desired setting.



14E Filter / Regulator Kits & Accessories

- Bowl Kits –**
 - Polycarbonate Bowl – Automatic Drain..... PS408P
 - Twist Drain..... PS404P
 - Metal Bowl – Automatic Drain..... PS451P
 - Twist Drain PS447BP
- Filter Element Kits –**
 - 40 Micron PS401P
 - 5 Micron PS403P
 - Adsorber..... PS452P
- Gauges –**
 - 30 PSIG (0 to 2.1 bar) K4515N18030
 - 60 PSIG (0 to 4.1 bar) K4515N18060
 - 160 PSIG (0 to 11.0 bar) K4515N18160
- Mounting Bracket Kit (Includes Panel Mount Nut)..... PS417BP**
- Panel Mount Nut P78652**
- Poppet / Piston Kits –**
 - Unbalanced Non-Relieving PS428P
 - Unbalanced Relieving PS426P
- Springs –**
 - 1- 15 PSIG Range (Yellow)..... P01176
 - 1- 30 PSIG Range (Black)..... P01175
 - 1- 60 PSIG Range (White)..... P01174
 - 2- 125 PSIG Range (Gold)..... P01173

Specifications

- Automatic Pulse Drain Tube Barb 1/8 Inch**
- Bowl Capacity 1 Ounce**
- Gauge Ports (2) (Can be used for Full Flow)..... 1/8 Inch**
- Port Threads 1/8, 1/4 Inch**

Pressure & Temperature Ratings –

- Polycarbonate Bowl –
 - 0 to 150 PSIG (0 to 10.3 bar), 32°F to 125°F (0°C to 52°C)
- Metal Bowl –
 - 0 to 250 PSIG (0 to 17.2 bar), 32°F to 175°F (0°C to 80°C)

Secondary Pressure Ranges –

- Standard Pressure..... 2 to 125 PSIG (0 to 8.6 bar)
- Medium Pressure 1 to 30 PSIG (0 to 2.1 bar)
- Medium Pressure 1 to 60 PSIG (0 to 4.1 bar)
- Low Pressure..... 1 to 15 PSIG (0 to 1 bar)

Weight 0.4 lb. (0.18 kg)

Materials of Construction

- Adjusting Nut..... Brass**
- Adjusting Stem & Spring Steel**
- Body..... Zinc**
- Bonnet, Knob, Seat, Piston, Holder & Deflector Plastic**
- Bowls Available –**
 - Transparent..... Polycarbonate
 - Metal (Without Sight Gauge) Zinc
- Drains –**
 - Manual – Twist Type
 - Body & Stem Plastic
 - Seals Nitrile
 - Automatic – Pulse Type
 - Piston & Seals Nitrile
 - Stem, Seat, Adaptor & Washers..... Aluminum
- Filter Elements –**
 - 5 Micron (Standard)
 - Plastic –
 - 40 Micron (Optional)..... Plastic
 - Adsorber (Optional)..... Activated Charcoal
- Seals Nitrile**