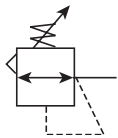
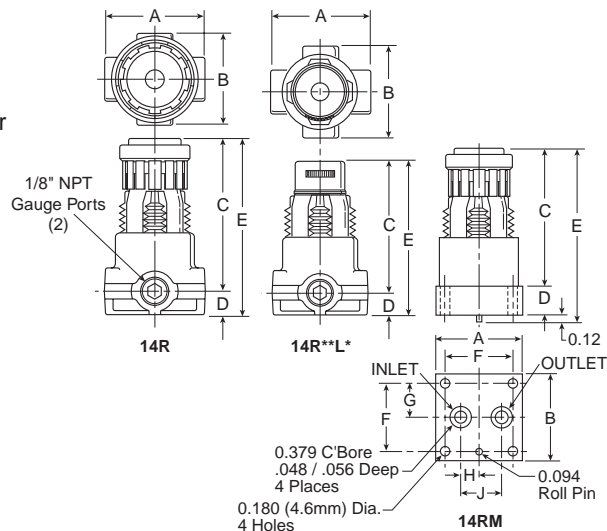


14R Regulators – Miniature



Features

- Unbalanced Poppet Standard
- Solid Control Piston with Lip Seal for Extended Life
- Non-rising Adjusting Knob
- Compact, 2.88 inch (73,2mm) high by 1.65 inch (42mm) wide
- Easily Serviced
- High Flow: 1/8" – 13 SCFM[§]
1/4" – 15 SCFM[§]



Port Size	NPT
Without Gauge	
1/8"	14R013F*
1/4"	14R113F*
With Gauge	
1/8"	14R018F*
1/4"	14R118F*

14R Regulator Dimensions					
	A	B	C	D	E
14R	1.65 (42)	1.56 (40)	2.50 (63,5)	0.38 (10)	2.88 (73)
14R**L*	1.65 (42)	1.56 (40)	2.28 (57,9)	0.38 (10)	2.68 (68)
14RM	A	B	C	D	E
	1.50 (38)	1.50 (38)	2.36 (60)	0.50 (13)	2.98 (73)
	F	G	H	J	
	1.188 (30)	0.594 (15)	0.325 (8)	0.725 (18)	

Bold Items are Most Popular.

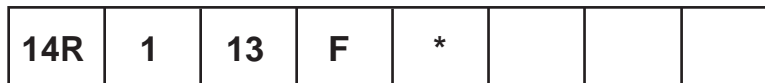
For other models refer to ordering information below.

NOTE: 1.218 Dia. (31mm) hole required for panel mounting.

§ SCFM = Standard cubic feet per minute at 100 PSIG inlet, 90 PSIG no flow secondary setting and 10 PSIG pressure drop.

Inches (mm)

Ordering Information



Port Size
0 1/8 Inch Pipe, 1/8 Inch Gauge Port
1 1/4 Inch Pipe, 1/8 Inch Gauge Port
B 1/4 Inch Pipe, 1/4 Inch Gauge Port
C 1/8 Inch Pipe, No Gauge Port
M Manifold Mounting

Pressure Range			
Without Gauge			
Yellow Knob		Black Knob	
10	30 PSIG	B0	30 PSIG
11	60 PSIG	B1	60 PSIG
12	15 PSIG	B2	15 PSIG
13	125 PSIG	B3	125 PSIG
With Gauge			
15	30 PSIG	B5	30 PSIG
16	60 PSIG	B6	60 PSIG
17	15 PSIG	B7	15 PSIG
18	125 PSIG	B8	125 PSIG

Relief
F Relieving
G Non-Relieving
H Low Temp. Relieving
J Low Temp. Non-Relieving

Port Type
Blank NPT
1 BSPP
2 BSPT

Engineering Level
* Will be Entered at Factory

Options	
Blank	No Options
L [†]	Preset Non-Adjustable
P [†]	Preset Adjustable
S [†]	Pressure Limiter Max. Adjustable
T	Pressure Limiter Max. Non-Adjustable

Preset / Pressure Limited	
Blank	None
XXX*	Preset Pressure
XXX*	Pressure Limited

* Available Preset / Pressure Limited Range, 10 to 90 PSIG in 5 PSIG increments. For higher pressures, contact factory.
 (Example: 065 = 65 PSIG)

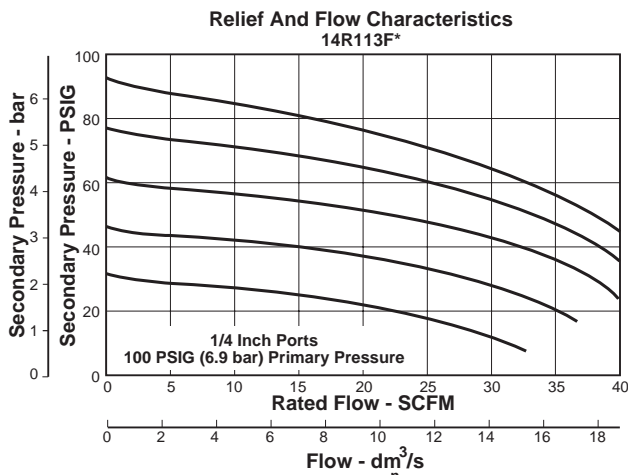
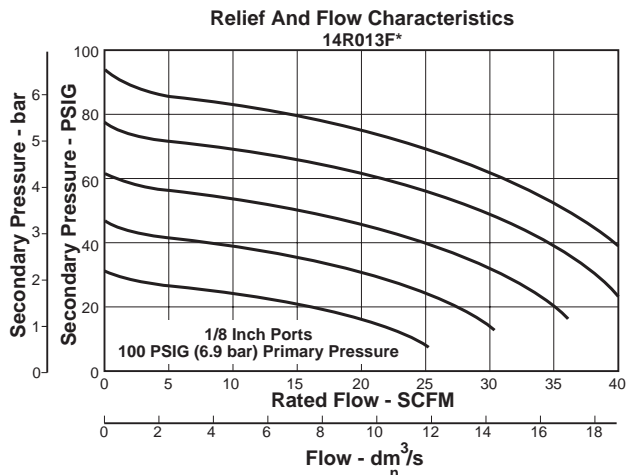
† Inlet Pressure is 100 PSIG. For other pressures, contact factory.

Spring Type by Preset / Limited Pressure:

- For Preset / Limited Pressure 10 to 25 use 30 PSI Spring
- For Preset / Limited Pressure 26 to 50 use 60 PSI Spring
- For Preset / Limited Pressure 51 to 90 use 125 PSI Spring

BOLD ITEMS ARE MOST POPULAR.

Technical Information



⚠ WARNING
Product rupture can cause serious injury.
Do not connect regulator to bottled gas.
Do not exceed maximum primary pressure rating.

⚠ CAUTION:
REGULATOR PRESSURE ADJUSTMENT – The working range of knob adjustment is designed to permit outlet pressures within their full range. Pressure adjustment beyond this range is also possible because the knob is not a limiting device. This is a common characteristic of most industrial regulators, and limiting devices may be obtained only by special design. For best performance, regulated pressure should always be set by increasing the pressure up to the desired setting.

14R Regulator Kits & Accessories

- Bonnet Assembly Kit L01369
- Gauges – 30 PSIG, 1/8" NPT (0 to 2.1 bar)..... K4515N18030
- 60 PSIG, 1/8" NPT (0 to 4.1 bar)..... K4515N18060
- 160 PSIG, 1/8" NPT (0 to 11.0 bar)..... K4515N18160
- 60 PSIG, 1/4" NPT (0 to 4.1 bar)..... K4520N14060
- 160 PSIG, 1/4" NPT (0 to 11.0 bar)..... K4520N14160
- Mounting Bracket Kit (Includes Panel Mount Nut)PS417BP
- Panel Mount Nuts – Plastic P78652
- Metal..... P01531
- Poppet / Piston Kits – Unbalanced Non-Relieving PS428P
- Unbalanced Relieving PS426P
- Springs – 1-15 PSIG Range (Yellow)..... P01176
- 1-30 PSIG Range (Black)..... P01175
- 1-60 PSIG Range (White)..... P01174
- 2-125 PSIG Range (Gold)..... P01173

Specifications

- Gauge Ports (2) 1/8 or 1/4 Inch
(Can be used for Full Flow)
- Port Threads1/8, 1/4 Inch
- Pressure & Temperature Ratings –0 to 300 PSIG (0 to 20.7 bar)
32°F to 125°F (0°C to 52°C)
- Secondary Pressure Ranges –
Standard Pressure..... 2 to 125 PSIG (0 to 8.6 bar)
- Medium Pressure 1 to 60 PSIG (0 to 4.1 bar)
- Medium Pressure 1 to 30 PSIG (0 to 2.1 bar)
- Low Pressure..... 1 to 15 PSIG (0 to 1 bar)
- Weight – 14R, 14RM, 14**L* 0.3 lb. (0.14 kg)

Materials of Construction

- Adjusting Nut..... Brass
- Adjusting Stem & Spring Steel
- BodyZinc
- Bonnet, Seat, Piston & Valve Poppet Plastic
- Seals Nitrile

