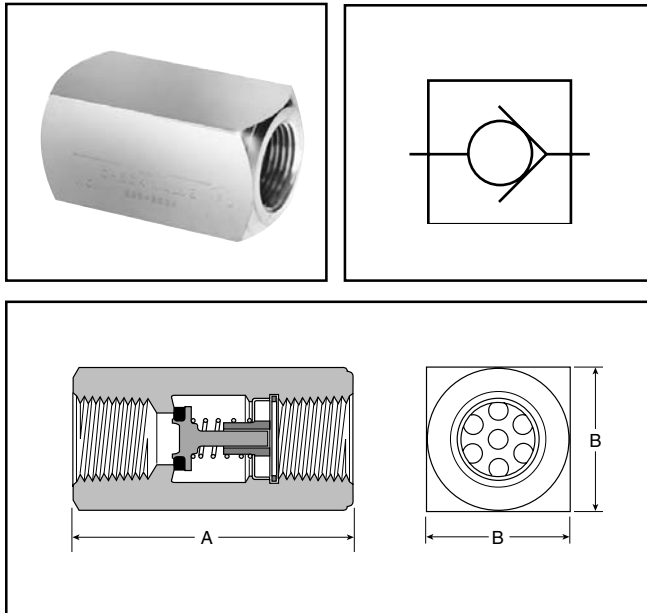


“339” Series – 1/8" to 3/4" Ports



General Information

“339” Series check valves allow free flow in one direction and provide positive checked (zero flow) in the reverse direction. These valves are available with NPTF ports in 1/8", 1/4", 3/8", 1/2" & 3/4" sizes. This series is recommended for pneumatic service.

Valve Specifications

Maximum Operating Pressure
 250 PSIG

Cracking Pressure: 1 to 2 PSIG

Operating Temperature
 Standard: 0° to 180° F*

Extended Temperature Option: 0°F to 300°F*

Component Materials

Body Material: Brass

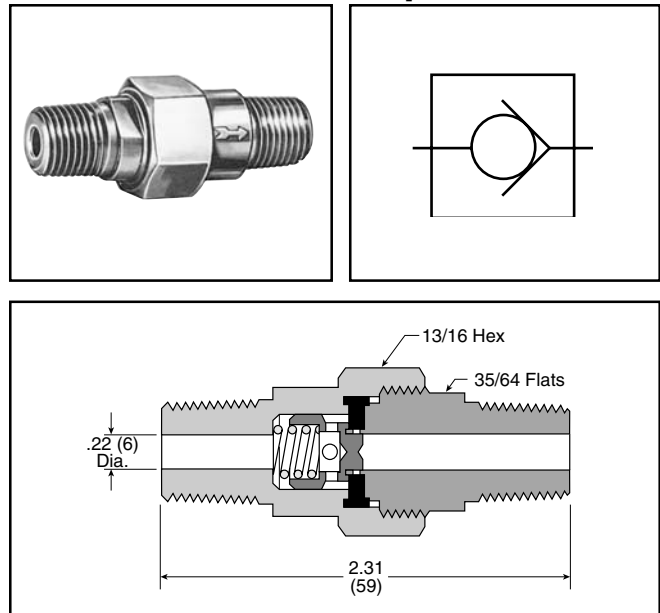
Internal Components: Brass / Stainless Steel / Zinc- Plated Steel

Seals: Urethane (standard),
 Fluorocarbon (optional – consult factory)

Model Selection and Dimensions

Port Size	Model Number	Flow† (SCFM)	Dimensions		Service Kit
			A	B	
1/8"	00339 3000	35	1.22	0.56	00337 8000
1/4"	00339 3001	75	1.34	0.69	00337 8001
3/8"	00339 3002	143	2.00	0.88	00337 8002
1/2"	00339 3003	162	2.56	1.19	00337 8003
3/4"	00339 3004	323	2.66	1.38	00337 8004

“3047” – 1/4" Male Pipe



General Information

“3047” Series check valves allow free flow in one direction and provide positive checked (zero flow) in the reverse direction. This valve is available with a male 1/4" NPTF connection and is recommended for pneumatic service.

Valve Specifications

Maximum Operating Pressure
 250 PSIG

Cracking Pressure: 1 to 2 PSIG

Operating Temperature
 Standard: 0° to 180° F*

* Ambient temperatures below freezing require moisture-free air. Ambient temperatures below freezing and above 180° require lubricants especially selected for suitability at these temperatures. Pneumatic valves should be used with filtered and lubricated air.

Component Materials

Body Material: Brass

Internal Components: Brass/Stainless Steel

Seals: Nitrile

Model Selection

Pipe Thread	Model Number	Flow† (SCFM)
1/4"	03047 0099	30

† At 100 PSIG inlet pressure with full pressure drop.

D