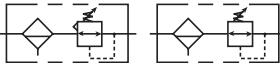


**A**

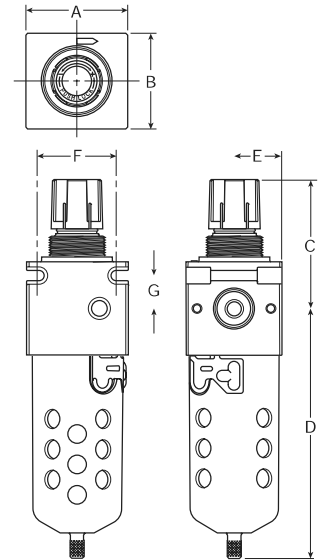
**B75 Integral Filter / Regulator**



**Features**

- Compact Size Allows Greater Design Flexibility
- Connects to Other QUBE Units Using Just Screws & O-rings (Included)
- Integral Mounting Slots Eliminate Need for Mounting Brackets
- Diaphragm Operated Design with Balanced Poppet Design for Quick And Accurate Regulation
- Panel Mountable
- For Applications Requiring Minimum Pressure Drop
- Excellent Water Removal Efficiency
- Unique Deflector Plate that Creates Swirling of the Air Stream Ensuring Maximum Water and Dirt Separation
- Large Filter Element Surface Guarantees Low Pressure Drop and Increased Element Life
- 40 Micron Filter Element Standard, 5 Micron Available
- Transparent Polyurethane Bowl with Bowl Guard as Standard
- Metal Bowl with Wraparound Sight Gauge Optional
- Manual Drain as Standard, Optional Auto Float Drain
- Large Bowl Capacity
- High Flow: 1/4" - 40 SCFM<sup>§</sup>  
 3/8" - 60 SCFM<sup>§</sup>  
 1/2" - 80 SCFM<sup>§</sup>

**Polyurethane Bowls and Sight Gauges Offer Improved Chemical Compatability.**



Port Size	NPT		BSPP	
	Manual Twist Drain	Automatic Float Drain	Manual Twist Drain	Automatic Float Drain
<b>Polyurethane Bowl / Plastic Guard</b>				
1/4"	<b>B75-02BJC</b>	<b>B75-02BJCR</b>	B75G02BJC	B75G02BJCR
3/8"	<b>B75-03BJC</b>	<b>B75-03BJCR</b>	B75G03BJC	B75G03BJCR
1/2"	<b>B75-04BJC</b>	<b>B75-04BJCR</b>	B75G04BJC	B75G04BJCR
<b>Zinc Bowl / Sight Gauge</b>				
1/4"	<b>B75-02WJC</b>	<b>B75-02WJCR</b>	B75G02WJC	B75G02WJCR
3/8"	<b>B75-03WJC</b>	<b>B75-03WJCR</b>	B75G03WJC	B75G03WJCR
1/2"	<b>B75-04WJC</b>	<b>B75-04WJCR</b>	B75G04WJC	B75G04WJCR

B75 Integral Filter / Regulator Dimensions						
A	B	C	D	E	F	G
<b>B75-B, B75-D</b>						
2.00 (50.8)	2.00 (50.8)	2.78 (70.6)	5.19 (131.8)	1.00 (25.4)	1.64 (41.7)	0.70 (17.9)
<b>B75-W</b>						
2.00 (50.8)	2.00 (50.8)	2.78 (70.6)	5.44 (138.2)	1.00 (25.4)	1.64 (41.7)	0.70 (17.9)

Inches  
(mm)

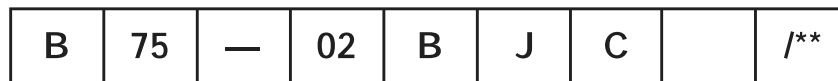
NOTE: 1.25 Dia. (32mm) hole required for panel mounting.

**Bold Items are Most Popular.**

For other models refer to ordering information below.

<sup>§</sup> SCFM = Standard Cubic Feet Per Minute at 100 PSIG Inlet, 75 PSIG No Flow Secondary Setting, and 20 PSIG Pressure Drop with 20 Micron Element.

**Ordering Information**



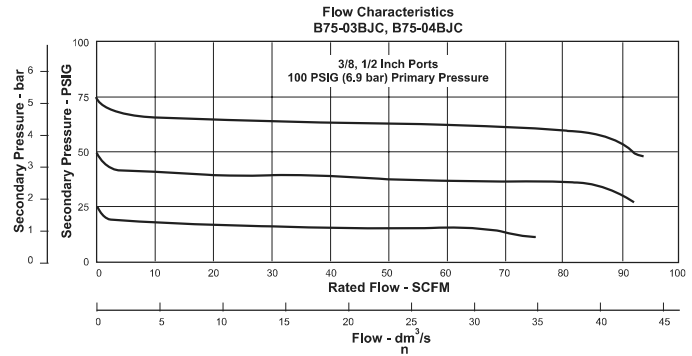
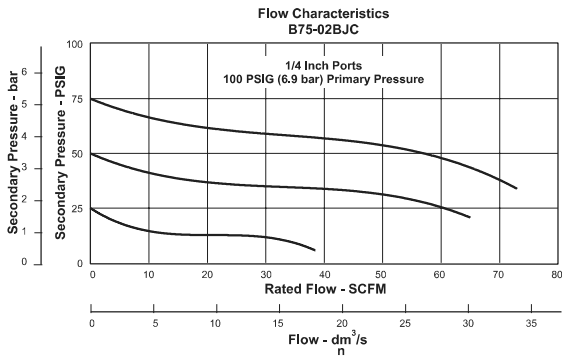
Port Threads	Port Size	Bowl	Element	Reduced Pressure Range	Options	Engineering Change Designator
- NPT G BSPP	02 1/4" 03 3/8" 04 1/2"	B Transparent with Plastic Bowl Guard D Metal without Sight Gauge W Metal with Wraparound Sight Gauge	G 5 Micron J 40 Micron	A 0-25 PSIG B 0-60 PSIG C 0-125 PSIG	G Gauge K Non-relieving P Panel Mount Nut R Automatic Float Drain T Tamperproof Adjustment U* Overnight Drain (Dump Valve)	Will be entered at factory.

**BOLD ITEMS ARE MOST POPULAR.**

\*B & D Bowls only



**Technical Information**



**⚠ WARNING**

Product rupture can cause serious injury.  
 Do not connect regulator to bottled gas.  
 Do not exceed maximum primary pressure rating.

**⚠ CAUTION:**

**REGULATOR PRESSURE ADJUSTMENT** – The working range of knob adjustment is designed to permit outlet pressures within their full range. Pressure adjustment beyond this range is also possible because the knob is not a limiting device. This is a common characteristic of most industrial regulators, and limiting devices may be obtained only by special design. For best performance, regulated pressure should always be set by increasing the pressure up to the desired setting.

**B75 Integral Filter / Regulator Kits & Accessories**

- Bowl Kits –**  
 Polyurethane (B)..... BKF55B  
 Zinc (D)..... BKF55D  
 Zinc (W) Wraparound Sight Gauge ..... BKF55W
- Cage Kits –**  
 Glass-Filled Acetal Plastic..... CKR75  
 Tamperproof..... CKR75T
- Control Knob ..... R35-0545P**
- Drain Kits –**  
 Manual Twist Drain ..... SA600Y7-1  
 Internal Auto (Max. Pressure: 175 PSIG) (B & D)..... SA602MD  
 Internal Auto (Max. Pressure: 175 PSIG) (W)..... SAF105MD  
 Semi-Automatic "Overnight" Drain..... SA602A7  
 (Drains automatically under zero pressure)
- Filter Element Kits –**  
 5 Micron (All) ..... EK55G  
 40 Micron (All) ..... EK55J
- Gauges –**  
 1-1/2" Dial Size, 1/8" Back Connection  
 0 to 60 PSIG (0 to 4 bar) ..... K4515N18060  
 1-1/2" Dial Size, 1/8" Back Connection  
 0 to 160 PSIG (0 to 11 bar) ..... K4515N18160
- Panel Mounting Bracket Kit ..... SA161X57**
- Face Mounting Bracket Kit (See Page A49) ..... SAR75Y57**
- Panel Mount Nut –**  
 Plastic..... R05X51-P  
 Aluminum..... R05X51-A
- Repair Kits –**  
 Automatic Float Drain (Maximum Pressure - 175 PSIG).... RK602MD  
 Deflector, Element Retainer (All) ..... RKF55  
 Non-Relieving Diaphragm, Valve Assembly ..... RKR75K  
 Relieving Diaphragm, Valve Assembly ..... RKR75

**Specifications**

- Bowl Capacity ..... 3.8 Ounce**
- Gauge Ports (2) ..... 1/8 Inch**
- Port Threads ..... 1/4, 3/8 & 1/2 Inch**
- Pressure & Temperature Ratings –**  
 Polyurethane Bowl..... 0 to 150 PSIG (0 to 10.2 bar)  
 40°F to 125°F (4.4°C to 52°C)  
 Zinc Bowl ..... 0 to 300 PSIG (0 to 20.4 bar)  
 40°F to 150°F (4.4°C to 65.6°C)  
 With Automatic Float Drain..... 175 PSIG Max. Press. (11.9 bar)  
 40°F to 125°F (4.4°C to 52°C)  
 Zinc Bowl w/ Sight Gauge ..... 0 to 250 PSIG (0 to 17.2 bar)  
 40°F to 150°F (4.4°C to 65.6°C)  
 With Automatic Float Drain..... 175 PSIG Max. Press. (11.9 bar)  
 40°F to 125°F (4.4°C to 52°C)
- Weight –**  
 Polyurethane Bowl..... 1.50 lb. (0.7 kg) / Unit  
 18 lb. (8.2 kg) / 12-Unit Master Pack  
 Zinc Bowl ..... 1.75 lb. (0.8 kg) / Unit  
 21 lb. (9.5 kg) / 12-Unit Master Pack  
 Zinc Bowl W/ Sight Gauge..... 1.85 lb. (0.8 kg) / Unit  
 22 lb. (10 kg) / 12-Unit Master Pack

**Materials of Construction**

- Body..... Zinc**
- Bowls ..... Polyurethane  
 Metal (Zinc)**
- Cage ..... Glass-Filled Acetal Plastic**
- Drains ..... Brass**
- Filter Elements..... Polyethylene**
- Seals ..... Nitrile**

