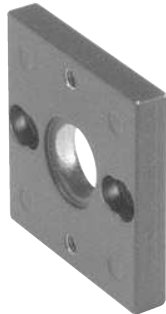


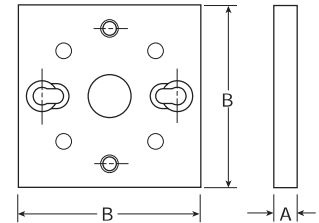
Direction Plates



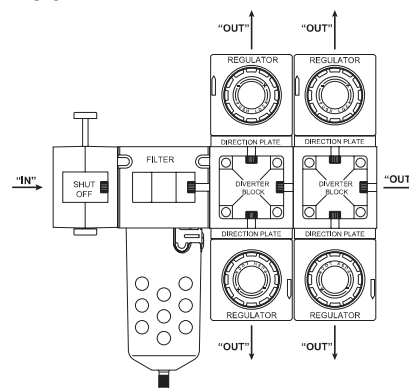
DP75

Features

- Designed to Allow 90° Rotation of QUBE Components Allowing Manifolding of Units and Resulting in Great Space and Cost Savings
- Also Used to Mount Units from Different Series to One Another



Application



Part Number	A	B
DP35	0.20 (5.1)	1.59 (40.5)
DP75	0.30 (7.6)	2.00 (50.8)
DP105	0.34 (8.6)	2.69 (68.3)

Inches
(mm)

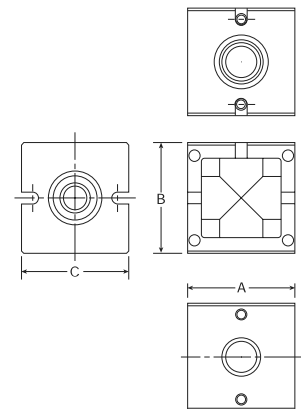
Diverter Blocks



DK7510-3-2

Features

- Designed to Mount in a Variety of Configurations with the Capability of having Branch Line Components Mounted Directly, Giving Multiple Air Lines with Minimal Pressure Drop
- Use Untapped Blocks within Components, Either at the Beginning or End of System



Part Number	Application
DK3510-3-2	Tapped 3/8" In & Out, Two 1/4" Branches
DK7510	In & Out Not Tapped, Two 1/4" Branches
DK7510-3-2	Tapped 3/8" In & Out, Two 1/4" Branches
DK7510-3-3	Tapped 3/8" In & Out, Two 3/8" Branches
DK1051-6-4	Tapped 3/4" In & Out, Two 1/2" Branches

Part Number	A	B	C	D	E
DK3510-3-2	1.93 (49)	1.69 (42.9)	1.69 (42.9)	3/8" NPT	1/4" NPT
DK3510	2.00 (50.8)	2.00 (50.8)	2.00 (50.8)	N/A	1/4" NPT
DK7510-3-2	2.00 (50.8)	2.00 (50.8)	2.00 (50.8))	3/8" NPT	1/4" NPT
DK7510-3-3	2.00 (50.8)	2.00 (50.8)	2.00 (50.8)	3/8" NPT	3/8" NPT
DK1051-6-4	2.75 (69.9)	2.69 (68.3)	2.69 (68.3)	3/4" NPT	1/2" NPT

Inches
(mm)