

## Breather Vents & "ES" Series



NOTE: Breather vents should not be used as exhaust mufflers.

### General Description

These low silhouette versions of the muffler / filter are useful where space is a problem and / or to prevent contamination. Use for vacuum relief or pressure equalization in gear boxes, oil tanks, reservoirs, etc. Non-corrosive.

### Specifications

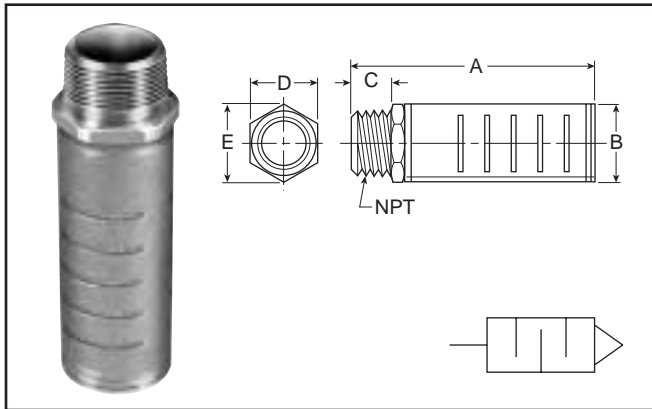
Maximum Operating Pressure..... 250 PSIG (Air)

Operating Temperature ..... 0° to 300°F\*

\* Ambient temperatures below freezing require moisture-free air. Ambient temperatures below freezing and above 180° require lubricants especially selected for suitability at these temperatures. Pneumatic valves should be used with filtered and lubricated air.

Model Number	Pipe Thread	Overall Length	Hex Size
04702 0002	1/8"	0.44	7/16"
04704 0004	1/4"	0.63	9/16"
04706 0006	3/8"	0.75	11/16"
04708 0008	1/2"	0.88	7/8"
04712 0012	3/4"	1.00	1-1/6"
04716 0016	1"	1.31	1-5/16"
04720 0020	1-1/4"	1.41	1-11/16"
04724 0024	1-1/2"	1.50	2"

## "ES" Series – Silencer



### General Description

These low silhouette versions of the muffler / filter are useful where space is a problem and / or to prevent contamination. Use for vacuum relief or pressure equalization in gear boxes, oil tanks, reservoirs, etc. Non-corrosive.

The silencer is designed to give superior performance in noise control with a minimum effect on air efficiency. "Trimline" design allows location in the tightest places without extra plumbing and fittings. Fits directly into the exhaust port of more than 90% of present commercial valves. Slotted body permits rapid discharge of air without undesirable back pressure. Unique nylon screen element resists dirt buildup or clogging.

### Specifications

Maximum Operating Pressure..... 250 PSIG (Air)

Operating Temperature ..... 0° to 300°F\*

\* Ambient temperatures below freezing require moisture-free air. Ambient temperatures below freezing and above 180° require lubricants especially selected for suitability at these temperatures. Pneumatic valves should be used with filtered and lubricated air.

Model Numbers		Pipe Thread	Flow SCFM @ 100 PSIG Inlet	Dimensions				
NPTF	BSPT (R)			A	B	C	D	E
ES12MB	ESB12MB	1/8"	115	2.31	0.62	0.31	0.68	5/8"
ES25MB	ESB25MB	1/4"	129	2.41	0.88	0.50	0.97	7/8"
ES37MB	ESB37MB	3/8"	219	3.06	1.25	0.50	1.38	1-1/4"
ES50MB	ESB50MB	1/2"	549	3.19	1.25	0.64	1.38	1-1/4"
ES75MB	ESB75MB	3/4"	893	4.69	1.50	0.66	1.62	1-1/2"
ES100MB	ESB100MB	1"	1,013	4.69	1.50	0.81	1.62	1-1/2"
ES125MB	ESB125MB	1-1/4"	1,486	5.69	2.88	1.25	—	—
ES150MB	ESB150MB	1-1/2"	1,580	5.69	2.88	1.25	—	—