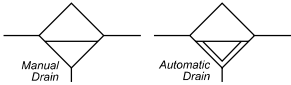
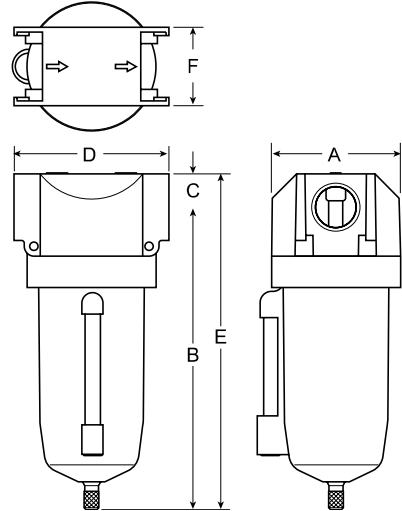


F20 & F21 QIX Particulate & Coalescing Filters



Features

- Unique Interchangeable QIX Inserts Allow One Module to Accommodate 5 Port Sizes 1/4", 3/8" 1/2", 3/4", 1"
- For Heavy Duty Applications with Minimum Pressure Drop Requirement
- Excellent Water Removal Efficiency
- Available in Both Particulate (F20) and Coalescing (F21) Configurations
- Metal Bowl with Sightgauge Standard
- Manual Drain Standard. Automatic Float Drain Optional
- High Flow - 180 SCFM for 3/4" & 1" Sizes (F20) 20 SCFM (F21 Coalescing)



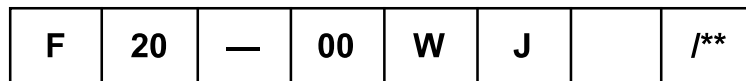
F20 & F21 Filter Dimensions						
A	B	C	D*	D**	E	F
2.90	6.82	.75	3.50	4.50	7.58	1.77
(74)	(173)	(19)	(89)	(114)	(192)	(45)

inches
(mm)

* 1/4 thru 3/4 Inch Port Insert Size

** 1 Inch Port Insert Size

Ordering Information



Port Threads

- NPT
- G* BSPP

* If ordering BSPP Port Inserts Separately - Order "-00" Unit

Port Size

- 00 No Port Inserts
- 02 1/4 Inch
- 03 3/8 Inch
- 04 1/2 Inch
- 06 3/4 Inch
- 08 1 Inch

Elements

- J F20 40 Micron
- G F20 5 Micron
- J* F21 .3 Micron Coalescing

* Only Available with F21

Drains and Options

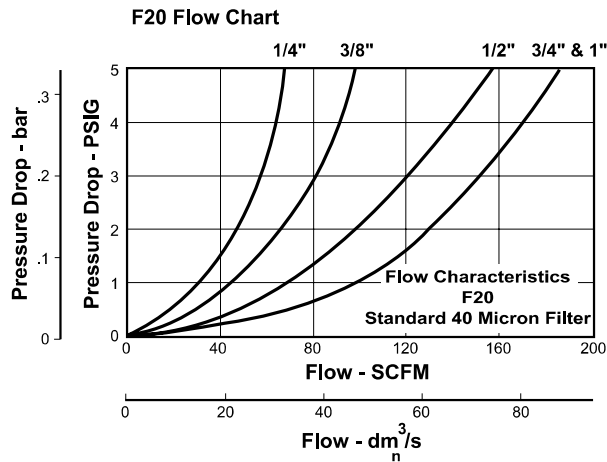
- R Internal Auto Float Drain
- S Automatic Pulse Drain

Engineering Change Designator

Will be entered at factory.

NOTE: BOLD OPTIONS ARE STANDARD.

Technical Information



F21 Flow: 20 SCFM @ 100 PSIG

QIX F20 & F21 Kits & Accessories

- Automatic Float Drain SA602MD
- Automatic Pulse Drain 4212
- Bowl Kit BKF21WA
- Bowl Sightgauge Repair Kit RKB605WB
- Combination Connector IK20CC
(Connects 2 QIX units together)
- Combination Porting Block IK20CP
(same as IK20CC, except with 1/8" top branch outlet)
- Element Kits –**
 - Particulate (F20) 40 micron EKF20A
 - Particulate (F20) 5 micron EKF20VA
 - Coalescing (F21) .01 micron EKF601J
- Mounting brackets (pair)** MK20-0100
(Mounts directly to port inserts)
- Port Insert Kits (includes o-rings & pins) NPT –**
 - 1/4" Port Size IK20Y
 - 3/8" Port Size IK20X
 - 1/2" Port Size IK20A
 - 3/4" Port Size IK20B
 - 1" Port Size IK20C
- Shut-off Valve w/lockout (for inlet) IK20V

Specifications

- Bowl Capacity** 10 oz.
- Filter Element Rating –**
 - "J" (F20 particulate) 40 micron
 - "G" (F20 particulate) 5 Micron
 - "J" (F21 coalescing)01 Micron
- Maximum Pressure** 250 PSIG
 With Autodrain 175 PSIG
- Port Threads / Inserts –**
 - 00 No Port Inserts
 - 02 1/4"
 - 03 3/8"
 - 04 1/2"
 - 06 3/4"
 - 08 1"
- Temperature Range** 40°F to 150°F (4.4°C to 65.6°C)
 With Auto Drain 40°F to 125°F (4.4°C to 52°C)
- Weight** 2.1 lb
 (For total weight add .1 lb for port inserts)

Materials of Construction

- Body** Zinc
- Bowl** Zinc
- Drain** Brass
- Filter Element –**
 - Particulate Polypropylene
 - Coalescing Borosilicate Fibers
- Thread Inserts** Zinc
- Seals** Buna-N
- Sightgauge** Nylon