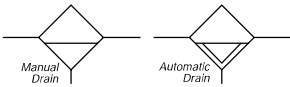


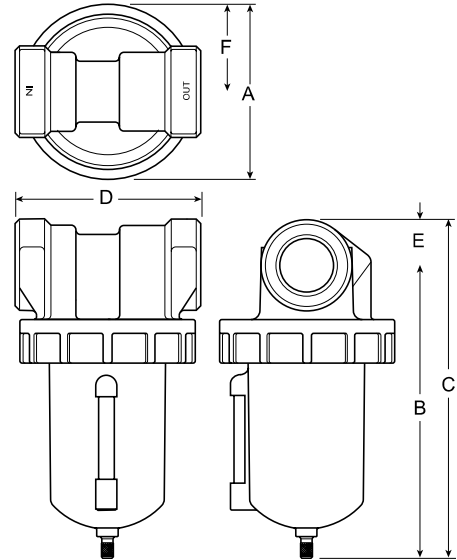
**F602 Standard Filters**



**Features**

- Excellent Water Removal Efficiency
- For Heavy Duty Applications with Minimum Pressure Drop Requirement
- Unique Deflector Plate that Creates Swirling of the Air Stream Ensuring Maximum Water and Dirt Separation
- Large Filter Element Surface Guarantees Low Pressure Drop and Increased Element Life
- 40 Micron Filter Element Standard, 5 Micron Available
- Metal Bowl with Sight Gauge Standard
- Twist Drain as Standard, Optional Auto Drain
- Large Bowl Capacity
- Optional High Capacity Bowl(s) Available
- High Flow: 1-1/4" - 390 SCFM  
 1-1/2" - 450 SCFM<sup>§</sup>

<sup>§</sup> SCFM = Standard cubic feet per minute at 100 PSIG inlet, and 5 PSIG pressure drop with 40 micron element.



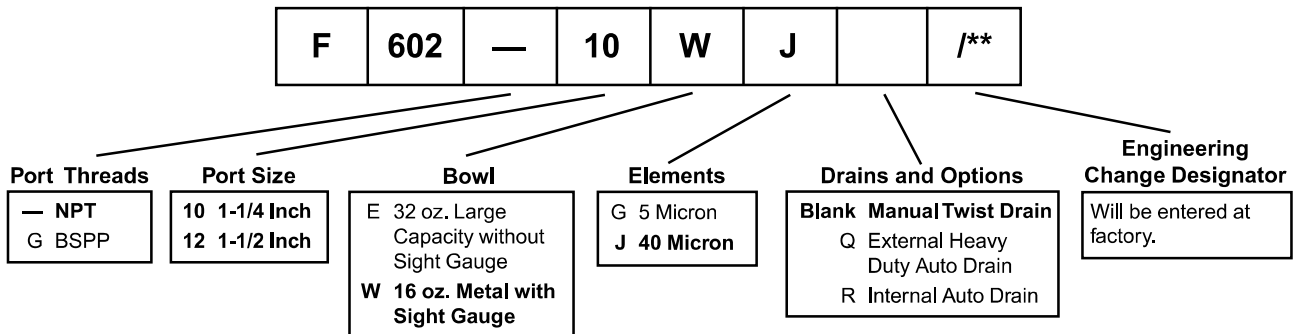
Port Size	NPT		BSPP	
	Manual Twist Drain	Internal Auto Drain	Manual Twist Drain	Internal Auto Drain
<b>Metal Bowl / Sight Gauge</b>				
1-1/4"	<b>F602-10WJ</b>	<b>F602-10WJR</b>	F602G10WJ	F602G10WJR
1-1/2"	<b>F602-12WJ</b>	<b>F602-12WJR</b>	F602G12WJ	F602G12WJR
<b>Aluminum Bowl 32 oz. without Sight Gauge</b>				
1-1/4"	<b>F602-10EJ</b>	<b>F602-10EJR</b>	F602G10EJ	F602G10EJR
1-1/2"	<b>F602-12EJ</b>	<b>F602-12EJR</b>	F602G12EJ	F602G12EJR

F602 Filter Dimensions					
A	B	C	D	E	F
<b>F602-10W, F602-12W</b>					
4.90 (124)	8.18 (208)	9.46 (240)	5.19 (132)	1.28 (32.4)	2.45 (62.2)
<b>F602-10E, F602-12E</b>					
4.90 (124)	11.41 (290)	12.69 (322)	5.19 (132)	1.28 (32.4)	2.45 (62.2)

inches  
(mm)

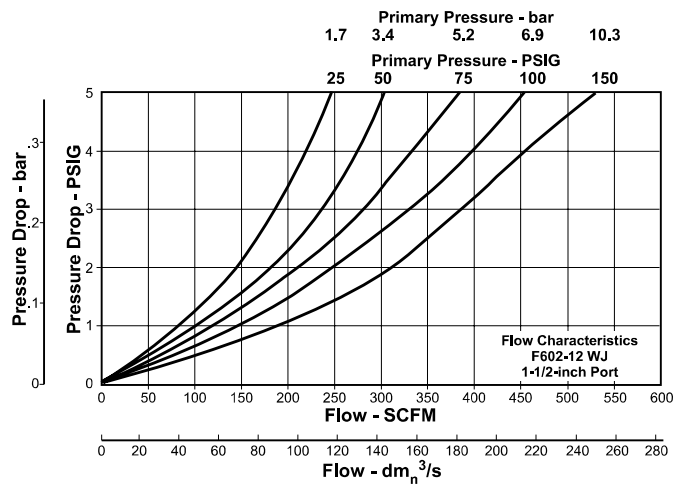
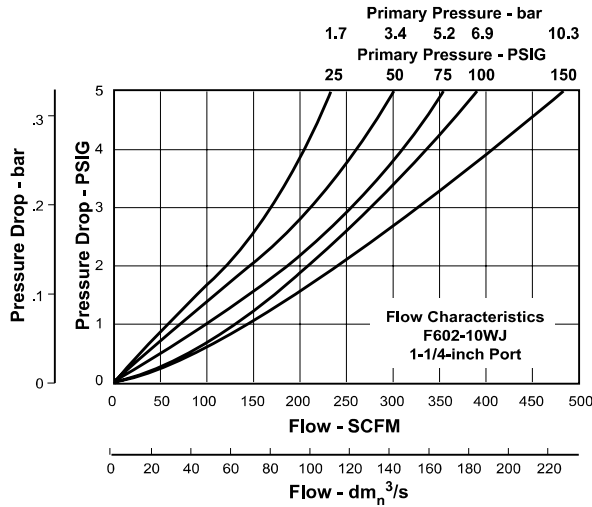
Standard part numbers shown bold.  
 For other models refer to ordering information below.

**Ordering Information**



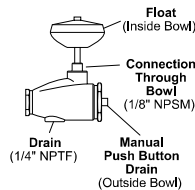
NOTE: BOLD OPTIONS ARE STANDARD.

**Technical Information**



**“Q” Option External Heavy Duty Auto Drain  
 SA602D / SA603D**

For heavy duty applications where the filter is being used to remove large volumes of liquid and/or particulate matter from the airstream, the external automatic drain (“Q” option) should be used.



**F602 Filter Kits & Accessories**

**Bowl Kits –**

- Metal with Sight Gauge (W) ..... BK605WB
- Aluminum (E) ..... BK603B

**Drain Kits –**

- External Auto (W) ..... SA602D
- External Auto (E) ..... SA603D
- Internal Auto (All) ..... SA602MD
- Manual (All) ..... SA600Y7-1
- Semi-Automatic “Overnight” Drain ..... SA602A7  
 (Drains automatically under zero pressure)

**Filter Element Kits –**

- 40 Micron (All) ..... EK602B
- 5 Micron (All) ..... EK602VB

**Repair Kits –**

- Deflector, Baffle Assembly, and Retaining Rod (All) ..... RK602C
- External Auto Drain (All) ..... RK602D
- Internal Auto Drain (All) ..... RK602MD
- Metal Bowl with Sight Gauge (W) ..... RKB605WB

**Specifications**

**Bowl Capacity –**

- Metal (W) ..... 16 Ounces
- Aluminum (E) ..... 32 Ounces

**Port Threads** ..... 1-1/4, 1-1/2 Inch

( ) = Bowl Type

**Pressure & Temperature Ratings –**

- Metal Bowl (W) ..... 0 to 250 PSIG (0 to 17.2 bar)  
 40°F to 150°F (4.4°C to 65.6°C)
- Aluminum Bowl (E) ..... 0 to 300 PSIG (0 to 20.4 bar)  
 40°F to 150°F (4.4°C to 65.6°C)
- With Internal Auto Drain (R) ..... 20 to 175 PSIG (1.4 to 11.9 bar)  
 40°F to 125°F (4.4°C to 52°C)
- With External Auto Drain (Q) ..... 0 to 250 PSIG (0 to 17.2 bar)  
 40°F to 150°F (4.4°C to 65.6°C)

**Weight –**

- Metal Bowl (W) ..... 7 lb. (3.18 kg) / Unit  
 28 lb. (12.70 kg) / 4-Unit Master Pack
- Aluminum Bowl (E) ..... 7.7 lb. (3.49 kg) / Unit  
 31 lb. (14.06 kg) / 4-Unit Master Pack

**Materials of Construction**

- Body** ..... Zinc
- Bowls –**

  - (W) ..... Metal (Zinc) with Sight Gauge
  - (E) ..... Aluminum without Sight Gauge

- Drain –**

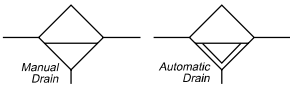
  - Manual Twist & Overnight ..... Brass
  - Housing “R” ..... Acetal
  - Housing “Q” ..... Bronze

- Filter Elements –**

  - 40 Micron (Standard) ..... Polypropylene
  - 5 Micron (Optional) ..... Polypropylene

- Seals** ..... Nitrile
- Sight Gauge** ..... Nylon

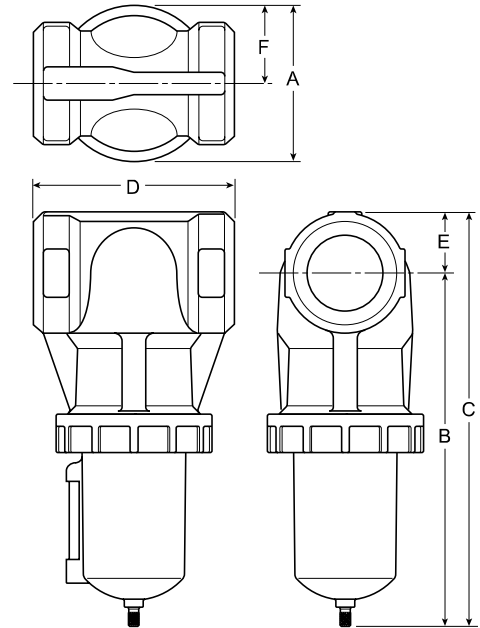
## F602 Standard Filters



### Features

- Excellent Water Removal Efficiency
- For Heavy Duty Applications with Minimum Pressure Drop Requirement
- Unique Deflector Plate that Creates Swirling of the Air Stream Ensuring Maximum Water and Dirt Separation
- Large Filter Element Surface Guarantees Low Pressure Drop and Increased Element Life
- 40 Micron Filter Element Standard, 5 Micron Available
- Metal Bowl with Sight Gauge Standard
- Twist Drain as Standard, Optional Auto Drain
- Large Bowl Capacity
- Optional High Capacity Bowl(s) Available
- High Flow: 2" & 2-1/2" - 1200 SCFM<sup>§</sup>

<sup>§</sup> SCFM = Standard cubic feet per minute at 100 PSIG inlet, and 5 PSIG pressure drop with 40 micron element.



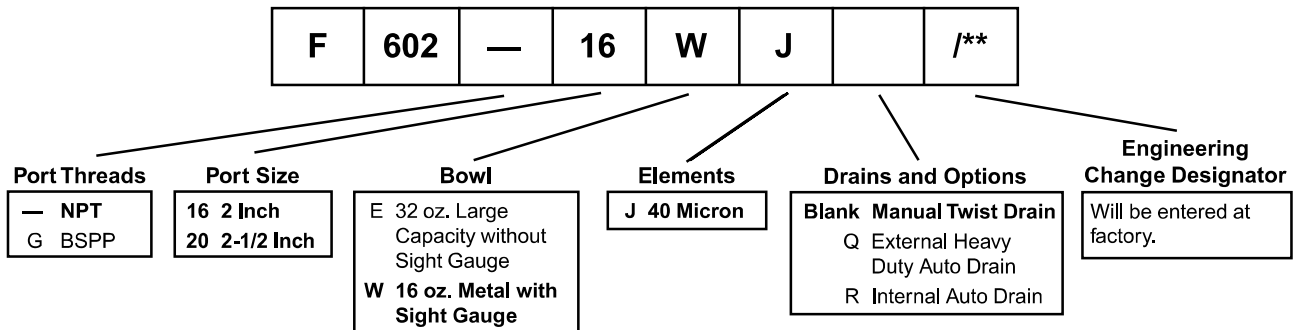
Port Size	NPT		BSPP	
	Manual Twist Drain	Internal Auto Drain	Manual Twist Drain	Internal Auto Drain
<b>Metal Bowl / Sight Gauge</b>				
2"	<b>F602-16WJ</b>	<b>F602-16WJR</b>	F602G16WJ	F602G16WJR
2-1/2"	<b>F602-20WJ</b>	<b>F602-20WJR</b>	F602G20WJ	F602G20WJR
<b>Aluminum Bowl 32 oz. without Sight Gauge</b>				
2"	<b>F602-16EJ</b>	<b>F602-16EJR</b>	F602G16EJ	F602G16EJR
2-1/2"	<b>F602-20EJ</b>	<b>F602-20EJR</b>	F602G20EJ	F602G20EJR

F602 Filter Dimensions					
A	B	C	D	E	F
<b>F602-16W, F602-20W</b>					
6.30 (160)	11.08 (281)	4.90 (124)	6.30 (160)	1.92 (48.7)	2.45 (62.2)
<b>F602-16E, F602-20E</b>					
6.30 (160)	14.36 (365)	4.90 (124)	6.30 (160)	1.92 (48.7)	2.44 (61.9)

inches  
(mm)

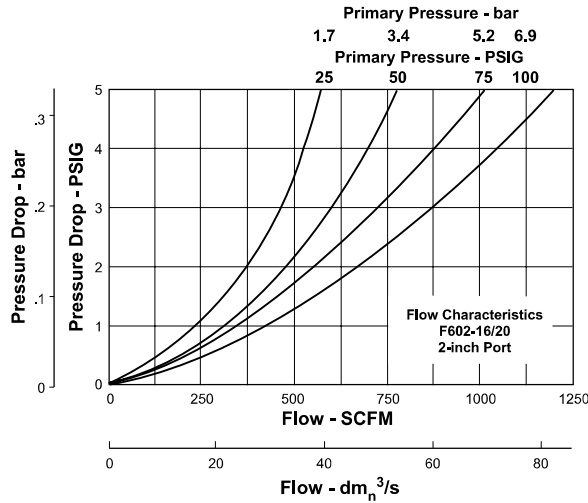
Standard part numbers shown bold.  
 For other models refer to ordering information below.

## Ordering Information



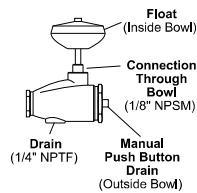
NOTE: BOLD OPTIONS ARE STANDARD.

**Technical Information**



**“Q” Option External Heavy Duty Auto Drain  
 SA602D / SA603D**

For heavy duty applications where the filter is being used to remove large volumes of liquid and/or particulate matter from the airstream, the external automatic drain (“Q” option) should be used.



**F602 Filter Kits & Accessories**

**Bowl Kits –**

- Metal with Sight Gauge (W) ..... BK605WB
- Aluminum (E) ..... BK603B

**Drain Kits –**

- External Auto (W) ..... SA602D
- External Auto (E) ..... SA603D
- Internal Auto (All) ..... SA602MD
- Manual (All) ..... SA600Y7-1
- Semi-Automatic “Overnight” Drain ..... SA602A7  
 (Drains automatically under zero pressure)

**Filter Element Kits –** ..... 40 Micron (All) EK602G

**Repair Kits –**

- Deflector, Baffle Assembly, and Retaining Rod (All) ..... RK602G
- External Auto Drain (All) ..... RK602D
- Internal Auto Drain (All) ..... RK602MD
- Metal Bowl with Sight Gauge (W) ..... RKB605WB

**Specifications**

**Bowl Capacity –**

- Metal (W) ..... 16 Ounces
- Aluminum (E) ..... 32 Ounces

**Port Threads** ..... 2, 2-1/2 Inch

( ) = Bowl Type

**Pressure & Temperature Ratings –**

- Metal Bowl (W) ..... 0 to 250 PSIG (0 to 17.2 bar)  
 40°F to 150°F (4.4°C to 65.6°C)
- Aluminum Bowl (E) ..... 0 to 300 PSIG (0 to 20.4 bar)  
 40°F to 150°F (4.4°C to 65.6°C)
- With Internal Auto Drain (R) ..... 20 to 175 PSIG (1.4 to 11.9 bar)  
 40°F to 125°F (4.4°C to 52°C)
- With External Auto Drain (Q) ..... 0 to 250 PSIG (0 to 17.2 bar)  
 40°F to 150°F (4.4°C to 65.6°C)

**Weight –**

- Metal Bowl (W) ..... 9.8 lb. (4.45 kg) / Unit  
 39 lb. (17.69 kg) / 4-Unit Master Pack
- Aluminum Bowl (E) ..... 10.3 lb. (4.67 kg) / Unit  
 11 lb. (4.99 kg) / 1-Unit Master Pack

**Materials of Construction**

**Body** ..... Aluminum

**Bowls –**

- (W) ..... Metal (Zinc) with Sight Gauge
- (E) ..... Aluminum without Sight Gauge

**Drain –**

- Manual Twist & Overnight ..... Brass
- Housing “R” ..... Acetal
- Housing “Q” ..... Bronze

**Filter Elements –**

40 Micron (Standard) ..... Polypropylene

**Seals** ..... Buna N

**Sight Gauge** ..... Nylon