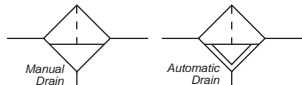
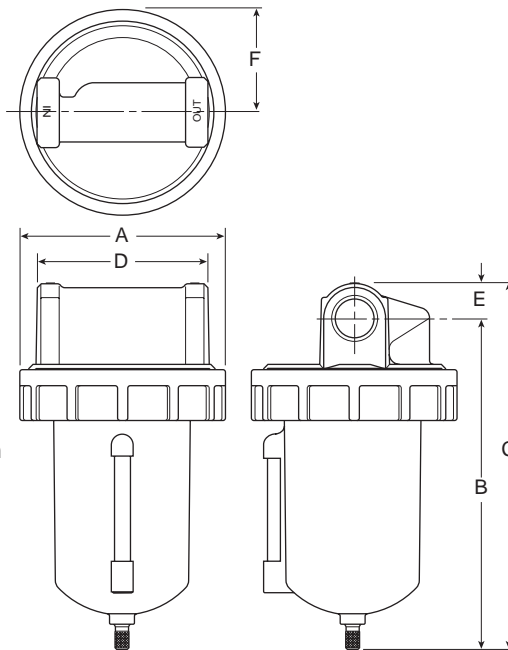


F602 Standard Filters



Features

- Excellent Water Removal Efficiency
- For Heavy Duty Applications with Minimum Pressure Drop Requirement
- Unique Deflector Plate that Creates Swirling of the Air Stream Ensuring Maximum Water and Dirt Separation
- Large Filter Element Surface Guarantees Low Pressure Drop and Increased Element Life
- 40 Micron Filter Element Standard, 5 Micron Available
- Metal Bowl with Sight Gauge Standard
- Twist Drain as Standard, Optional Auto Drain
- Large Bowl Capacity
- Optional High Capacity Bowl(s) Available
- High Flow: 3/4" - 220 SCFM[§]
 1" - 240 SCFM[§]



Port Size	NPT		BSPP	
	Manual Twist Drain	Internal Auto Drain	Manual Twist Drain	Internal Auto Drain
Metal Bowl / Sight Gauge				
3/4"	F602-06WJ	F602-06WJR	F602G06WJ	F602G06WJR
1"	F602-08WJ	F602-08WJR	F602G08WJ	F602G08WJR
Aluminum Bowl 32 oz. without Sight Gauge				
3/4"	F602-06EJ	F602-06EJR	F602G06EJ	F602G06EJR
1"	F602-08EJ	F602-08EJR	F602G08EJ	F602G08EJR

F602 Filter Dimensions					
A	B	C	D	E	F
F602-06W, F602-08W					
4.90 (124)	7.88 (200)	8.72 (221)	4.06 (103)	0.84 (21)	2.45 (62)
F602-06E, F602-08E					
4.90 (124)	11.10 (282)	11.94 (303)	4.06 (103)	0.84 (21)	2.45 (62)

inches
(mm)

Bold Items are Most Popular.

For other models refer to ordering information below.

[§] SCFM = Standard cubic feet per minute at 100 PSIG inlet, and 5 PSIG pressure drop with 40 micron element.

Ordering Information



Port Threads
— NPT
G BSPP

Port Size
06 3/4 Inch
08 1 Inch

Bowl
E 32 oz. Large Capacity without Sight Gauge
W 16 oz. Metal with Sight Gauge

Elements
G 5 Micron
J 40 Micron

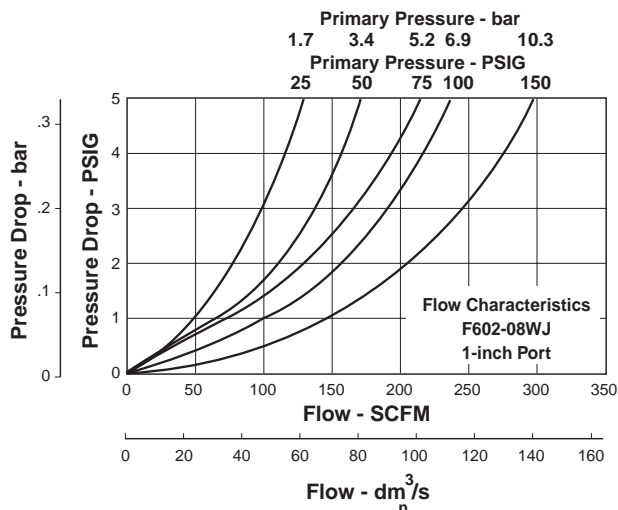
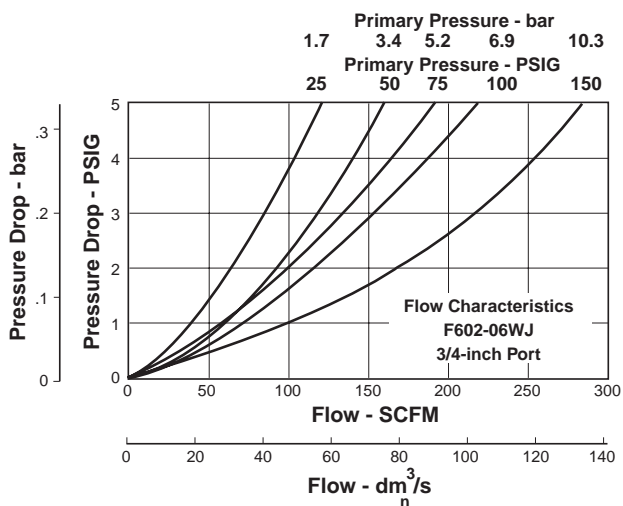
Drains and Options
Blank Manual Twist Drain
Q External Heavy Duty Auto Drain
R Internal Auto Drain
U Semi-Auto Drain

Engineering Change Designator
Will be entered at factory.

BOLD ITEMS ARE MOST POPULAR.

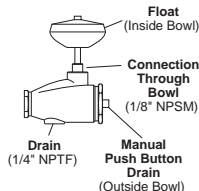


Technical Information



**“Q” Option External Heavy Duty Auto Drain
 SA602D / SA603D**

For heavy duty applications where the filter is being used to remove large volumes of liquid and/or particulate matter from the airstream, the external automatic drain (“Q” option) should be used.



F602 Filter Kits & Accessories

Bowl Kits –

- Metal with Sight Gauge (W)BK605WB
- Aluminum (E) BK603B

Drain Kits –

- External Auto (W)SA602D
- External Auto (E) SA603D
- Internal Auto (All)SA602MD
- Manual (All)SA600Y7-1
- Semi-Automatic “Overnight” Drain SA602A7
 (Drains automatically under zero pressure)

Filter Element Kits –

- 40 Micron (All) EK602B
- 5 Micron (All)EK602VB

Mounting Bracket Kit

(Pair or 2 Kits of Pipe Mounted Brackets needed) –

- (3/4" Unit) SA200AW57
- (1" Unit)SA200CW57

Repair Kits –

- Deflector, Baffle Assembly, and Retaining Rod (E,W) RK602B
- External Auto Drain (All)RK602D
- Internal Auto Drain (All)RK602MD
- Metal Bowl with Sight Gauge (W) RKB605WB

Specifications

Bowl Capacity –

- Metal Bowl (W) 16 Ounces
- Metal Bowl (E) 32 Ounces

Port Threads3/4, 1 Inch

() = BOWL TYPE

Pressure & Temperature Ratings –

- Metal Bowl (W) 0 to 250 PSIG (0 to 17.2 bar)
 40°F to 150°F (4.4°C to 65.6°C)
- Aluminum Bowl (E) 0 to 300 PSIG (0 to 20.4 bar)
 40°F to 150°F (4.4°C to 65.6°C)
- With Internal Auto Drain (R) 20 to 175 PSIG (1.4 to 11.9 bar)
 40°F to 125°F (4.4°C to 52°C)
- With External Auto Drain (Q) 0 to 250 PSIG (0 to 17.2 bar)
 40°F to 150°F (4.4°C to 65.6°C)

Weight –

- Metal Bowl (W) 6.3 lb. (2.86 kg) / Unit
- Metal Bowl (E) 25 lb. (11.34 kg) / 4-Unit Master Pack
- Aluminum Bowl 7 lb. (3.18 kg) / Unit
 28 lb. (12.70 kg) / 4-Unit Master Pack

Materials of Construction

BodyZinc

Bowls –

- Metal Bowl (W) Zinc with Sight Gauge
- Metal Bowl (E) Aluminum without Sight Gauge

Drain –

- Manual Twist & Overnight Brass
- Housing “R” Acetal
- Housing “Q” Bronze

Filter Elements –

- 40 Micron (Standard) Polypropylene
- 5 Micron (Optional) Polypropylene

Seals Nitrile

Sight Gauge Nylon

