



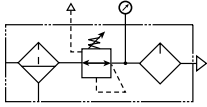
**Model Numbers & Dimensions**

**A**

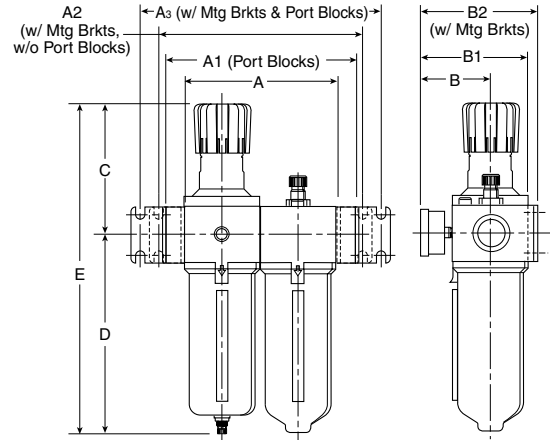
**Modular Combinations – P3N Hi-Flow Series**

- Regulator can be mounted with knob in up or down position.
- See individual component pages for details.

**Two-Unit Combo**



- 40 Micron Filter Element
- Manual Twist Drain
- Relieving Regulator
- 125 PSI (8.6 bar)



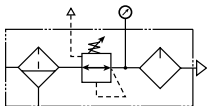
Series	Port	Model Numbers
P3NCA	3/4"	P3NCA96SGMNNLNA
	1"	P3NCA98SGMNNLNA
	1-1/2" †	P3NCA9PSGMNNLNA

A	A1	A2	A3	B	B1	B2
7.24 (184)	9.53 (242)	9.84 (250)	12.13 (308)	3.62 (92)	5.20 (132)	5.74 (146)
C	D	E				
6.38 (162)	9.57 (243)	15.95 (405)				

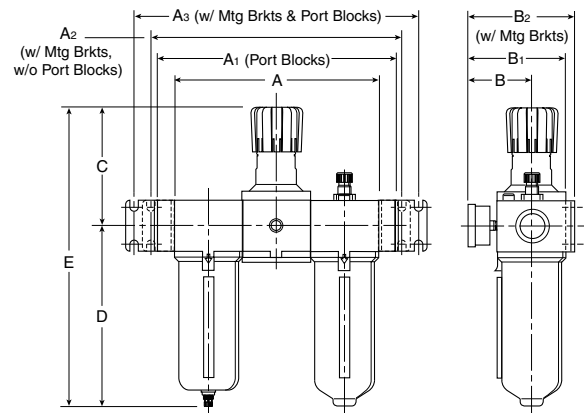
Notes: All Combo part numbers are with regulator knob in up position.  
† 1" Port Body with 1-1/2" Port Block.  
For other models, refer to Ordering Information on next page.

- Inches (mm)
- All dimensions nominal.
  - Mounting brackets not included (change last character in model number to "B" if required).
  - Gauges not included (change 12th character to "G" if required).

**Three-Unit Combo**



- 40 Micron Filter Element
- Manual Twist Drain
- Relieving Regulator
- 125 PSI (8.6 bar)

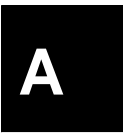


Series	Port	Model Numbers
P3NCB	3/4"	P3NCB96SGMNNLNA
	1"	P3NCB98SGMNNLNA
	1-1/2"†	P3NCB9PSGMNNLNA

A	A1	A2	A3	B	B1	B2
10.87 (2764)	13.15 (334)	13.46 (342)	15.75 (400)	3.62 (92)	5.20 (132)	5.74 (146)
C	D	E				
6.38 (162)	9.57 (243)	15.95 (405)				

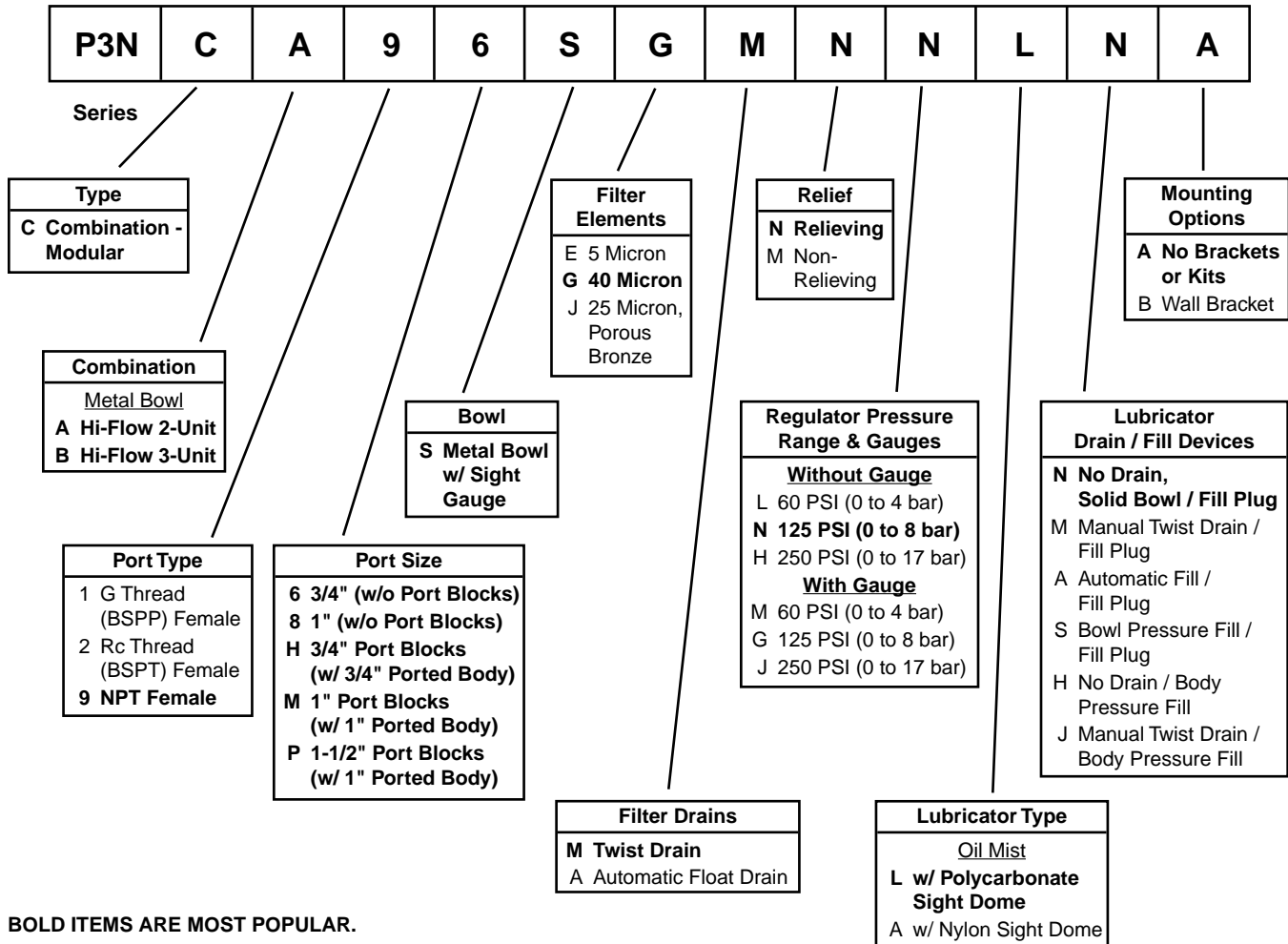
Notes: All Combo part numbers are with regulator knob in up position.  
† 1" Port Body with 1-1/2" Port Block.  
For other models, refer to Ordering Information on next page.

- Inches (mm)
- All dimensions nominal.
  - Mounting brackets not included (change last character in model number to "B" if required).
  - Gauges not included (change 12th character to "G" if required).



**Modular Combinations – P3N Hi-Flow Series**

**Ordering Information**



**BOLD ITEMS ARE MOST POPULAR.**

**CAUTION:**

**REGULATOR PRESSURE ADJUSTMENT** – The working range of knob adjustment is designed to permit outlet pressures within their full range. Pressure adjustment beyond this range is also possible because the knob is not a limiting device. This is a common characteristic of most industrial regulators, and limiting devices may be obtained only by special design.

For best performance, regulated pressure should always be set by increasing the pressure up to the desired setting.

**⚠ WARNING**

**Product rupture can cause serious injury.  
 Do not connect regulator to bottled gas.  
 Do not exceed maximum primary pressure rating.**

**Kits & Accessories** (See individual component sections for other kits and accessories.)

**Port Block Kits: For Modular Combinations**

	3/4"	1"	1-1/2"
NPT .....	P3NKB96CL .....	P3NKB98CL .....	P3NKB9BCL .....
BSPP .....	P3NKB16CL* .....	P3NKB18CL* .....	P3NKB1BCL* .....

**Wall Mounting Kit\*** ..... P3NKA00MW

\* If 1-1/2 BSPP E02 fittings are required, use P3NKA0BMW.

\* 3/4, 1 & 1-1/2 inch meet ISO 1179-1 Standard.